


TN-17-11-001 R5 March 31, 2023		Tesla, Inc. Tech Notes
<b>Model:</b>	<b>Vehicle System:</b>	<b>Region:</b>
Model S	11 - Closures	All

## Replacing Model S Exterior Door Handles

Tech Notes are announcements that help to communicate new information about Tesla Service. These instructions assume knowledge of motor vehicle and, if applicable, high voltage electrical component repairs, and should only be executed by trained professionals. Tesla assumes no liability for injury or property damage due to a failure to properly follow these instructions or for repairs attempted by unqualified individuals.

*This Tech Note supersedes TN-17-11-001 R4, dated 12-Jun-20. Each content change is marked by a vertical line in the left margin. Discard the previous version and replace it with this one.*

There are several generations (versions) of Model S door handle assemblies currently in service. When the vehicle was built, the original door handle assembly installed in the vehicle is as follows:

Vehicle Built	Original Door Handle Assembly
Through October 26, 2016	Generation 2.0: <ul style="list-style-type: none"> <li>• Front (Figure 1)</li> <li>• Rear (Figure 5)</li> </ul>
October 26, 2016 to July 24, 2017	Generation 2.5: <ul style="list-style-type: none"> <li>• Front (Figure 3)</li> <li>• Rear (Figure 7)</li> </ul>
After July 24, 2017	Generation 3: <ul style="list-style-type: none"> <li>• Front (Figure 4)</li> <li>• Rear (Figure 8)</li> </ul>

In the event of a door handle failure or damage to the door handle assembly, it is necessary to either replace the door handle assembly or to install a newer generation door handle assembly into the vehicle's current door shell. The parts needed to replace an exterior door handle on Model S depend on the door handle assembly currently installed in the vehicle. See "[Replacing Only the Door Handle Assembly](#)" on page 2 for more information.

If door shell replacement is required, it is necessary to either transfer the vehicle's currently installed door handle assembly into the new door or to install a new generation door handle assembly in the new door. See "[When Replacing the Entire Door](#)" on page 14 for more information.

# Replacing Only the Door Handle Assembly

The currently installed door handle assembly generation can be replaced, but in order to install the correct replacement door handle assembly, the currently installed assembly must be identified. There are two ways to identify the currently installed door handle assembly:

1. Using the Diagnose Closures Issues network, which is accessed through the Toolbox Autodiag function.
2. Visually.

## Using AUTODIAG

Using Autodiag to identify the external door handle in a Model S requires access to the Diagnose Closures Issues network. If you cannot access to the Diagnostic Closures Issues network, identify the external door handle using the “[Visual Identification](#)” procedure on page 3.

To identify the front door handle assembly currently in the vehicle:

1. Open Toolbox 3.
2. Click **Actions/Autodiag**, and then type "CLOSURES" in the search field.
3. Select the **Diagnose Closures Issues** network.
4. Verify or enter the VIN.
  - If the VIN is automatically populated in the Enter Product ID field, make sure it is correct.
  - If the VIN is not automatically populated, enter the complete VIN in the Enter Product ID field.
5. Click **Run Network**.
6. Identify the door handle for the handle to be repaired or replaced.

Review the **Door Handle Information** portion of the **Diagnosis Summary**. The Door Handle Info section includes both the handle version and the handle generation for each door handle, and will look similar to the following:

```
DF Handle Version:2.237.11
DF Handle Generation: Gen 2.1
```

7. Identify the generation of the door handle to be repaired or replaced:
  - DF= Driver Side Front
  - DR =Driver Side Rear
  - PF = Passenger Side Front
  - PR =Passenger Side Rear



**Note:** The information described above applies to both LHD and RHD vehicles.

For door handle assembly retrofit instructions, see the table “[Door Handle Assembly Replacement](#)” on page 5, and choose the appropriate door handle to install in the vehicle.

## Visual Identification

To identify the front door handle assembly currently in the vehicle:

1. Remove the door trim panel:
  - Front doors: Refer to Service Manual procedure [15130201](#).
  - Rear doors: Refer to Service Manual procedure [15132001](#).
2. Look at the back (inboard) side of the door handle assembly.
3. Use the images below to identify the door handle assembly.

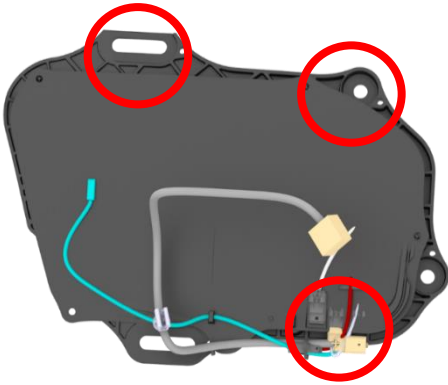


Figure 1 (Generation 2.0 Front Door Handle Assembly)

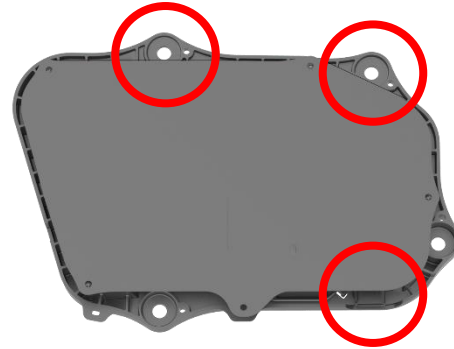


Figure 2 (Generation 2.1 Front Door Handle Assembly)

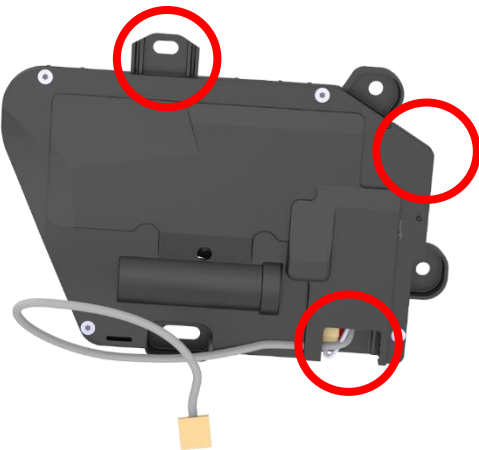


Figure 3 (Generation 2.5 Front Door Handle Assembly)

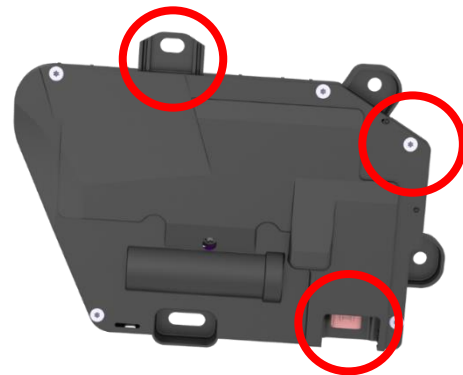


Figure 4 (Generation 3.0 Front Door Handle Assembly)

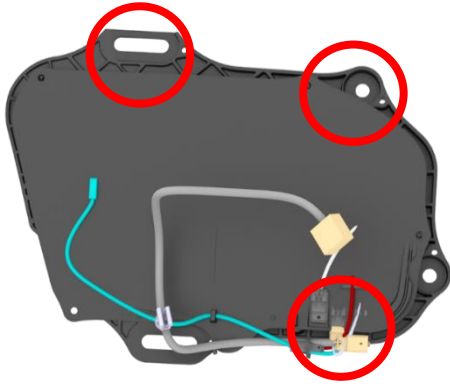


Figure 5 (Generation 2.0 Rear Door Handle Assembly)

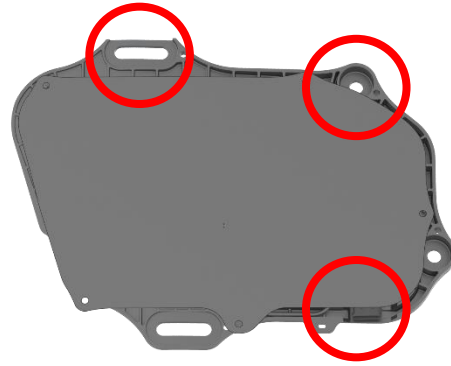


Figure 6 (Generation 2.1 Rear Door Handle Assembly)

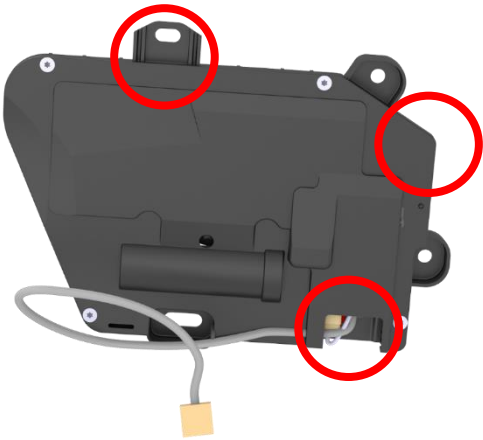


Figure 7 (Generation 2.5 Rear Door Handle Assembly)

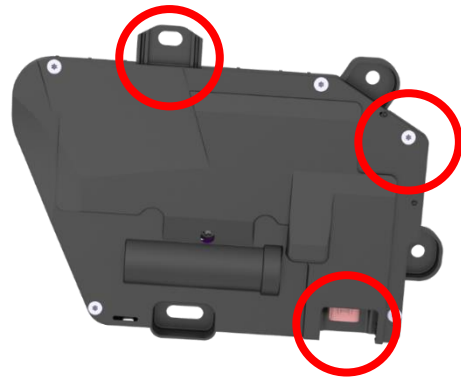



Figure 8 (Generation 3.0 Rear Door Handle Assembly)


## Parts Required for Door Handle Assembly Replacement

After identifying the current door handle generation, use the following table to order the correct replacement door handle assembly.


Door Handle Assembly Replacement		
Handle Assembly Currently In Vehicle	Replacement Handle Assembly	Handle Assembly Replacement Instructions
Generation 2.0 (Figure 1 and Figure 5)	Generation 2.1 (Figure 2 and Figure 6)	Order a Generation 2.1 door handle assembly and associated parts. Refer to the “ <a href="#">Parts Required to Replace a Generation 2.0 Door Handle Assembly</a> ” section of this document for more information. Replace the door handle assembly: <ul style="list-style-type: none"> <li>• Front doors: Refer to Service Manual procedure <a href="#">11451016</a>.</li> <li>• Rear doors: Refer to Service Manual procedure <a href="#">11452016</a>.</li> </ul>
Generation 2.1 (Figure 2 and Figure 6)	Generation 2.1 (Figure 2 and Figure 6)	Order only a Generation 2.1 door handle assembly (no other parts should be required). Replace the door handle assembly according to the installation instructions in: <ul style="list-style-type: none"> <li>• Front doors: Refer to Service Manual procedure <a href="#">11451016</a>.</li> <li>• Rear doors: Refer to Service Manual procedure <a href="#">11452016</a>.</li> </ul>
Generation 2.5 (Figure 3 and Figure 7)	Generation 3 (Figure 4 and Figure 8)	Order a Generation 3 door handle assembly and associated parts. Refer to the “ <a href="#">Parts Required to Replace a Generation 2.5 Door Handle Assembly</a> ” section of this document for more information. Replace the door handle assembly: <ul style="list-style-type: none"> <li>• Front doors: Refer to Service Manual procedure <a href="#">11451006</a>.</li> <li>• Rear doors: Refer to Service Manual procedure <a href="#">11452006</a>.</li> </ul>
Generation 3 (Figure 4 and Figure 8)	Generation 3 (Figure 4 and Figure 8)	Order only a Generation 3 door handle assembly (no other parts should be required). Replace the door handle assembly: <ul style="list-style-type: none"> <li>• Front doors: Refer to Service Manual procedure <a href="#">11451012</a>.</li> <li>• Rear doors: Refer to Service Manual procedure <a href="#">11452012</a>.</li> </ul>

 **Note:** The parts to order to replace an exterior door handle on Model S depend on the door handle assembly currently installed in the vehicle.

## Parts Required to Replace a Generation 2.0 Door Handle Assembly

 **NOTE:** Generation 2.0 door handles are no longer available. To replace a Generation 2.0 door handle, retrofit a Generation 2.1 door handle assembly into a the door.


To retrofit a Generation 2.1 door handle assembly into a door that has a Generation 2.0 door handle assembly, parts other than the door handle assembly are required.

 **NOTE:** When replacing a single Generation 2.0 door handle assembly in the vehicle, it is not necessary to replace any other door handle assemblies. Each door in Model S can use a different generation of door handle.

### Generation 2.1 Front LH Door Handle Assembly Parts Required


For instructions on how to perform the retrofit procedure, refer to Service Manual procedure [11451016](#).

Part Number	Quantity	Description	Notes
1135718-S0-A	1	ASY- FR LEFT HAND, GEN2.1 DH, NOGRIP, SVC RPL	
1008999-00-E	1	BACK SEAL, DOOR HANDLE OUTER, LH	
1009289-00-B	1	SCR PF 50x12 DELTA PT STL ZNNI	
1037847-00-D	1	ASY PLATE, FR DOOR, LH	
1067906-00-A	4	PUSH-NUT 5/32"x"7/64"x"/32"	"
1069106-00-B	1	JUMPER,DH3.0,FRONT	
1069651-00-D	1	ASSEMBLY, DOOR HANDLE 3.0 CTRLR	
1109173-00-A	1	LED ASY, DOOR HANDLE 3.0 OUTER LH	If previous door handle is equipped with LED
1118491-00-A	1	SEALED CONNECTOR PLUG, LED	If not equipped with LED (base handle). If the plug is not available, tape can be used to seal the connector cavity instead.
1052476-00-A	2	SPACER, GRIP, EXT DIE CAST DOOR HANDLE	Used only when reusing a metal grip from the original handle.
1052477-00-A	1	SPACER, GRIP, EXT DIE CAST DOOR HANDLE	Used only when reusing a metal grip from the original handle.


 **NOTE:** These part numbers were current at the time of publication. Use the revisions listed or later, unless otherwise specified in the [Parts Manual](#).

## Generation 2.1 Front RH Door Handle Assembly Parts Required

For instructions on how to perform the retrofit procedure, refer to Service Manual procedure [11451016](#).

 **NOTE:** When servicing the RH side, use correction code 11451116 for billing.


Part Number	Quantity	Description	Notes
1135725-S0-A	1	ASY- FR RIGHT HAND, GEN2.1 DH, NOGRIP, SVC RPL	
1009289-00-B	1	SCREW PF 50x12 DELTA PT	
1021114-00-E	1	BACK SEAL, DOOR HANDLE OUTER, RH	
1037846-00-D	1	PLATE - FRONT DOOR LOWER, RIGHT - ELASTIC	
1067906-00-A	4	PUSH-NUT 5/32x17/64x1/32"	
1069106-00-B	1	JUMPER, DH3.0, FRONT	
1069651-00-D	1	ASSEMBLY, DOOR HANDLE 3.0 CTRL	
1109174-00-A	1	LED ASY, DOOR HANDLE 3.0 OUTER RH	If previous door handle is equipped with LED
1118491-00-A	1	SEALED CONNECTOR PLUG, LED	If not equipped with LED (base handle). If the plug is not available, tape can be used to seal the connector cavity instead.
1052476-00-A	2	SPACER, GRIP, EXT DIE CAST DOOR HANDLE	Used only when reusing a metal grip from the original handle.
1052477-00-A	1	SPACER, GRIP, EXT DIE CAST DOOR HANDLE	Used only when reusing a metal grip from the original handle.

 **NOTE:** These part numbers were current at the time of publication. Use the revisions listed or later, unless otherwise specified in the [Parts Manual](#).

## Generation 2.1 Rear LH Door Handle Assembly Parts Required

For instructions on how to perform the retrofit procedure, refer to Service Manual procedure [11452016](#).


Part Number	Quantity	Description	Notes
1135722-S0-A	1	ASY- RR LEFT HAND, GEN2.1 DH, NOGRIP, SVC RPL	
1008999-00-E	1	BACK SEAL, DOOR HANDLE OUTER, LH	
1009289-00-B	1	SCR PF 50x12 DELTA PT STL ZNNI	
1015888-00-C	5	BLT,BTN,TRX,M5x16[10.9]-BK-X-SP-05	
1037045-00-A	5	Rivet Nut, M5x0.8, GRIP 0.5-3.3	
1064363-00-A	1	PLATE, RR DOOR, LH	
1067906-00-A	3	PUSH-NUT 5/32"x7/64"x7/32"	"
1069106-01-B	1	JUMPER,DH3.0 JUMPER,REAR	
1069651-00-D	1	ASSEMBLY, DOOR HANDLE 3.0 CTRLR	
1109173-00-A	1	LED ASY, DOOR HANDLE 3.0 OUTER LH	If previous door handle is equipped with LED
1118491-00-A	1	SEALED CONNECTOR PLUG, LED	If not equipped with LED (base handle). If the plug is not available, tape can be used to seal the connector cavity instead.
1052476-00-A	2	SPACER, GRIP, EXT DIE CAST DOOR HANDLE	Used only when reusing a metal grip from the original handle.
1052477-00-A	1	SPACER, GRIP, EXT DIE CAST DOOR HANDLE	Used only when reusing a metal grip from the original handle.

 **NOTE:** These part numbers were current at the time of publication. Use the revisions listed or later, unless otherwise specified in the [Parts Manual](#).




## Generation 2.1 Rear RH Door Handle Assembly Parts Required


For instructions on how to perform the retrofit procedure, refer to Service Manual procedure [11452016](#).

 **NOTE:** When servicing the RH side, use correction code 11452116 for billing.


Part Number	Quantity	Description	Notes
1135723-S0-A	1	ASY- RR RIGHT HAND, GEN2.1 DH, NOGRIP, SVC RPL	
1009289-00-B	1	SCR PF 50x12 DELTA PT STL ZNNI	
1015888-00-C	5	BLT,BTN,TRX,M5x16[10.9]-BK-X-SP-05	
1021114-00-E	1	BACK SEAL, DOOR HANDLE OUTER, RH	
1037045-00-A	5	Rivet Nut, M5x0.8, GRIP 0.5-3.3	
1067906-00-A	3	PUSH-NUT 5/32"x"7/64"x"/32"	"
1067943-00-A	1	PLATE, RR DOOR, RH	
1069106-01-B	1	JUMPER,DH3.0 JUMPER,REAR	
1069651-00-D	1	ASSEMBLY, DOOR HANDLE 3.0 CTRLR	
1109174-00-A	1	LED ASY, DOOR HANDLE 3.0 OUTER RH	If previous door handle is equipped with LED
1118491-00-A	1	SEALED CONNECTOR PLUG, LED	If not equipped with LED (base handle). If the plug is not available, tape can be used to seal the connector cavity instead.
1052476-00-A	2	SPACER, GRIP, EXT DIE CAST DOOR HANDLE	Used only when reusing a metal grip from the original handle.
1052477-00-A	1	SPACER, GRIP, EXT DIE CAST DOOR HANDLE	Used only when reusing a metal grip from the original handle.

 **NOTE:** These part numbers were current at the time of publication. Use the revisions listed or later, unless otherwise specified in the [Parts Manual](#).

## Parts Required to Replace a Generation 2.5 Door Handle Assembly

 **NOTE:** Generation 2.5 door handles are no longer available. To replace a Generation 2.5 door handle, retrofit a Generation 3.0 door handle assembly into a the door.


To retrofit a Generation 3.0 door handle assembly into a door that has a Generation 2.5 door handle assembly, parts other than the door handle assembly are required. Use the tables below to identify the required parts to order.

 **NOTE:** When replacing a single Generation 2.5 door handle assembly in the vehicle, it is not necessary to replace any other door handle assemblies. Each door in Model S can use a different generation of door handle.

### Generation 3 Front LH Door Handle Assembly Parts Required

For instructions on how to perform the retrofit procedure, refer to Service Manual procedure [11451006](#).

Part Number	Quantity	Description	Notes
1100299-S0-A	1	ASSY – EXT HANDLE, LH, GEN 3, NO GRIP, SVC	
1069106-00-B	1	JUMPER,DH3.0,FRONT	
1063215-00-B	1	HARD COVER, EXT. DOOR HANDLE, LH	
1069651-00-C	1	ASSEMBLY, DOOR HANDLE 3.0 CTRLR	
1037847-00-D	1	ASY PLATE, FR DOOR, LH	
1109173-00-A	1	LED ASY, DOOR HANDLE 3.0 OUTER LH	
1015888-00-C	6	BLT,BTN,TRX,M5x16[10.9]-BK-X-SP-05	
1069401-00-A	5	SCREW,FC,50x15,STL,ZNNI,DELTAPT	
1009289-00-B	1	SCREW,PF,50x12, DELTA PT	
1016456-00-B	4	WSHR,6.0x18x1.6mm, EPOXY	
1052476-00-A	2	SPACER, GRIP, EXT DIE CAST DOOR HANDLE	Used only when reusing a metal grip from the original handle.
1052477-00-A	1	SPACER, GRIP, EXT DIE CAST DOOR HANDLE	Used only when reusing a metal grip from the original handle.

 **NOTE:** These part numbers were current at the time of publication. Use the revisions listed or later, unless otherwise specified in the [Parts Manual](#).

## Generation 3 Front RH Door Handle Assembly Parts Required

For instructions on how to perform the retrofit procedure, refer to Service Manual procedure [11451006](#).



**NOTE:** When servicing the RH side, use correction code 11451106 for billing.

Part Number	Quantity	Description	Notes
1100300-S0-A	1	ASSY – EXT HANDLE, RH, GEN 3, NO GRIP, SVC	
1069106-00-B	1	JUMPER,DH3.0,FRONT	
1064744-00-B	1	HARD COVER, EXT. DOOR HANDLE, RH	
1069651-00-C	1	ASSEMBLY, DOOR HANDLE 3.0 CTRLR	
1037846-00-D	1	ASY PLATE, FR DOOR, RH	
1109174-00-A	1	LED ASY, DOOR HANDLE 3.0 OUTER RH	
1015888-00-C	6	BLT,BTN,TRX,M5x16[10.9]-BK-X-SP-04	
1069401-00-A	5	SCREW,FC,50x15,STL,ZNNI,DELTAPT	
1009289-00-B	1	SCREW,PF,50x12, DELTA PT	
1016456-00-B	4	WSHR,6.0x18x1.6mm, EPOXY	
1052476-00-A	2	SPACER, GRIP, EXT DIE CAST DOOR HANDLE	Used only when reusing a metal grip from the original handle.
1052477-00-A	1	SPACER, GRIP, EXT DIE CAST DOOR HANDLE	Used only when reusing a metal grip from the original handle.




**NOTE:** These part numbers were current at the time of publication. Use the revisions listed or later, unless otherwise specified in the [Parts Manual](#).

## Generation 3 Rear LH Door Handle Assembly Parts Required

For instructions on how to perform the retrofit procedure, refer to Service Manual procedure [11452006](#).

Part Number	Quantity	Description	Notes
1100299-S0-A	1	ASSY – EXT HANDLE, LH, GEN 3, NO GRIP, SVC	
1069106-01-B	1	JUMPER,DH3.0 JUMPER,REAR	
1063215-00-B	1	HARD COVER, EXT. DOOR HANDLE, LH	
1069651-00-C	1	ASSEMBLY, DOOR HANDLE 3.0 CTRLR	
1064363-00-A	1	PLATE, RR DOOR, LH	
1109173-00-A	1	LED ASY, DOOR HANDLE 3.0 OUTER LH	
1015888-00-C	6	BLT,BTN,TRX,M5x16[10.9]-BK-X-SP-04	
1069401-00-A	5	SCREW,FC,50x15,STL,ZNNI,DELTA PT	
1009289-00-B	1	SCREW,PF,50x12, ,DELTA PT	
1016456-00-B	4	WSHR,6.0x18x1.6mm, EPOXY	
1052476-00-A	2	SPACER, GRIP, EXT DIE CAST DOOR HANDLE	Used only when reusing a metal grip from the original handle.
1052477-00-A	1	SPACER, GRIP, EXT DIE CAST DOOR HANDLE	Used only when reusing a metal grip from the original handle.
1037045-00-A	5	Rivet Nut, M5x0.8, GRIP 0.5-3.2	

 **NOTE:** These part numbers were current at the time of publication. Use the revisions listed or later, unless otherwise specified in the [Parts Manual](#).

## Generation 3 Rear RH Door Handle Assembly Parts Required

For instructions on how to perform the retrofit procedure, refer to Service Manual procedure [11452006](#).



**NOTE:** When servicing the RH side, use correction code 11452106 for billing.

Part Number	Quantity	Description	Notes
1100300-S0-A	1	ASSY – EXT HANDLE, RH, GEN 3, NO GRIP, SVC	
1069106-01-B	1	JUMPER,DH3.0 JUMPER,REAR	
1064744-00-B	1	HARD COVER, EXT. DOOR HANDLE, RH	
1069651-00-C	1	ASSEMBLY, DOOR HANDLE 3.0 CTRLR	
1067943-00-A	1	PLATE, RR DOOR, RH	
1109174-00-A	1	LED ASY, DOOR HANDLE 3.0 OUTER RH	
1015888-00-C	6	BLT,BTN,TRX,M5x16[10.9]-BK-X-SP-04	
1069401-00-A	5	SCREW,FC,50x15,STL,ZNNI,DELTAPT	
1009289-00-B	1	SCREW,PF,50x12, ,DELTA PT	
1016456-00-B	4	WSHR,6.0x18x1.6mm, EPOXY	
1052476-00-A	2	SPACER, GRIP, EXT DIE CAST DOOR HANDLE	Used only when reusing a metal grip from the original handle.
1052477-00-A	1	SPACER, GRIP, EXT DIE CAST DOOR HANDLE	Used only when reusing a metal grip from the original handle.
1037045-00-A	5	Rivet Nut, M5x0.8, GRIP 0.5-3.2	

**NOTE:** These part numbers were current at the time of publication. Use the revisions listed or later, unless otherwise specified in the [Parts Manual](#).

## When Replacing the Entire Door

Doors originally built through October 26, 2016 are different from doors built after October 26, 2016 in the inner door structure and in the door handle mounting points (circled in red in the figures below).

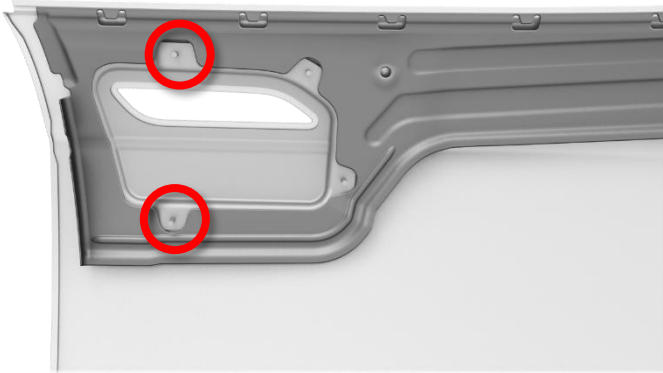


Figure 9 (LH front door for vehicles built through October 26, 2016, trim removed)

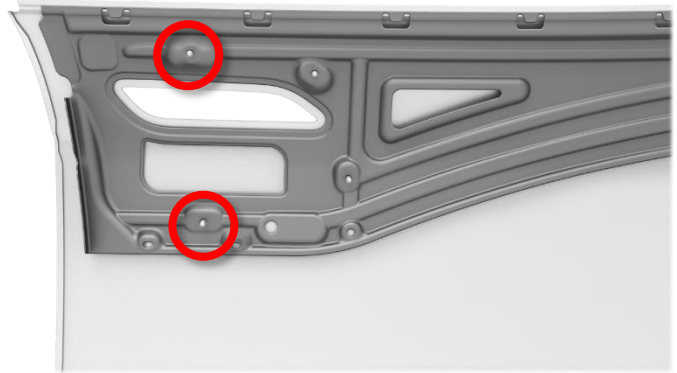


Figure 10 (LH front door for vehicles built after October 26, 2016, trim removed)

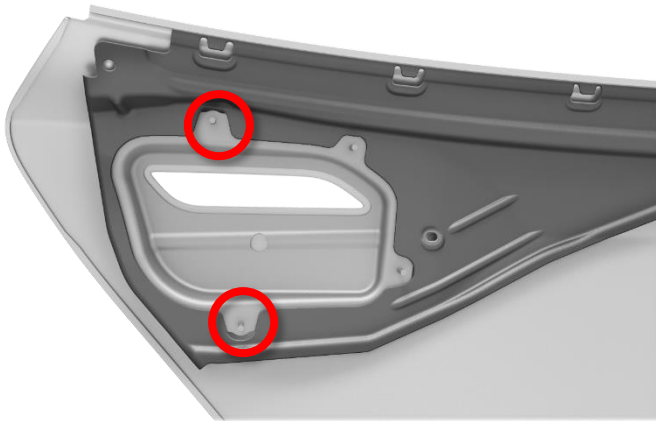


Figure 11 (LH rear door for vehicles built through October 26, 2016, trim removed)

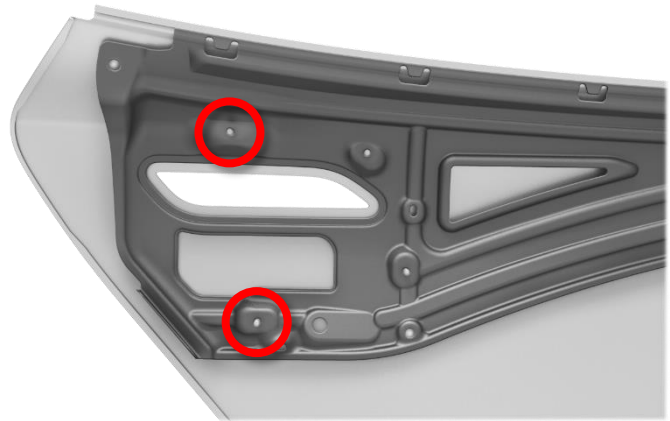


Figure 12 (LH rear door for vehicles built after October 26, 2016, trim removed)

**Note:** Doors that have the same inner door structure and door handle mounting points as the doors originally installed on vehicles built through October 26, 2016 are no longer being produced and cannot be ordered.

When replacing a door, determine if the door handle must be replaced using the following table:

Door Being Replaced	Door Handle Assembly Functional	Action
Built through October 26, 2016	Not applicable. (New doors require a Generation 3.0 handle.)	Install a Generation 3.0 handle. See <a href="#">“Parts Required to Replace a Generation 2.5 Door Handle Assembly”</a> for part ordering information.
Built after October 26, 2016	Yes	Reuse the existing handle. Transfer the door handle assembly into the new door.
	No	Install a Generation 3.0 handle. See <a href="#">“Parts Required to Replace a Generation 2.5 Door Handle Assembly”</a> for part ordering information.

For feedback on the accuracy of this document, email [ServiceBulletinFeedback@tesla.com](mailto:ServiceBulletinFeedback@tesla.com).