

PROJECT NAME: Model S Wiring Diagram: LHD		PHASE: SOP(2012)
SHEET NAME: Legend		
ITEM NO. 1004573-00-D	REVISION: 09 (final)	DATE: 5/13/2014
DO NOT SCALE		SHEET 1.2

THE INFORMATION CONTAINED HEREIN IS DEEMED TO BE CONFIDENTIAL, PROPRIETARY, AND A TRADE SECRET OF TESLA MOTORS. THIS INFORMATION MAY NOT BE USED, REPRODUCED, OR DISCLOSED AS THE DIRECT OR INDIRECT BASIS FOR THE DEVELOPMENT, MANUFACTURE, OR SALE OF PROCESSES OR PRODUCTS WITHOUT THE EXPRESSED WRITTEN CONSENT OF TESLA MOTORS.

Table 1: Abbreviations

LF	Left Front	RC	Right Child (rear-facing)
RF	Right Front	MF	Middle Front
LR	Left Rear	-	-
RR	Right Rear	-	-
LC	Left Child (rear-facing)	-	-

Table 2: Multi-way Connector Designators

LFDHC	LF Door Harness Connector	CCHC	Center Console Harness Connector
LRDHC	LR Door Harness Connector	IPHC(L/R)	Instrument Panel Harness Conenctor (Left/Right)
RFDHC	RF Door Harness Connector	RSFHC	Rear Subframe harness connector
RRDHC	RR Door Harness Connector	-	-
TGHC	TailGate Harness Connector	-	-

Table 3: Harness Designators

A	Body Harness, Left Floor	N	Front Harness, Right Side
B	Body Harness, Right Floor	P	Front Passenger (RF) Door Harness
C	Center Console	Q	Front Harness, Left side
D	Driver (LF) Door Harness	R	LR Door Harness
E	Sunroof Subsystem Harness	S	RR Door Harness
F	Front Bumper Harness	T	Tailgate Harness - Right
G	Rear Bumper Harness	U	Tailgate Harness - Left
H	High Voltage Wiring (for reference only)	V	HVAC Unit Subharness (part of assembly)
J	Instrument Panel (Dashpad) Harness	W	Steering Wheel Harness (from Clockspring out)
K	Headliner	X	Rear subframe subharness
L	Front End Module	Y	tbd
M	Main Harness, Lower IP and Front Trunk area	Z	Single Cables - Each circuit is a separate assembly

Table 4: Wire Color Designators

BK	Black	LB	Light Blue	RD	Red	NA	coax-center
BR	Brown	LG	Light Green	TN	Tan	SH	coax-shield
DB	Dark Blue	OR	Orange	WH	White	-	-
DG	Dark Green	PK	Pink	YL	Yellow	-	-
GY	Gray	PU	Purple			-	-

Striped wires are indicated by base-color code "-" then stripe color code.
 "BR-BK" indicates a brown wire with a black stripe.

Table 5: Wire Type Designators

TWP	SAE J1128 TWP : thin-wall 105C rated	TXL	SAE J1128 TXL : thin-wall 125C rated
STX	SAE J1127 STX : thin-wall 125C rated	SGX	SAE J1127 SGX : general purpose 125C rated
-f	flexible type (add to any type) = small strand	RFXFA	SAE J1128 TXL-f: thin-wall high-flex 125C rated

General Notes:

- Document is formatted to print on 8.5" x 11" paper. (similar to A4)
- Switches [Relays] are shown in their inactive [de-energized] state.
- Splices may be split across pages for visual clarity with respect to the function displayed on the particular page.
- Some connectors are split across multiple pages for clarity. There is no overall reference in this document for the signals routed to a specific connector.
- Wire sizes are specified in mm² cross-sectional area (CSA) per SAE 1127/8

Size Shown	Wire Specification Usage
0.22	SAE 0.22 / 24AWG
0.35	SAE 0.35 / 22AWG
0.5	SAE 0.5 / 20 AWG
0.75	SAE 0.8 / 18AWG
1.0	SAE 1.0 / 16AWG
2.0	SAE 2.0 / 14AWG
3.0	SAE 3.0 / 12AWG
5.0	SAE 5.0 / 10AWG
8.0	SAE 8.0 / 8AWG
13.0	SAE 13.0 / 6AWG
20.0	SAE 19.0 / 4AWG
32.0	SAE 32.0 / 2AWG
- Wire specification: 60V, thin-wall PVC (SAE TWP type or equivalent), unless otherwise specified in wire label. See sheet 1.2 for a description of how the wire types are shown in the wire label. See sheet 43 for further details and to correlate specific cabling types to harness application. Twisted pairs may be manufactured of above wire by harness manufacturer.

P=30mm +/-5mm for CSA<=1.0
P=60mm +/-5mm for CSA>1.0

PRM1	PARAM	WireType	Default	TWP
------	-------	----------	---------	-----
- Unless otherwise specified, terminal plating is to be Tin or Pre-Tin
- For connectors with multiple instances of the same wire color in a similar or the same size, the terminal may not be inserted into the exact cavity specified. This applies only to joint connectors in the G### range or X700-X799 range, where the wires are connected together internally by the joint connector.
- Inline conenctor gender specification is based on the terminal type. Inline connectors with "M" suffix have male, tab or pin terminals. Inline connectors with "F" suffix have female, receptacle or socket terminals



PROJECT NAME: Model S Wiring Diagram: LHD PHASE: SOP(2012)

SHEET NAME: Notes, Abbreviations, etc.

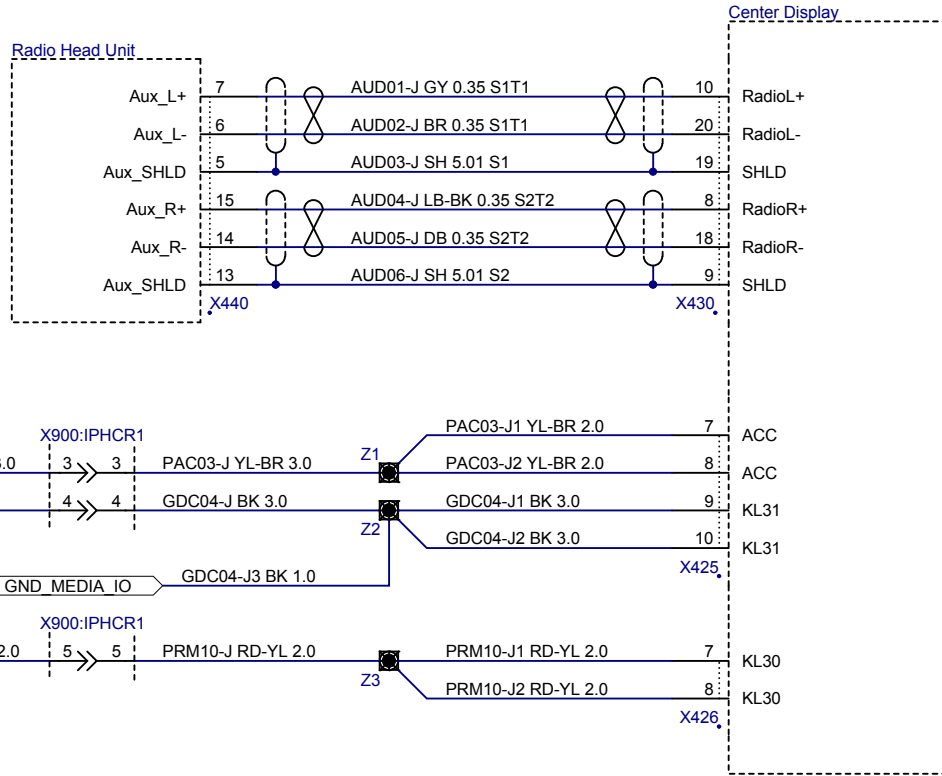
ITEM NO. 1004573-00-D REVISION: 09 (final) DATE: 5/13/2014

DO NOT SCALE

SHEET 1.3

THE INFORMATION CONTAINED HEREIN IS DEEMED TO BE CONFIDENTIAL, PROPRIETARY, AND A TRADE SECRET OF TESLA MOTORS. THIS INFORMATION MAY NOT BE USED, REPRODUCED, OR DISCLOSED AS THE DIRECT OR INDIRECT BASIS FOR THE DEVELOPMENT, MANUFACTURE, OR SALE OF PROCESSES OR PRODUCTS WITHOUT THE EXPRESSED WRITTEN CONSENT OF TESLA MOTORS.

X430, X440 UNSEALED shield terminations



PROJECT NAME: Model S Wiring Diagram: LHD PHASE: SOP(2012)

SHEET NAME: Audio Wiring - Base - Power / Line-In

ITEM NO. 1004573-00-D REVISION: 09 (final) DATE: 5/13/2014

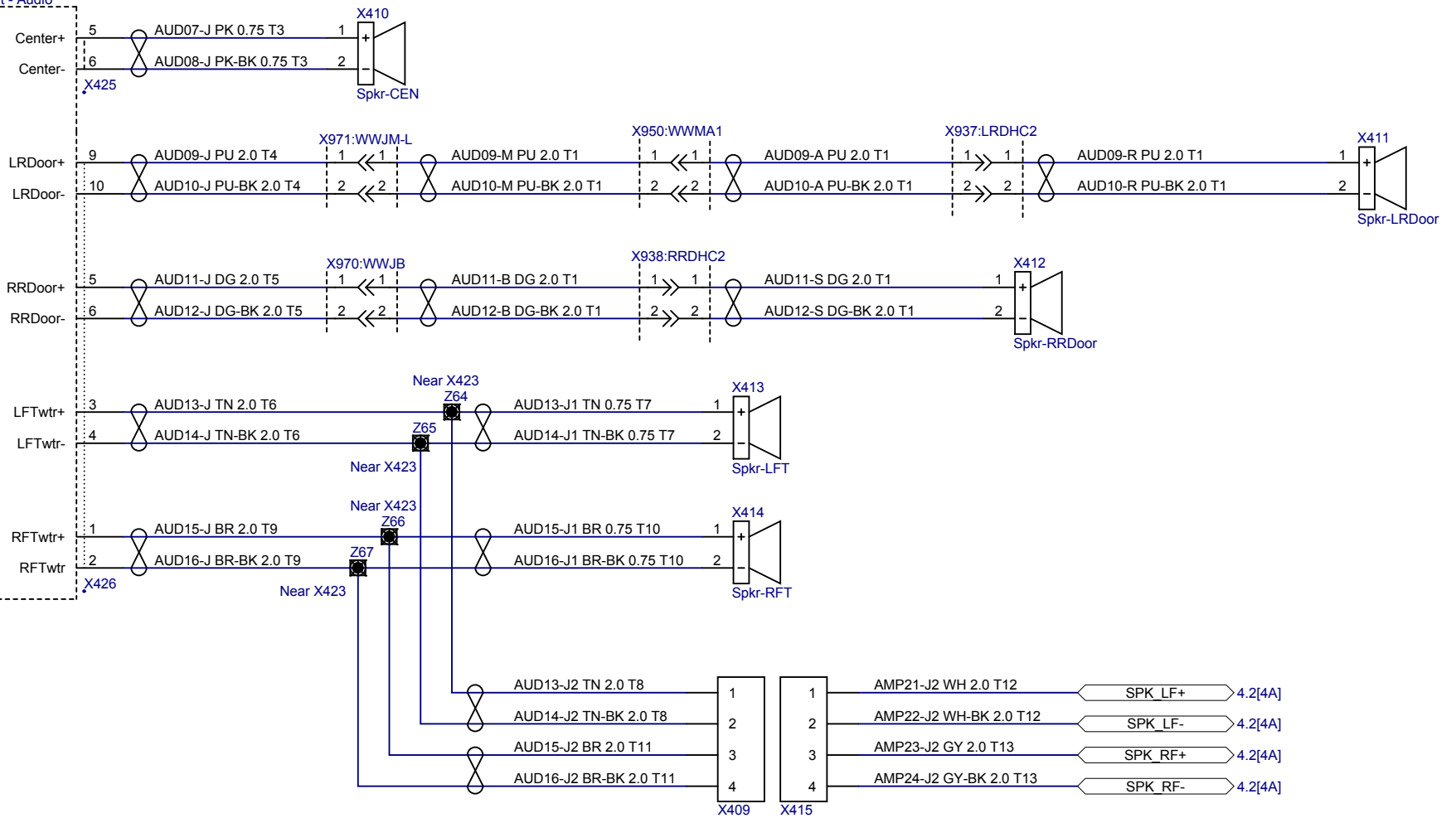
DO NOT SCALE

SHEET 3.1

THE INFORMATION CONTAINED HEREIN IS DEEMED TO BE CONFIDENTIAL, PROPRIETARY, AND A TRADE SECRET OF TESLA MOTORS. THIS INFORMATION MAY NOT BE USED, REPRODUCED, OR DISCLOSED AS THE DIRECT OR INDIRECT BASIS FOR THE DEVELOPMENT, MANUFACTURE, OR SALE OF PROCESSES OR PRODUCTS WITHOUT THE EXPRESSED WRITTEN CONSENT OF TESLA MOTORS.

Media Control Unit - Audio

Speaker-level Audio Outputs



X409 connected to X415 for base audio ONLY.



PROJECT NAME: Model S Wiring Diagram: LHD PHASE: SOP(2012)

SHEET NAME: Audio Wiring - Base - Speakers

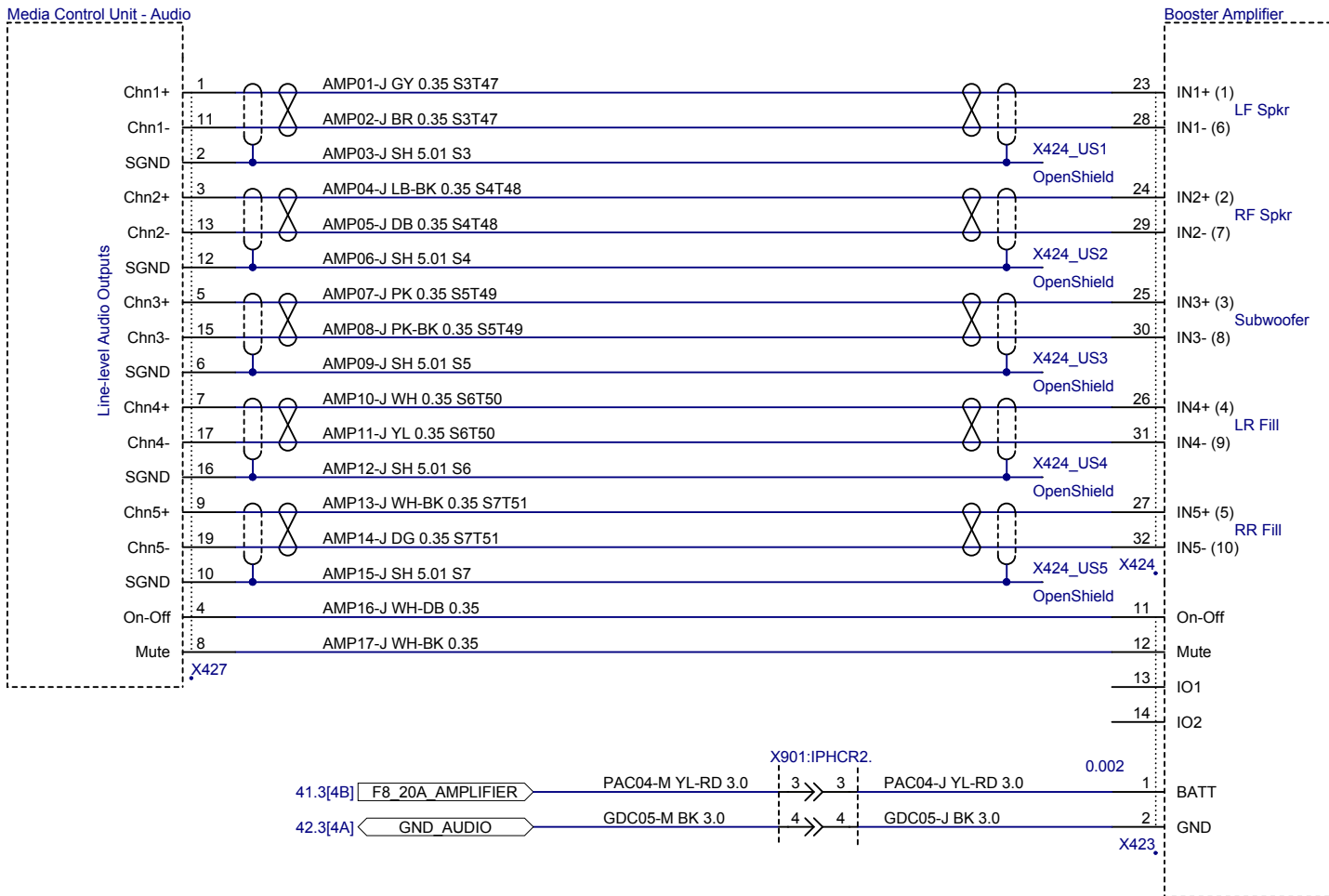
ITEM NO. 1004573-00-D REVISION: 09 (final) DATE: 5/13/2014

DO NOT SCALE

SHEET 3.2

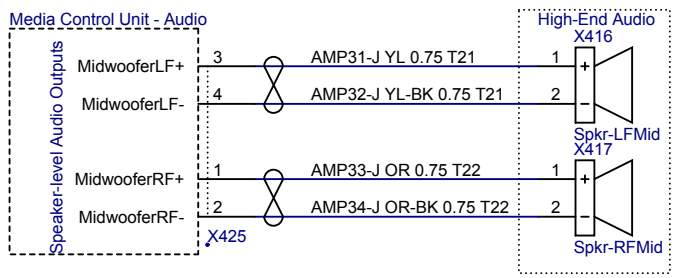
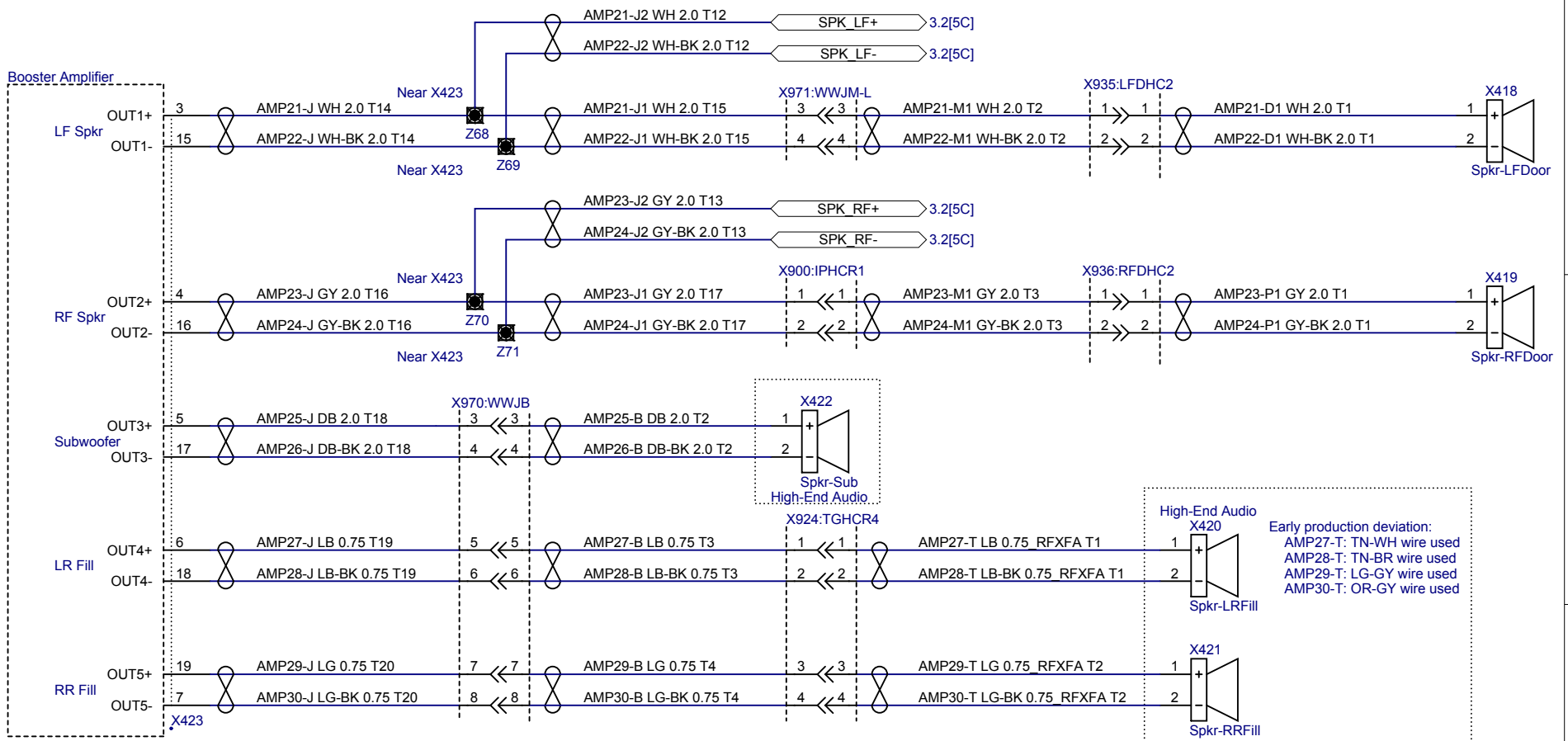
THE INFORMATION CONTAINED HEREIN IS DEEMED TO BE CONFIDENTIAL, PROPRIETARY, AND A TRADE SECRET OF TESLA MOTORS. THIS INFORMATION MAY NOT BE USED, REPRODUCED, OR DISCLOSED AS THE DIRECT OR INDIRECT BASIS FOR THE DEVELOPMENT, MANUFACTURE, OR SALE OF PROCESSES OR PRODUCTS WITHOUT THE EXPRESSED WRITTEN CONSENT OF TESLA MOTORS.

X424, X427 UNSEALED shield terminations



PROJECT NAME: Model S Wiring Diagram: LHD		PHASE: SOP(2012)
SHEET NAME: Audio Wiring - Premium - Line Level Connections		
ITEM NO. 1004573-00-D	REVISION: 09 (final)	DATE: 5/13/2014
DO NOT SCALE		SHEET 4.1

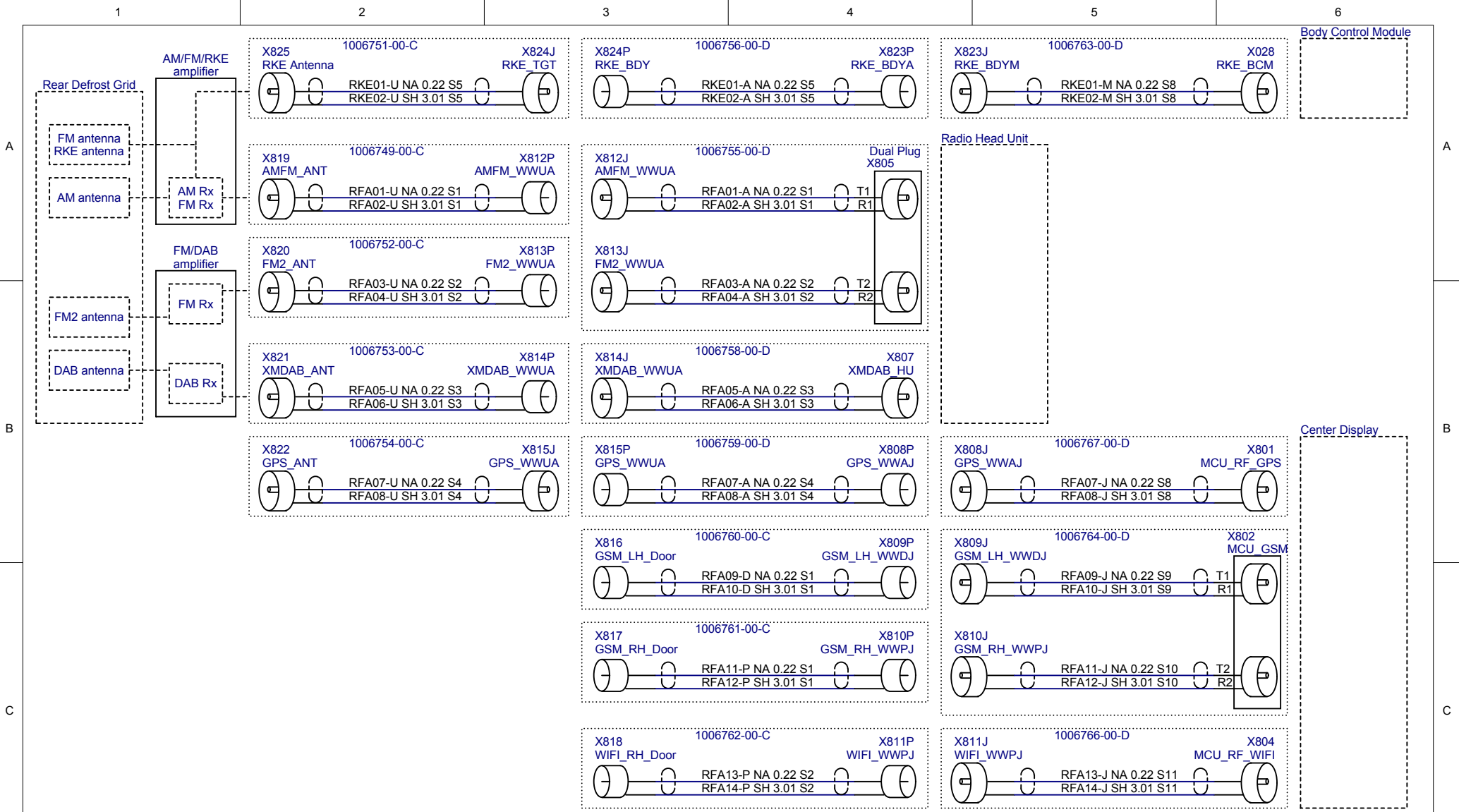
THE INFORMATION CONTAINED HEREIN IS DEEMED TO BE CONFIDENTIAL, PROPRIETARY, AND A TRADE SECRET OF TESLA MOTORS. THIS INFORMATION MAY NOT BE USED, REPRODUCED, OR DISCLOSED AS THE DIRECT OR INDIRECT BASIS FOR THE DEVELOPMENT, MANUFACTURE, OR SALE OF PROCESSES OR PRODUCTS WITHOUT THE EXPRESSED WRITTEN CONSENT OF TESLA MOTORS.



TESLA

PROJECT NAME: Model S Wiring Diagram: LHD		PHASE: SOP(2012)
SHEET NAME: Audio Wiring - Premium - Speakers		
ITEM NO. 1004573-00-D	REVISION: 09 (final)	DATE: 5/13/2014
DO NOT SCALE		SHEET 4.2

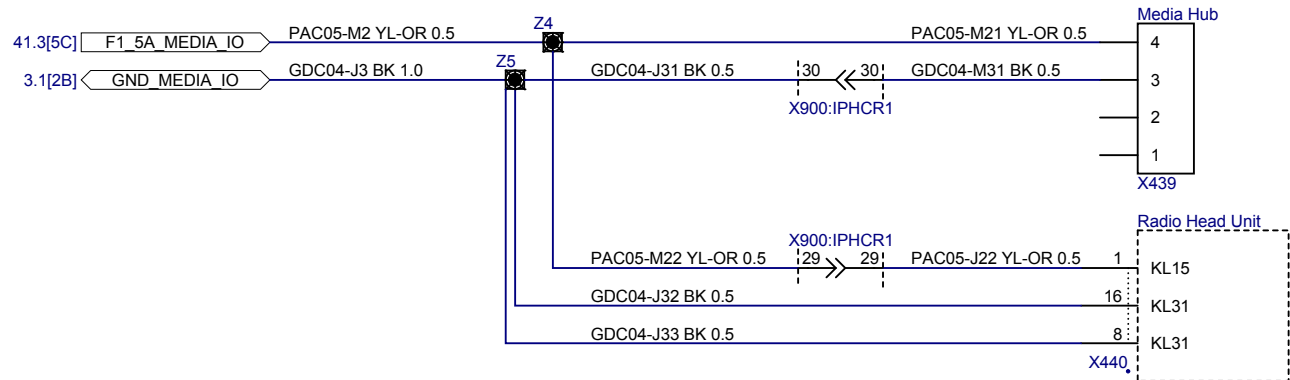
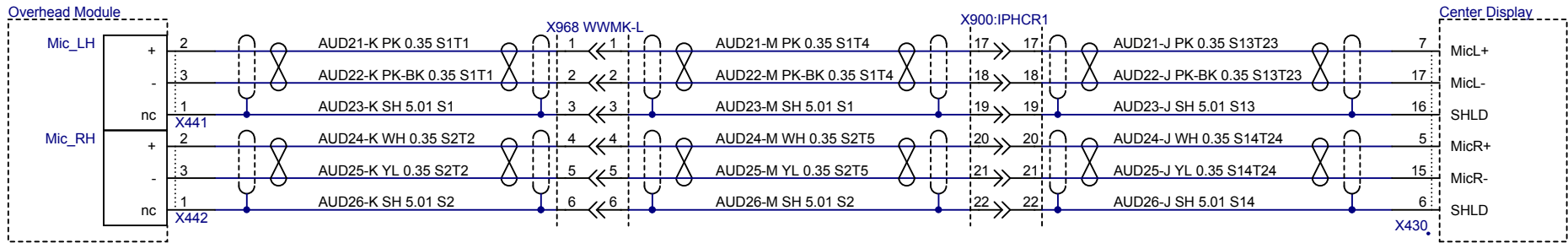
THE INFORMATION CONTAINED HEREIN IS DEEMED TO BE CONFIDENTIAL, PROPRIETARY, AND A TRADE SECRET OF TESLA MOTORS. THIS INFORMATION MAY NOT BE USED, REPRODUCED, OR DISCLOSED AS THE DIRECT OR INDIRECT BASIS FOR THE DEVELOPMENT, MANUFACTURE, OR SALE OF PROCESSES OR PRODUCTS WITHOUT THE EXPRESSED WRITTEN CONSENT OF TESLA MOTORS.



PROJECT NAME: Model S Wiring Diagram: LHD	PHASE: SOP(2012)
SHEET NAME: Antenna Connections	
ITEM NO. 1004573-00-D	REVISION: 09 (final)
DATE: 5/13/2014	
DO NOT SCALE	SHEET 5.1

THE INFORMATION CONTAINED HEREIN IS DEEMED TO BE CONFIDENTIAL, PROPRIETARY, AND A TRADE SECRET OF TESLA MOTORS. THIS INFORMATION MAY NOT BE USED, REPRODUCED, OR DISCLOSED AS THE DIRECT OR INDIRECT BASIS FOR THE DEVELOPMENT, MANUFACTURE, OR SALE OF PROCESSES OR PRODUCTS WITHOUT THE EXPRESSED WRITTEN CONSENT OF TESLA MOTORS.

X430, X441, X442, X968 (1~6), X900 (17~21) UNSEALED shield terminations



PROJECT NAME: Model S Wiring Diagram: LHD PHASE: SOP(2012)

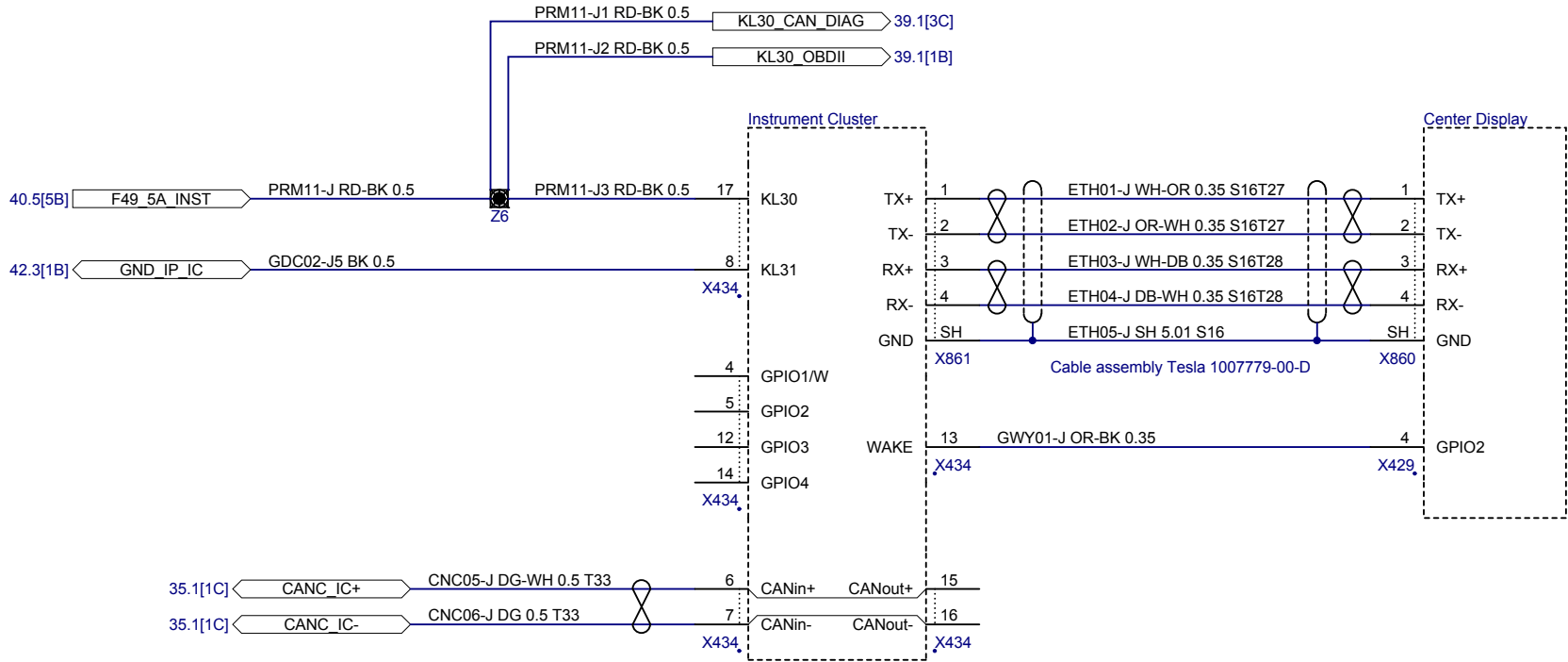
SHEET NAME: Center Display - Microphone and USB

ITEM NO. 1004573-00-D REVISION: 09 (final) DATE: 5/13/2014

DO NOT SCALE

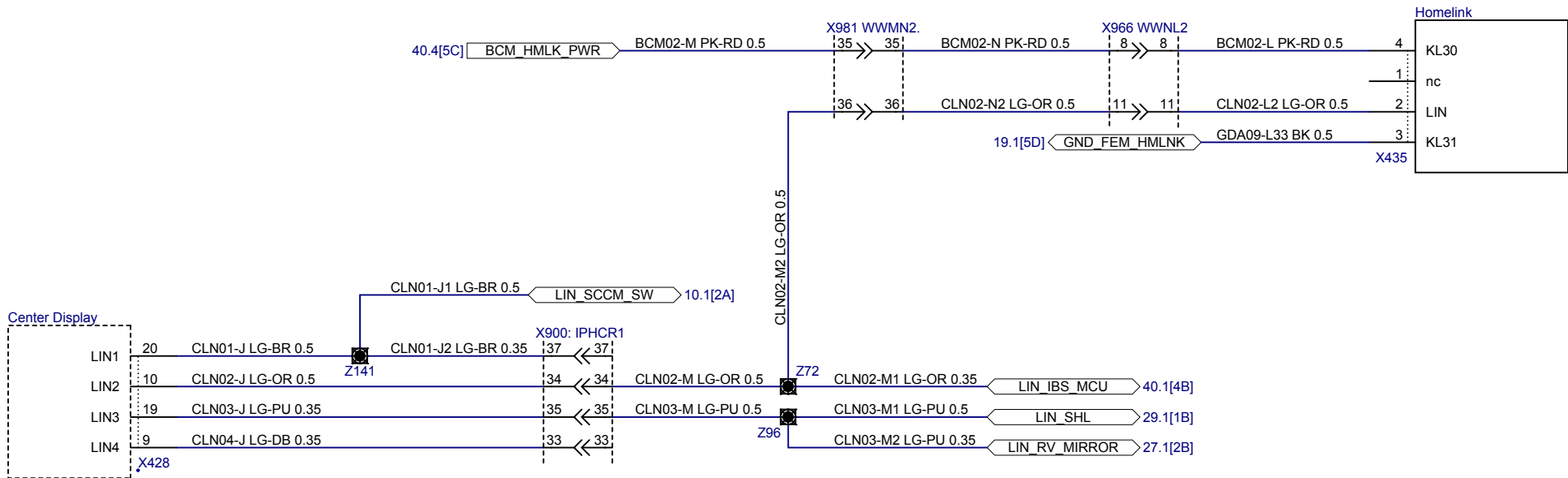
SHEET 6.1

THE INFORMATION CONTAINED HEREIN IS DEEMED TO BE CONFIDENTIAL, PROPRIETARY, AND A TRADE SECRET OF TESLA MOTORS. THIS INFORMATION MAY NOT BE USED, REPRODUCED, OR DISCLOSED AS THE DIRECT OR INDIRECT BASIS FOR THE DEVELOPMENT, MANUFACTURE, OR SALE OF PROCESSES OR PRODUCTS WITHOUT THE EXPRESSED WRITTEN CONSENT OF TESLA MOTORS.



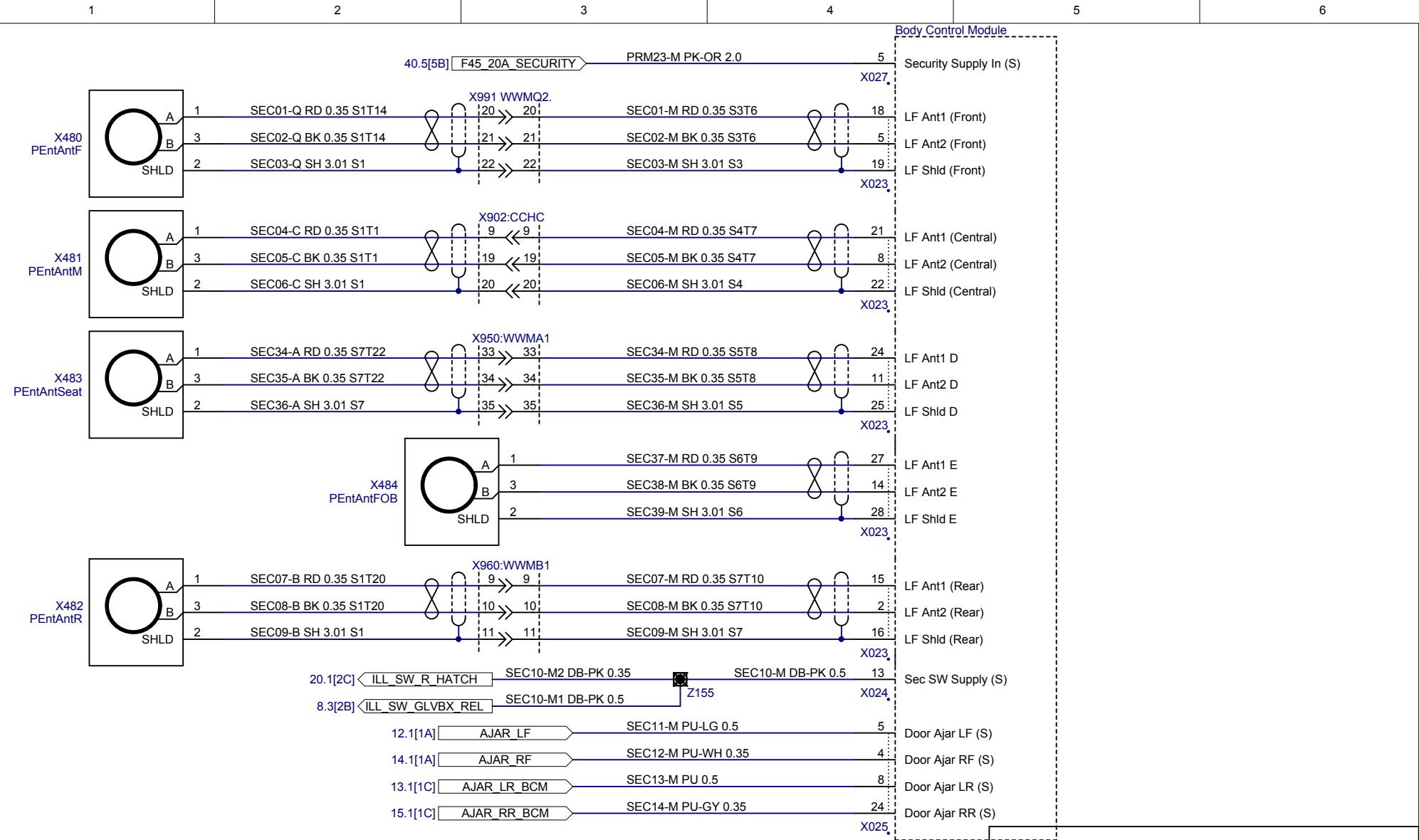
PROJECT NAME: Model S Wiring Diagram: LHD		PHASE: SOP(2012)
SHEET NAME: Center Display - Instrument Cluster		
ITEM NO. 1004573-00-D	REVISION: 09 (final)	DATE: 5/13/2014
DO NOT SCALE		SHEET 7.1

THE INFORMATION CONTAINED HEREIN IS DEEMED TO BE CONFIDENTIAL, PROPRIETARY, AND A TRADE SECRET OF TESLA MOTORS. THIS INFORMATION MAY NOT BE USED, REPRODUCED, OR DISCLOSED AS THE DIRECT OR INDIRECT BASIS FOR THE DEVELOPMENT, MANUFACTURE, OR SALE OF PROCESSES OR PRODUCTS WITHOUT THE EXPRESSED WRITTEN CONSENT OF TESLA MOTORS.



PROJECT NAME: Model S Wiring Diagram: LHD		PHASE: SOP(2012)
SHEET NAME: Center Display LIN Buses		
ITEM NO. 1004573-00-D	REVISION: 09 (final)	DATE: 5/13/2014
DO NOT SCALE		SHEET 7.2

THE INFORMATION CONTAINED HEREIN IS DEEMED TO BE CONFIDENTIAL, PROPRIETARY, AND A TRADE SECRET OF TESLA MOTORS. THIS INFORMATION MAY NOT BE USED, REPRODUCED, OR DISCLOSED AS THE DIRECT OR INDIRECT BASIS FOR THE DEVELOPMENT, MANUFACTURE, OR SALE OF PROCESSES OR PRODUCTS WITHOUT THE EXPRESSED WRITTEN CONSENT OF TESLA MOTORS.



X023, X481, X482, X483, X902, X961 (9~11, 33~35) UNSEALED shield terminations
 X480, X484 SEALED shield terminations



PROJECT NAME: Model S Wiring Diagram: LHD PHASE: SOP(2012)

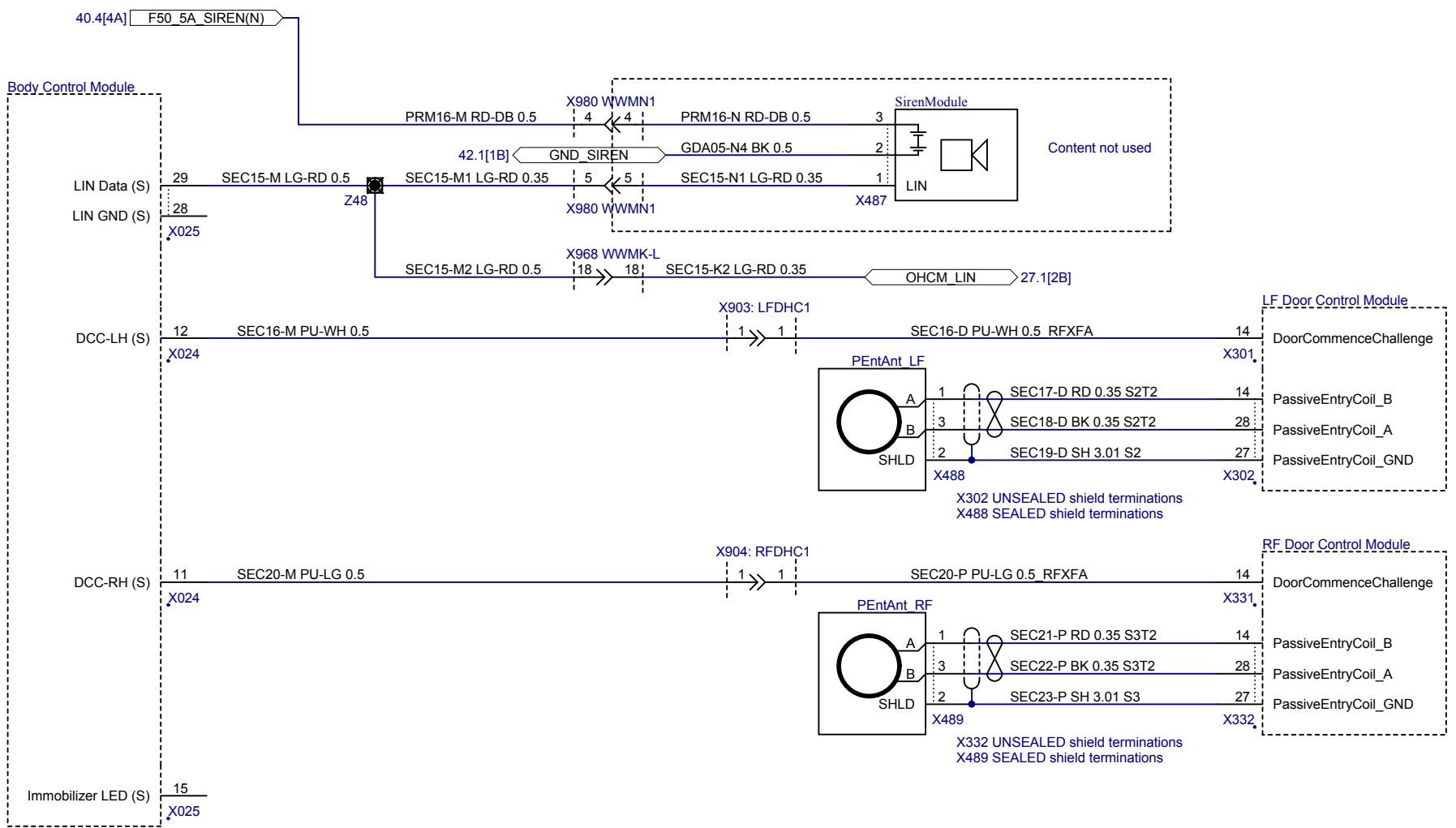
SHEET NAME: Security System Inputs, Body Antennas

ITEM NO. 1004573-00-D REVISION: 09 (final) DATE: 5/13/2014

DO NOT SCALE

SHEET 8.1

THE INFORMATION CONTAINED HEREIN IS DEEMED TO BE CONFIDENTIAL, PROPRIETARY, AND A TRADE SECRET OF TESLA MOTORS. THIS INFORMATION MAY NOT BE USED, REPRODUCED, OR DISCLOSED AS THE DIRECT OR INDIRECT BASIS FOR THE DEVELOPMENT, MANUFACTURE, OR SALE OF PROCESSES OR PRODUCTS WITHOUT THE EXPRESSED WRITTEN CONSENT OF TESLA MOTORS.



PROJECT NAME: Model S Wiring Diagram: LHD PHASE: SOP(2012)

SHEET NAME: Security System Outputs, Doors, Siren

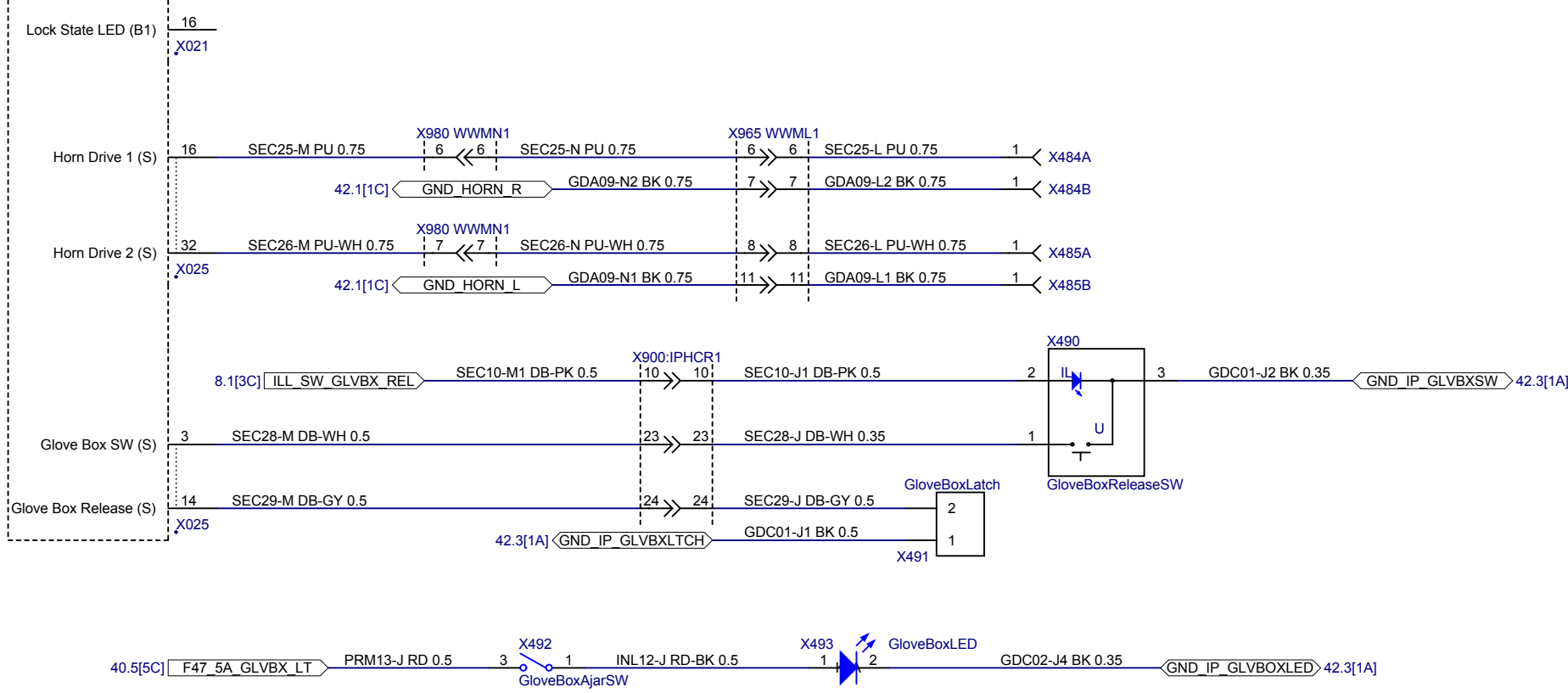
ITEM NO. 1004573-00-D REVISION: 09 (final) DATE: 5/13/2014

DO NOT SCALE

SHEET 8.2

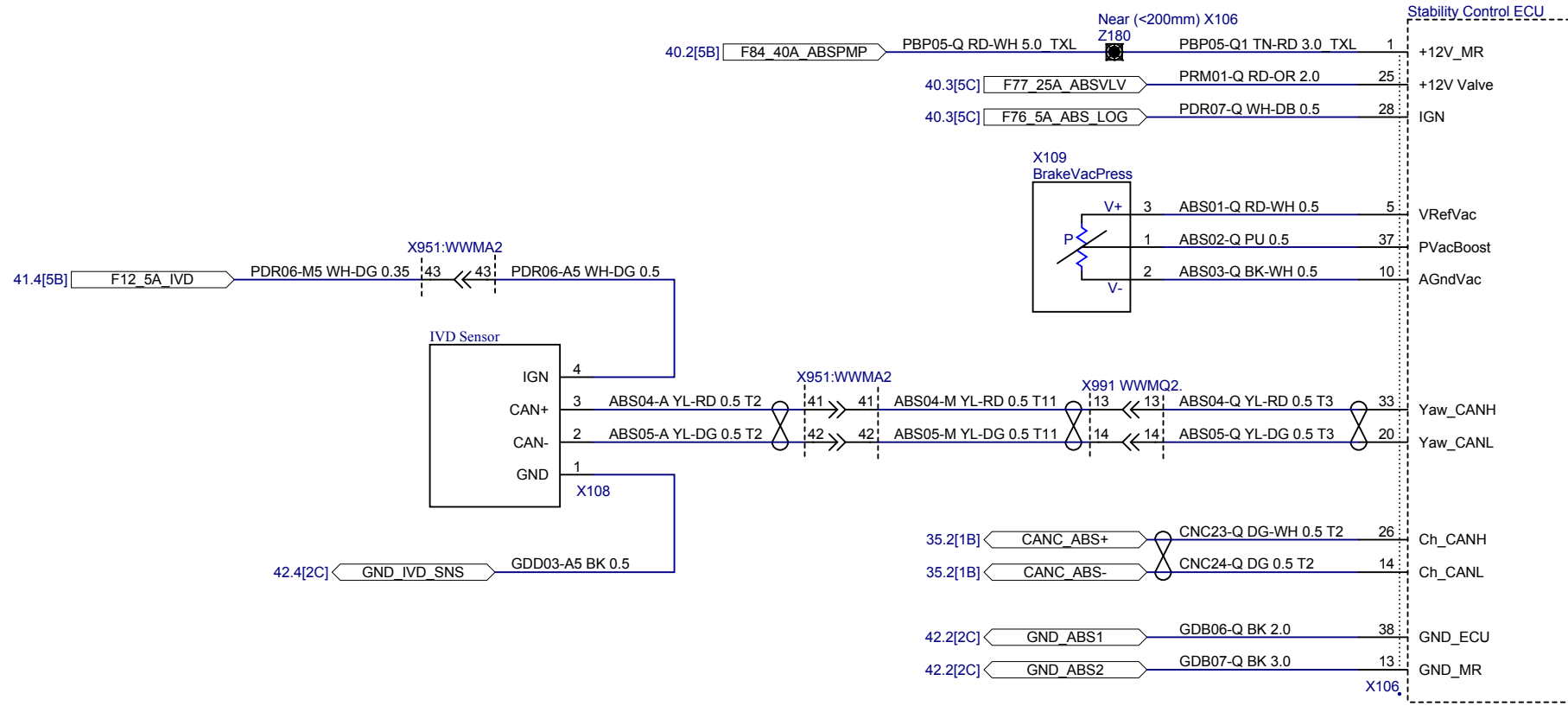
THE INFORMATION CONTAINED HEREIN IS DEEMED TO BE CONFIDENTIAL, PROPRIETARY, AND A TRADE SECRET OF TESLA MOTORS. THIS INFORMATION MAY NOT BE USED, REPRODUCED, OR DISCLOSED AS THE DIRECT OR INDIRECT BASIS FOR THE DEVELOPMENT, MANUFACTURE, OR SALE OF PROCESSES OR PRODUCTS WITHOUT THE EXPRESSED WRITTEN CONSENT OF TESLA MOTORS.

Body Control Module



PROJECT NAME: Model S Wiring Diagram: LHD		PHASE: SOP(2012)
SHEET NAME: Security System Horns and Glove Box		
ITEM NO. 1004573-00-D	REVISION: 09 (final)	DATE: 5/13/2014
DO NOT SCALE		SHEET 8.3

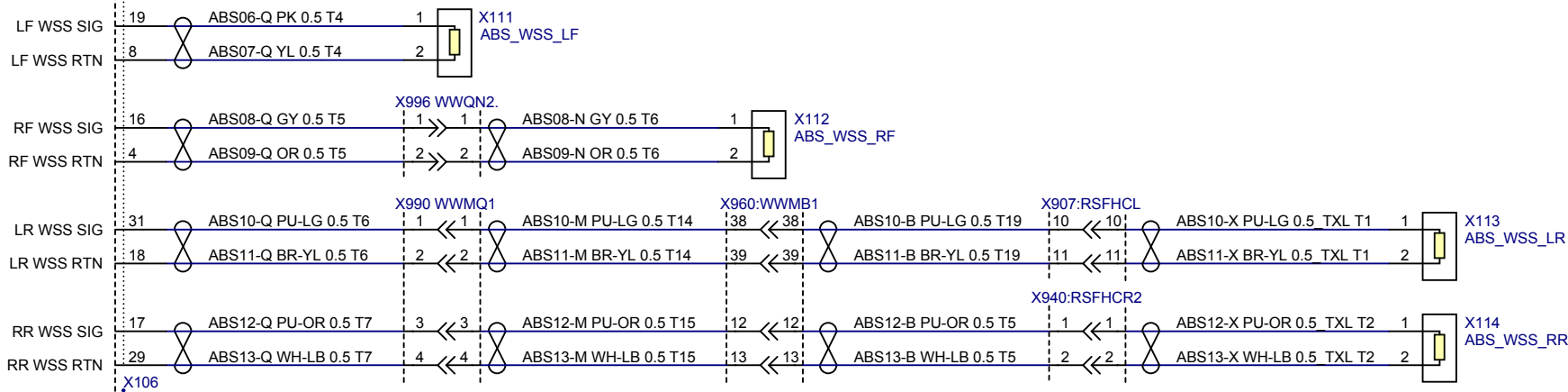
THE INFORMATION CONTAINED HEREIN IS DEEMED TO BE CONFIDENTIAL, PROPRIETARY, AND A TRADE SECRET OF TESLA MOTORS. THIS INFORMATION MAY NOT BE USED, REPRODUCED, OR DISCLOSED AS THE DIRECT OR INDIRECT BASIS FOR THE DEVELOPMENT, MANUFACTURE, OR SALE OF PROCESSES OR PRODUCTS WITHOUT THE EXPRESSED WRITTEN CONSENT OF TESLA MOTORS.



PROJECT NAME: Model S Wiring Diagram: LHD		PHASE: SOP(2012)
SHEET NAME: Chassis - Stability and Anti-Lock Braking		
ITEM NO. 1004573-00-D	REVISION: 09 (final)	DATE: 5/13/2014
DO NOT SCALE		SHEET 9.1

THE INFORMATION CONTAINED HEREIN IS DEEMED TO BE CONFIDENTIAL, PROPRIETARY, AND A TRADE SECRET OF TESLA MOTORS. THIS INFORMATION MAY NOT BE USED, REPRODUCED, OR DISCLOSED AS THE DIRECT OR INDIRECT BASIS FOR THE DEVELOPMENT, MANUFACTURE, OR SALE OF PROCESSES OR PRODUCTS WITHOUT THE EXPRESSED WRITTEN CONSENT OF TESLA MOTORS.

Stability Control ECU



PROJECT NAME: Model S Wiring Diagram: LHD PHASE: SOP(2012)

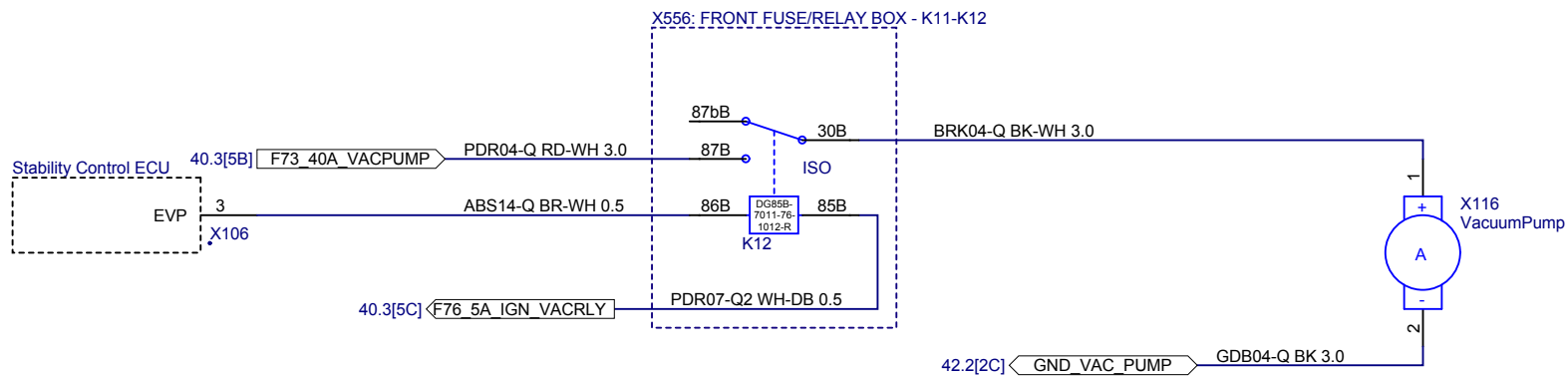
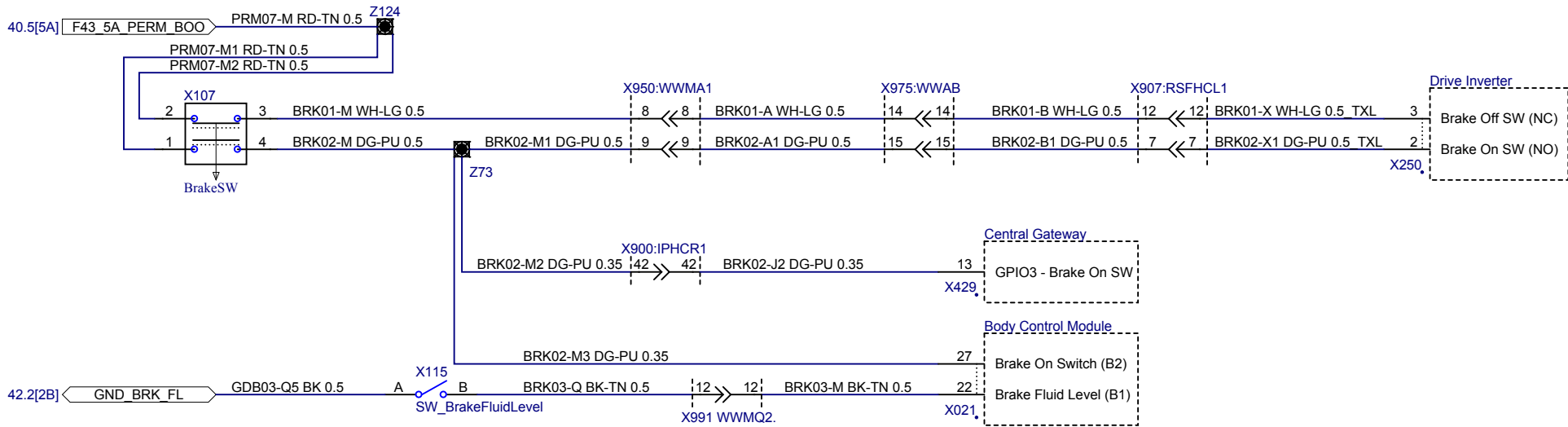
SHEET NAME: Chassis - Stability and Anti-Lock Braking

ITEM NO. 1004573-00-D REVISION: 09 (final) DATE: 5/13/2014

DO NOT SCALE

SHEET 9.2

THE INFORMATION CONTAINED HEREIN IS DEEMED TO BE CONFIDENTIAL, PROPRIETARY, AND A TRADE SECRET OF TESLA MOTORS. THIS INFORMATION MAY NOT BE USED, REPRODUCED, OR DISCLOSED AS THE DIRECT OR INDIRECT BASIS FOR THE DEVELOPMENT, MANUFACTURE, OR SALE OF PROCESSES OR PRODUCTS WITHOUT THE EXPRESSED WRITTEN CONSENT OF TESLA MOTORS.



TESLA

PROJECT NAME: Model S Wiring Diagram: LHD PHASE: SOP(2012)

SHEET NAME: Chassis - Brake Switch and Booster

ITEM NO. 1004573-00-D REVISION: 09 (final) DATE: 5/13/2014

DO NOT SCALE

SHEET 9.3

THE INFORMATION CONTAINED HEREIN IS DEEMED TO BE CONFIDENTIAL, PROPRIETARY, AND A TRADE SECRET OF TESLA MOTORS. THIS INFORMATION MAY NOT BE USED, REPRODUCED, OR DISCLOSED AS THE DIRECT OR INDIRECT BASIS FOR THE DEVELOPMENT, MANUFACTURE, OR SALE OF PROCESSES OR PRODUCTS WITHOUT THE EXPRESSED WRITTEN CONSENT OF TESLA MOTORS.

A

A

B

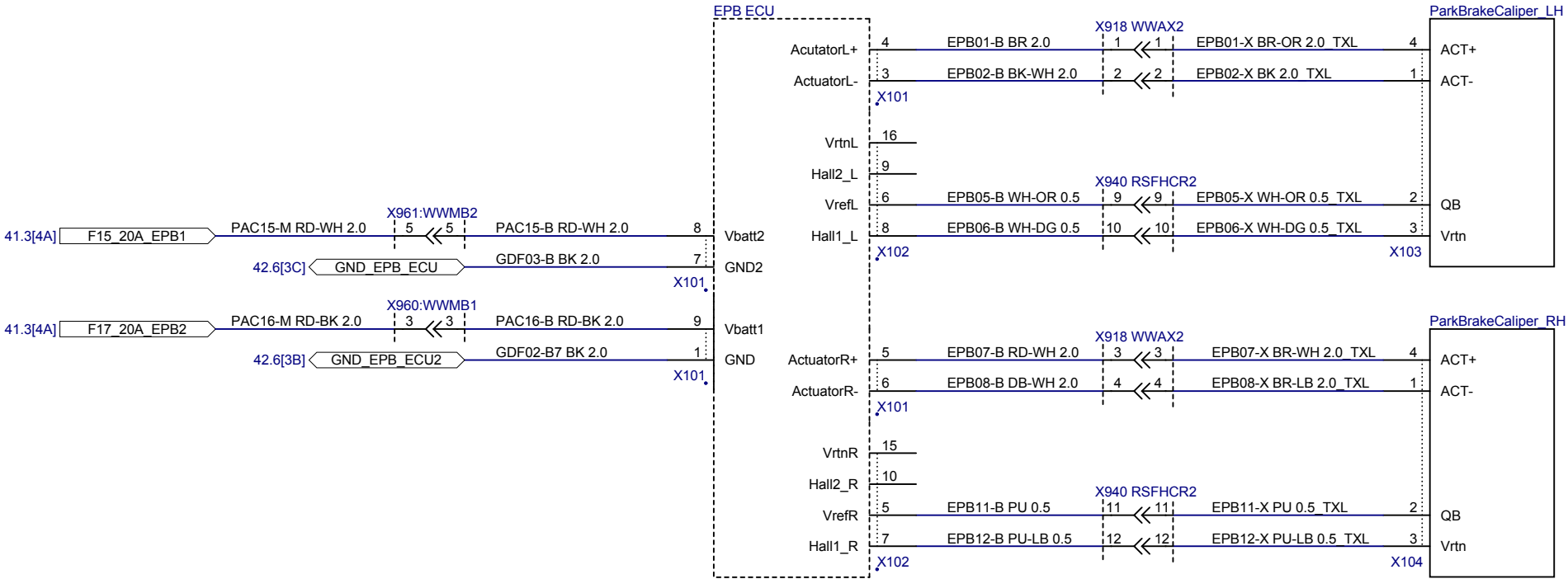
B

C

C

D

D



PROJECT NAME: Model S Wiring Diagram: LHD		PHASE: SOP(2012)
SHEET NAME: Chassis - Electronic Park Brake		
ITEM NO. 1004573-00-D	REVISION: 09 (final)	DATE: 5/13/2014
DO NOT SCALE		SHEET 9.4

THE INFORMATION CONTAINED HEREIN IS DEEMED TO BE CONFIDENTIAL, PROPRIETARY, AND A TRADE SECRET OF TESLA MOTORS. THIS INFORMATION MAY NOT BE USED, REPRODUCED, OR DISCLOSED AS THE DIRECT OR INDIRECT BASIS FOR THE DEVELOPMENT, MANUFACTURE, OR SALE OF PROCESSES OR PRODUCTS WITHOUT THE EXPRESSED WRITTEN CONSENT OF TESLA MOTORS.

A

B

C

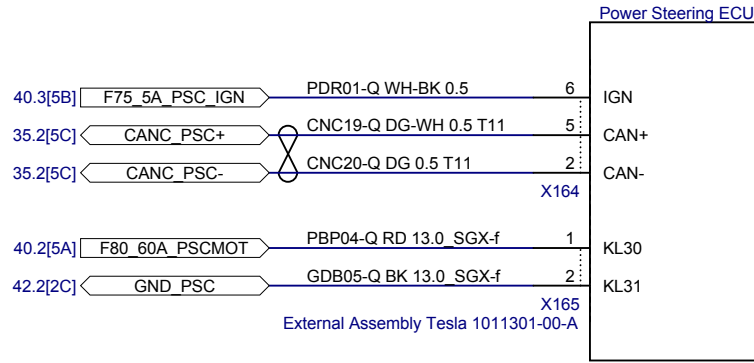
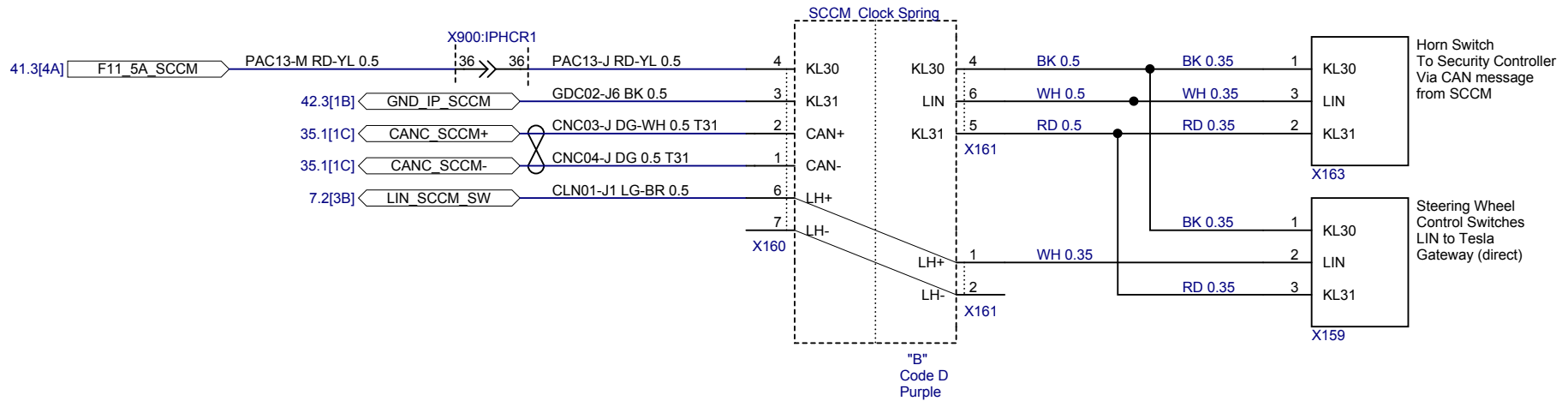
D

A

B

C

D



PROJECT NAME: Model S Wiring Diagram: LHD PHASE: SOP(2012)

SHEET NAME: Chassis - Steering Wheel Controls / Power Steering

ITEM NO. 1004573-00-D REVISION: 09 (final) DATE: 5/13/2014

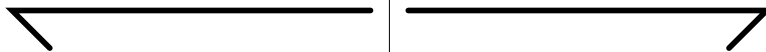
DO NOT SCALE

SHEET 10.1

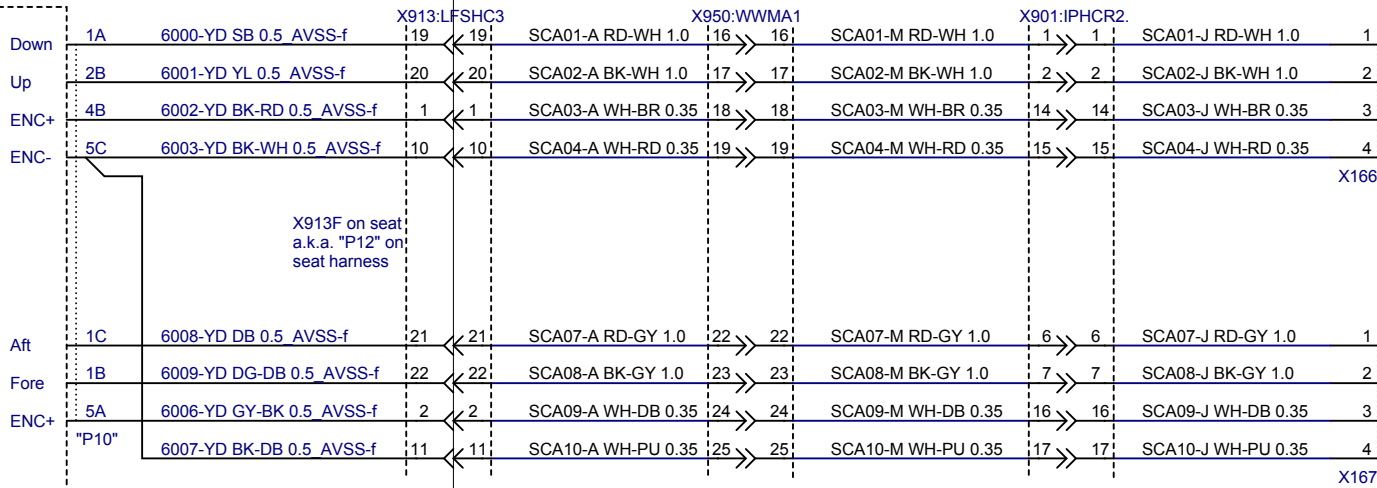
THE INFORMATION CONTAINED HEREIN IS DEEMED TO BE CONFIDENTIAL, PROPRIETARY, AND A TRADE SECRET OF TESLA MOTORS. THIS INFORMATION MAY NOT BE USED, REPRODUCED, OR DISCLOSED AS THE DIRECT OR INDIRECT BASIS FOR THE DEVELOPMENT, MANUFACTURE, OR SALE OF PROCESSES OR PRODUCTS WITHOUT THE EXPRESSED WRITTEN CONSENT OF TESLA MOTORS.

Included in Seat Assembly
Wiring shown here for reference only

Main Vehicle Wiring
Wiring on this side is part of vehicle wiring

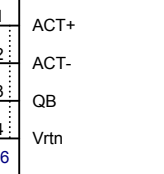


Memory Seat Module

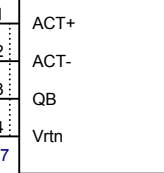


X913F on seat
a.k.a. "P12" on
seat harness

SCAdjust Motor Up/Down



SCAdjust Motor Fore/Aft



PROJECT NAME: Model S Wiring Diagram: LHD PHASE: SOP(2012)

SHEET NAME: Chassis - Steering Column Adjustment

ITEM NO. 1004573-00-D REVISION: 09 (final) DATE: 5/13/2014

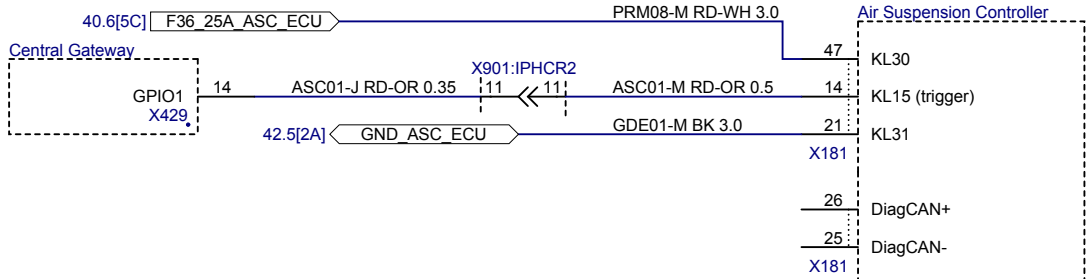
DO NOT SCALE

SHEET 10.2

THE INFORMATION CONTAINED HEREIN IS DEEMED TO BE CONFIDENTIAL, PROPRIETARY, AND A TRADE SECRET OF TESLA MOTORS. THIS INFORMATION MAY NOT BE USED, REPRODUCED, OR DISCLOSED AS THE DIRECT OR INDIRECT BASIS FOR THE DEVELOPMENT, MANUFACTURE, OR SALE OF PROCESSES OR PRODUCTS WITHOUT THE EXPRESSED WRITTEN CONSENT OF TESLA MOTORS.

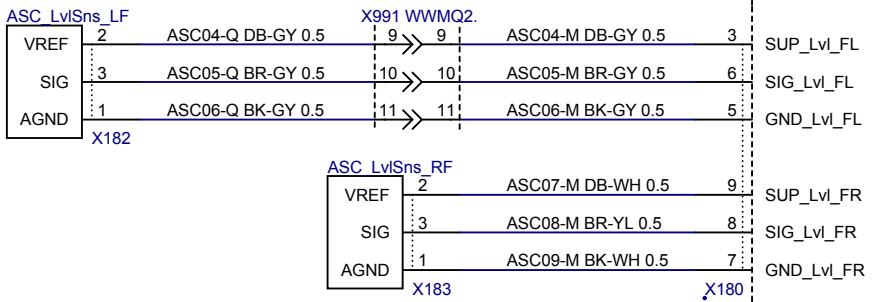
A

A



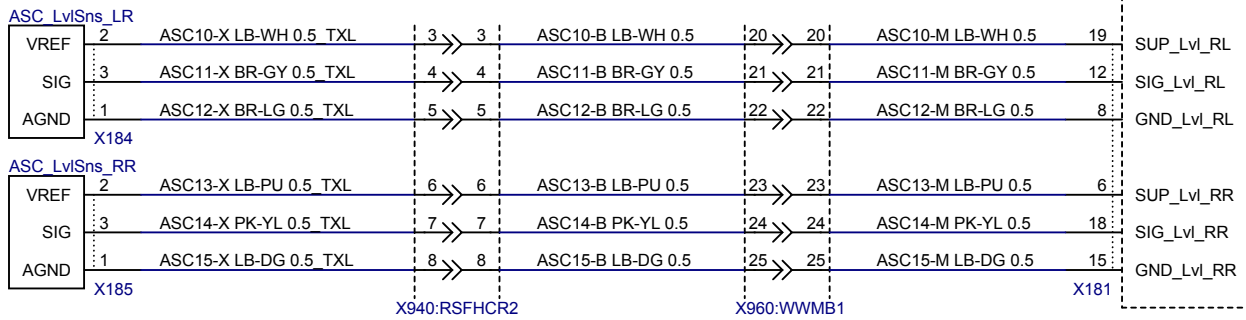
B

B



C

C



D

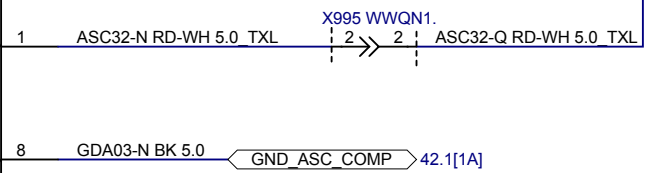
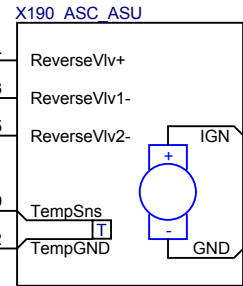
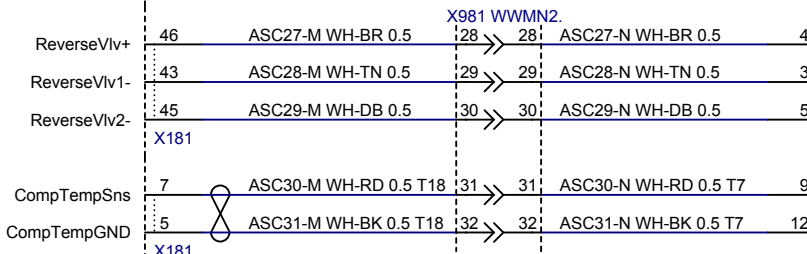
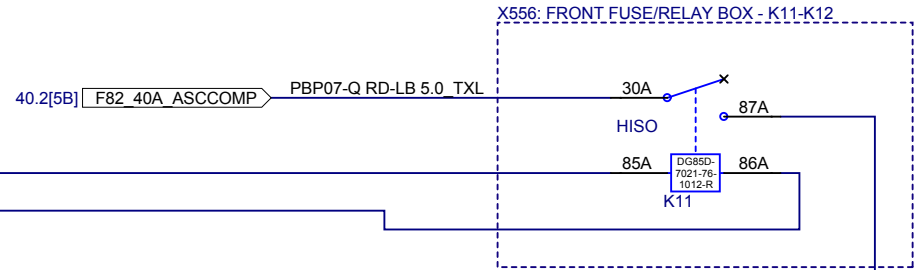
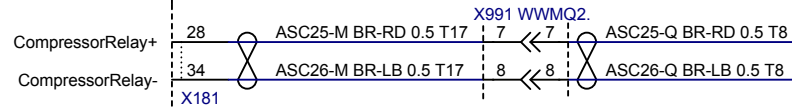
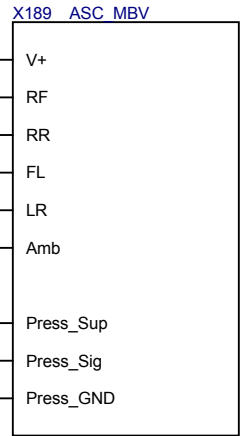
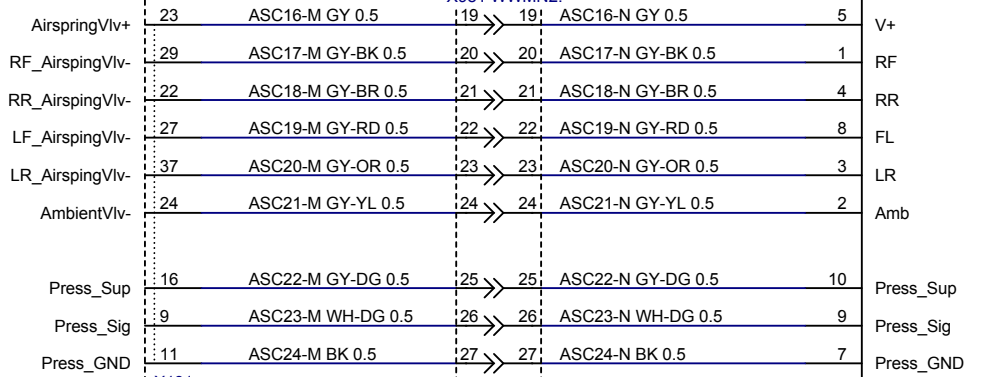
D



PROJECT NAME: Model S Wiring Diagram: LHD		PHASE: SOP(2012)
SHEET NAME: Chassis - Air Suspension Sensors and Power		
ITEM NO. 1004573-00-D	REVISION: 09 (final)	DATE: 5/13/2014
DO NOT SCALE		SHEET 11.1

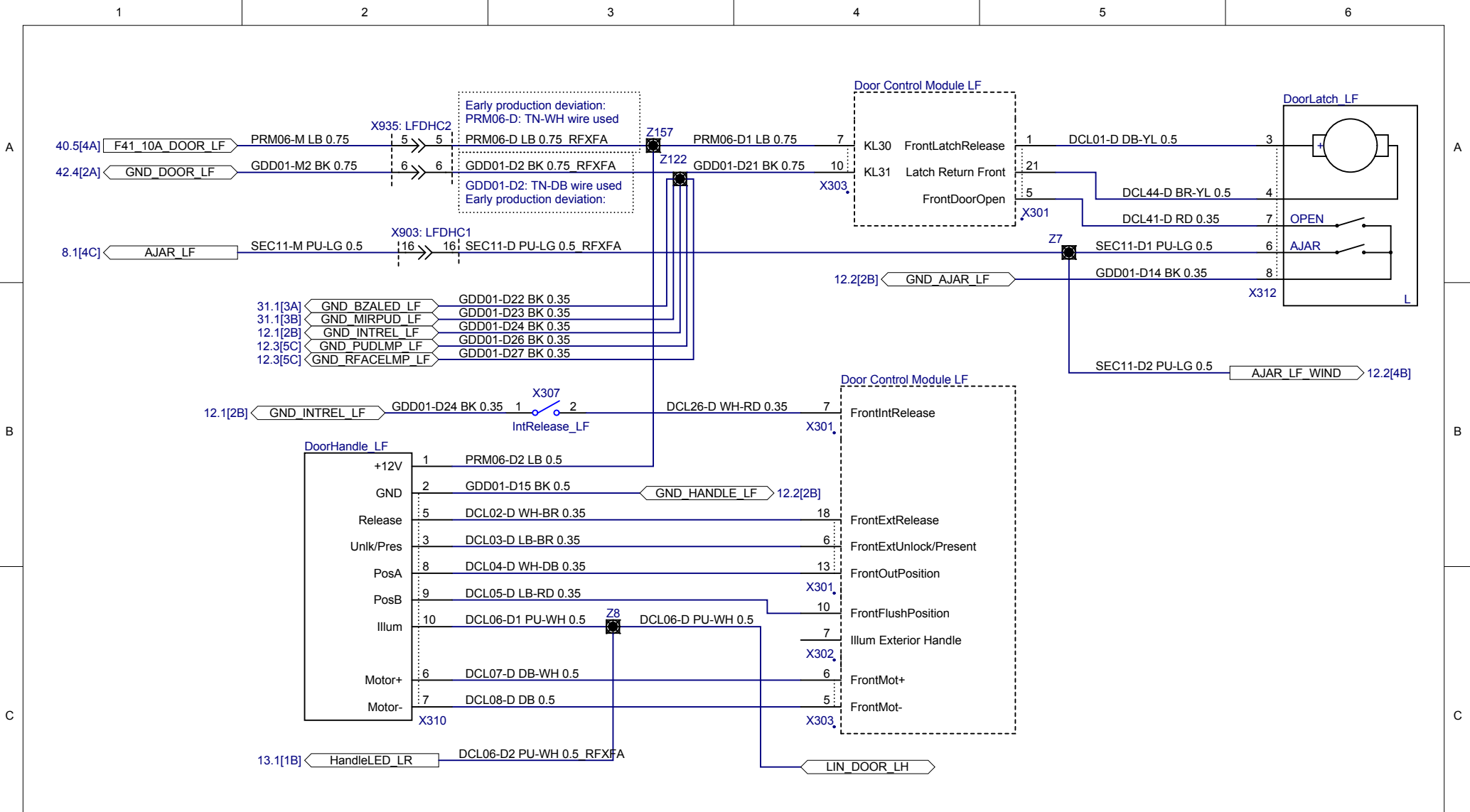
THE INFORMATION CONTAINED HEREIN IS DEEMED TO BE CONFIDENTIAL, PROPRIETARY, AND A TRADE SECRET OF TESLA MOTORS. THIS INFORMATION MAY NOT BE USED, REPRODUCED, OR DISCLOSED AS THE DIRECT OR INDIRECT BASIS FOR THE DEVELOPMENT, MANUFACTURE, OR SALE OF PROCESSES OR PRODUCTS WITHOUT THE EXPRESSED WRITTEN CONSENT OF TESLA MOTORS.

Air Suspension Controller



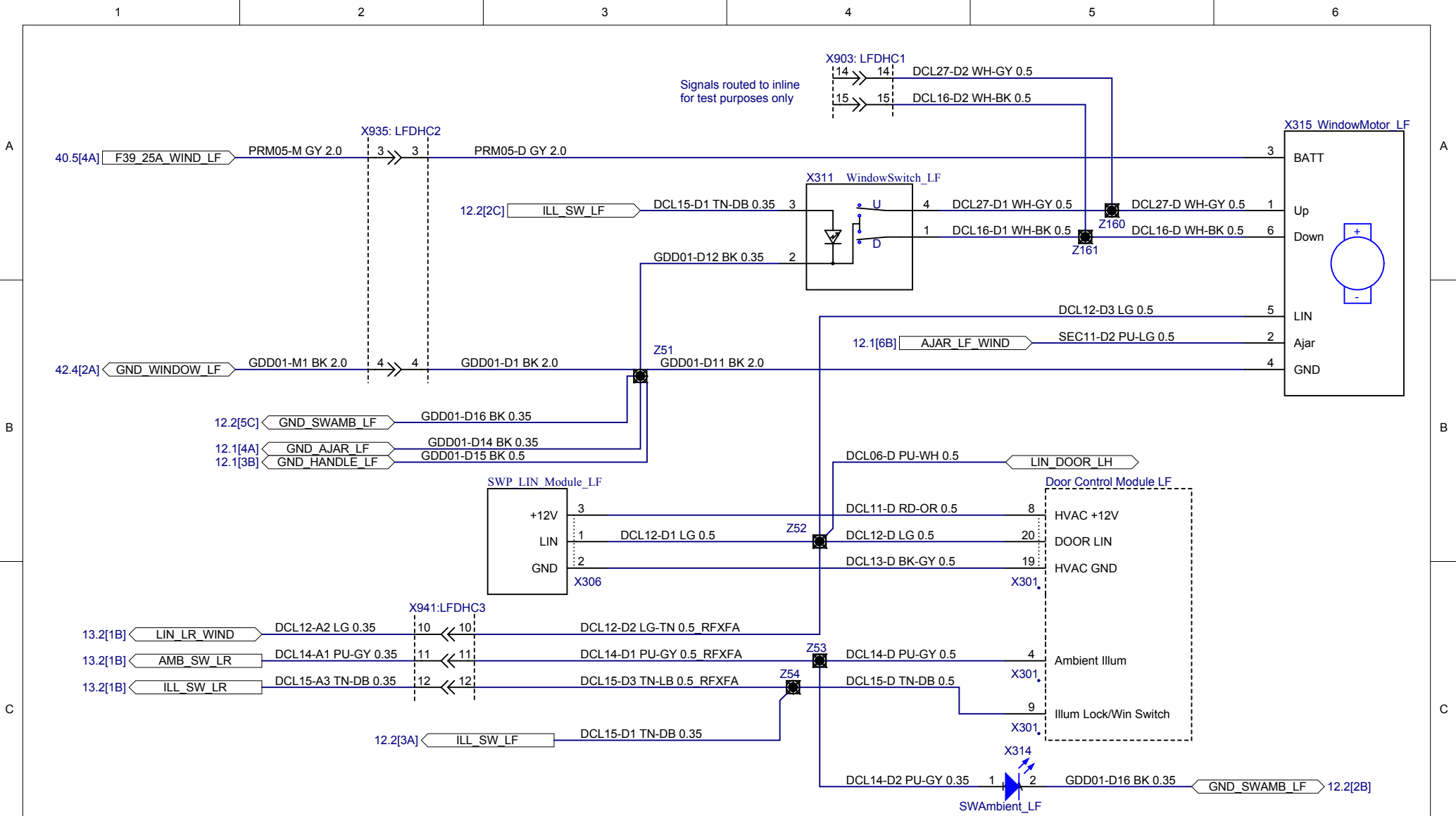
PROJECT NAME: Model S Wiring Diagram: LHD	PHASE: SOP(2012)
SHEET NAME: Chassis - Air Suspension Control	
ITEM NO. 1004573-00-D	REVISION: 09 (final)
DATE: 5/13/2014	
DO NOT SCALE	SHEET 11.

THE INFORMATION CONTAINED HEREIN IS DEEMED TO BE CONFIDENTIAL, PROPRIETARY, AND A TRADE SECRET OF TESLA MOTORS. THIS INFORMATION MAY NOT BE USED, REPRODUCED, OR DISCLOSED AS THE DIRECT OR INDIRECT BASIS FOR THE DEVELOPMENT, MANUFACTURE, OR SALE OF PROCESSES OR PRODUCTS WITHOUT THE EXPRESSED WRITTEN CONSENT OF TESLA MOTORS.



PROJECT NAME: Model S Wiring Diagram: LHD		PHASE: SOP(2012)
SHEET NAME: Left Front Door - Handle and Latch		
ITEM NO. 1004573-00-D	REVISION: 09 (final)	DATE: 5/13/2014
DO NOT SCALE		SHEET 12.1

THE INFORMATION CONTAINED HEREIN IS DEEMED TO BE CONFIDENTIAL, PROPRIETARY, AND A TRADE SECRET OF TESLA MOTORS. THIS INFORMATION MAY NOT BE USED, REPRODUCED, OR DISCLOSED AS THE DIRECT OR INDIRECT BASIS FOR THE DEVELOPMENT, MANUFACTURE, OR SALE OF PROCESSES OR PRODUCTS WITHOUT THE EXPRESSED WRITTEN CONSENT OF TESLA MOTORS.

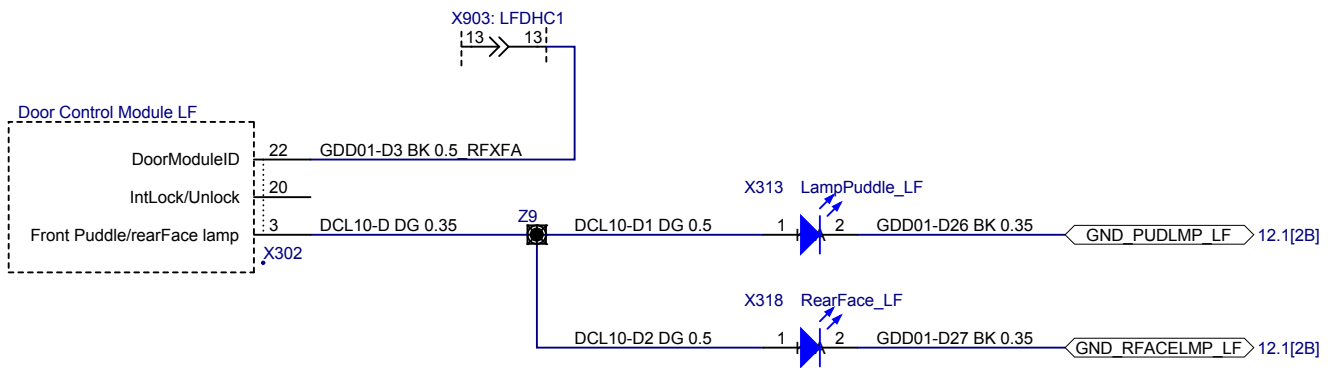


LIN Switch module (X306) installed only on driver's door. Simple window switch wiring is maintained to allow for future RHD models without changing door harness.

THE INFORMATION CONTAINED HEREIN IS DEEMED TO BE CONFIDENTIAL, PROPRIETARY, AND A TRADE SECRET OF TESLA MOTORS. THIS INFORMATION MAY NOT BE USED, REPRODUCED, OR DISCLOSED AS THE DIRECT OR INDIRECT BASIS FOR THE DEVELOPMENT, MANUFACTURE, OR SALE OF PROCESSES OR PRODUCTS WITHOUT THE EXPRESSED WRITTEN CONSENT OF TESLA MOTORS.

TESLA

PROJECT NAME: Model S Wiring Diagram: LHD		PHASE: SOP(2012)	
SHEET NAME: Left Front Door - Window and Switches			
ITEM NO. 1004573-00-D	REVISION: 09 (final)	DATE: 5/13/2014	
DO NOT SCALE		SHEET 12.2	



X903: LFDHC1

Door Control Module_LF

DoorModuleID 22

IntLock/Unlock 20

Front Puddle/rearFace lamp 3

X302

Z9

X313 LampPuddle_LF

X318 RearFace_LF

X302-22 is grounded in RHD to indicate passenger door.



PROJECT NAME: Model S Wiring Diagram: LHD PHASE: SOP(2012)

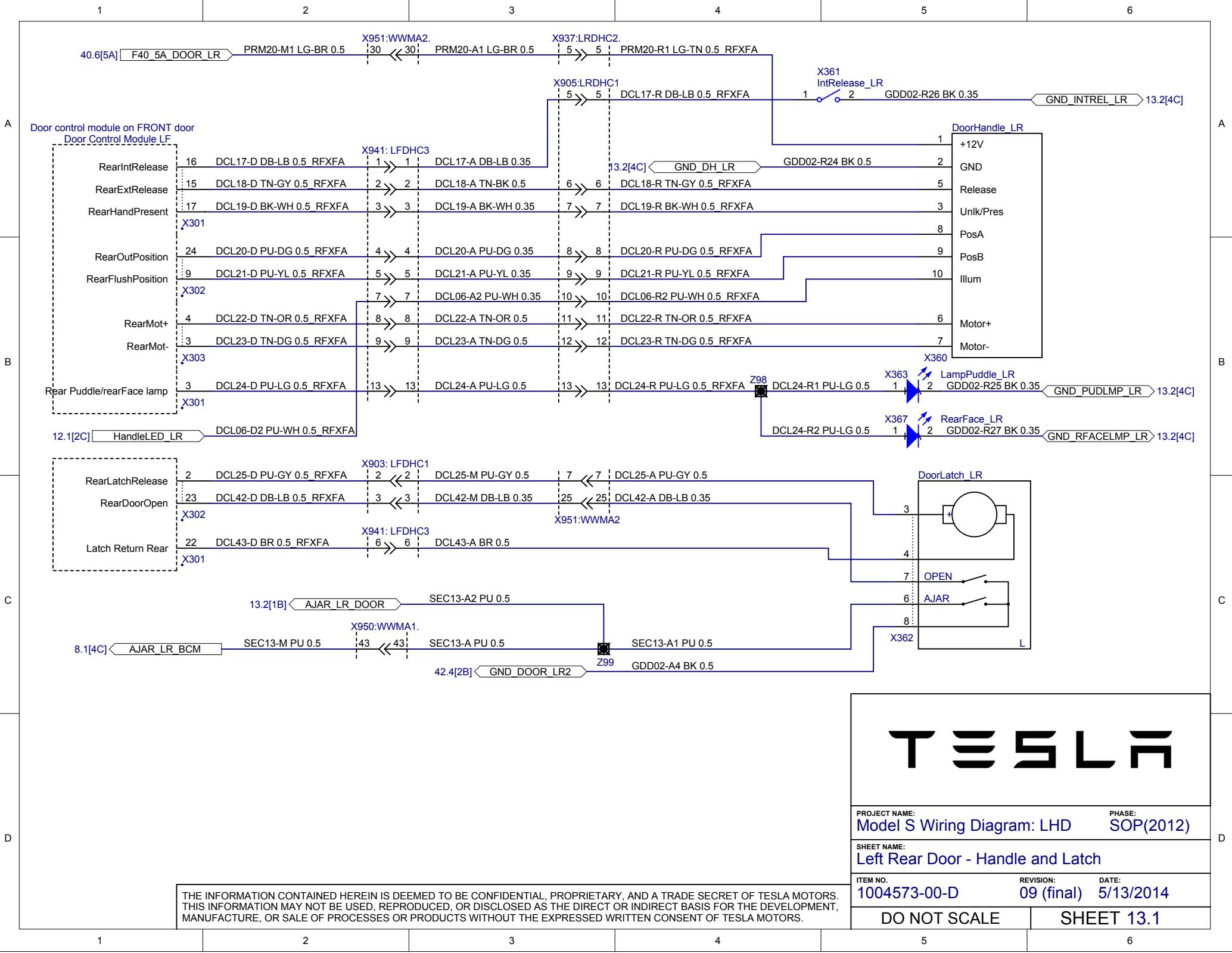
SHEET NAME: Left Front Door - Exterior Illumination

ITEM NO. 1004573-00-D REVISION: 09 (final) DATE: 5/13/2014

DO NOT SCALE

SHEET 12.3

THE INFORMATION CONTAINED HEREIN IS DEEMED TO BE CONFIDENTIAL, PROPRIETARY, AND A TRADE SECRET OF TESLA MOTORS. THIS INFORMATION MAY NOT BE USED, REPRODUCED, OR DISCLOSED AS THE DIRECT OR INDIRECT BASIS FOR THE DEVELOPMENT, MANUFACTURE, OR SALE OF PROCESSES OR PRODUCTS WITHOUT THE EXPRESSED WRITTEN CONSENT OF TESLA MOTORS.



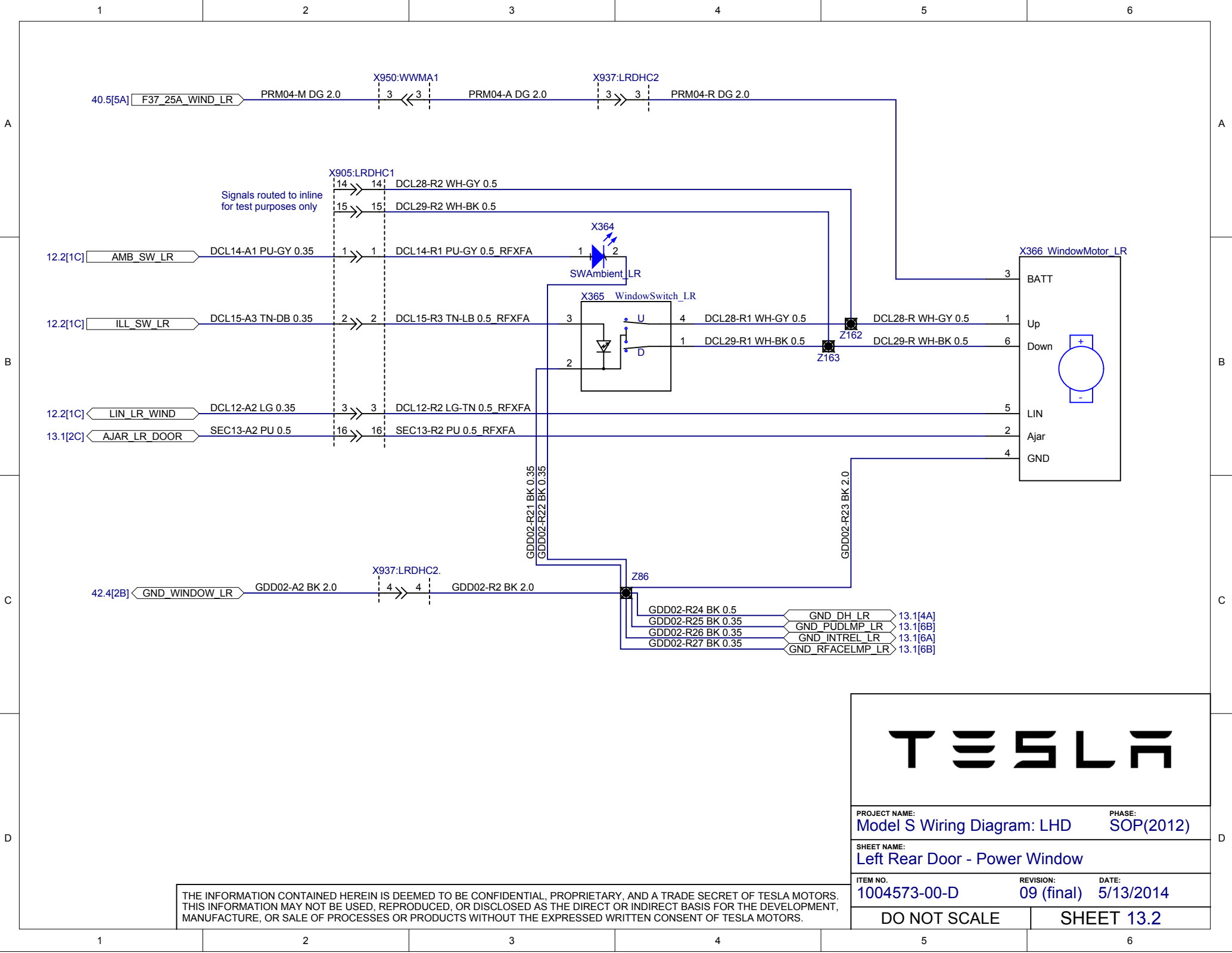
PROJECT NAME: Model S Wiring Diagram: LHD PHASE: SOP(2012)

SHEET NAME: Left Rear Door - Handle and Latch

ITEM NO. 1004573-00-D REVISION: 09 (final) DATE: 5/13/2014

DO NOT SCALE SHEET 13.1

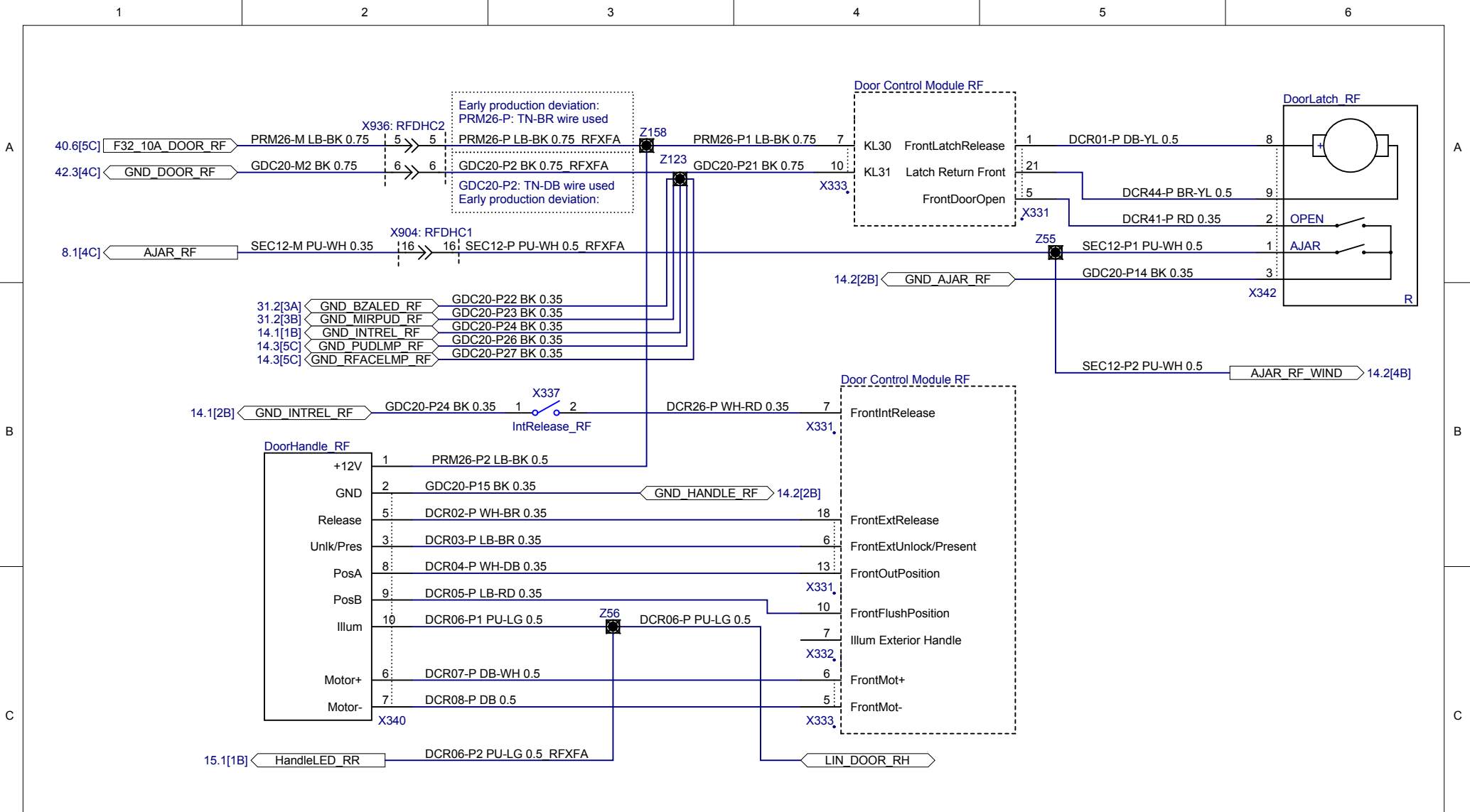
THE INFORMATION CONTAINED HEREIN IS DEEMED TO BE CONFIDENTIAL, PROPRIETARY, AND A TRADE SECRET OF TESLA MOTORS. THIS INFORMATION MAY NOT BE USED, REPRODUCED, OR DISCLOSED AS THE DIRECT OR INDIRECT BASIS FOR THE DEVELOPMENT, MANUFACTURE, OR SALE OF PROCESSES OR PRODUCTS WITHOUT THE EXPRESSED WRITTEN CONSENT OF TESLA MOTORS.



THE INFORMATION CONTAINED HEREIN IS DEEMED TO BE CONFIDENTIAL, PROPRIETARY, AND A TRADE SECRET OF TESLA MOTORS. THIS INFORMATION MAY NOT BE USED, REPRODUCED, OR DISCLOSED AS THE DIRECT OR INDIRECT BASIS FOR THE DEVELOPMENT, MANUFACTURE, OR SALE OF PROCESSES OR PRODUCTS WITHOUT THE EXPRESSED WRITTEN CONSENT OF TESLA MOTORS.

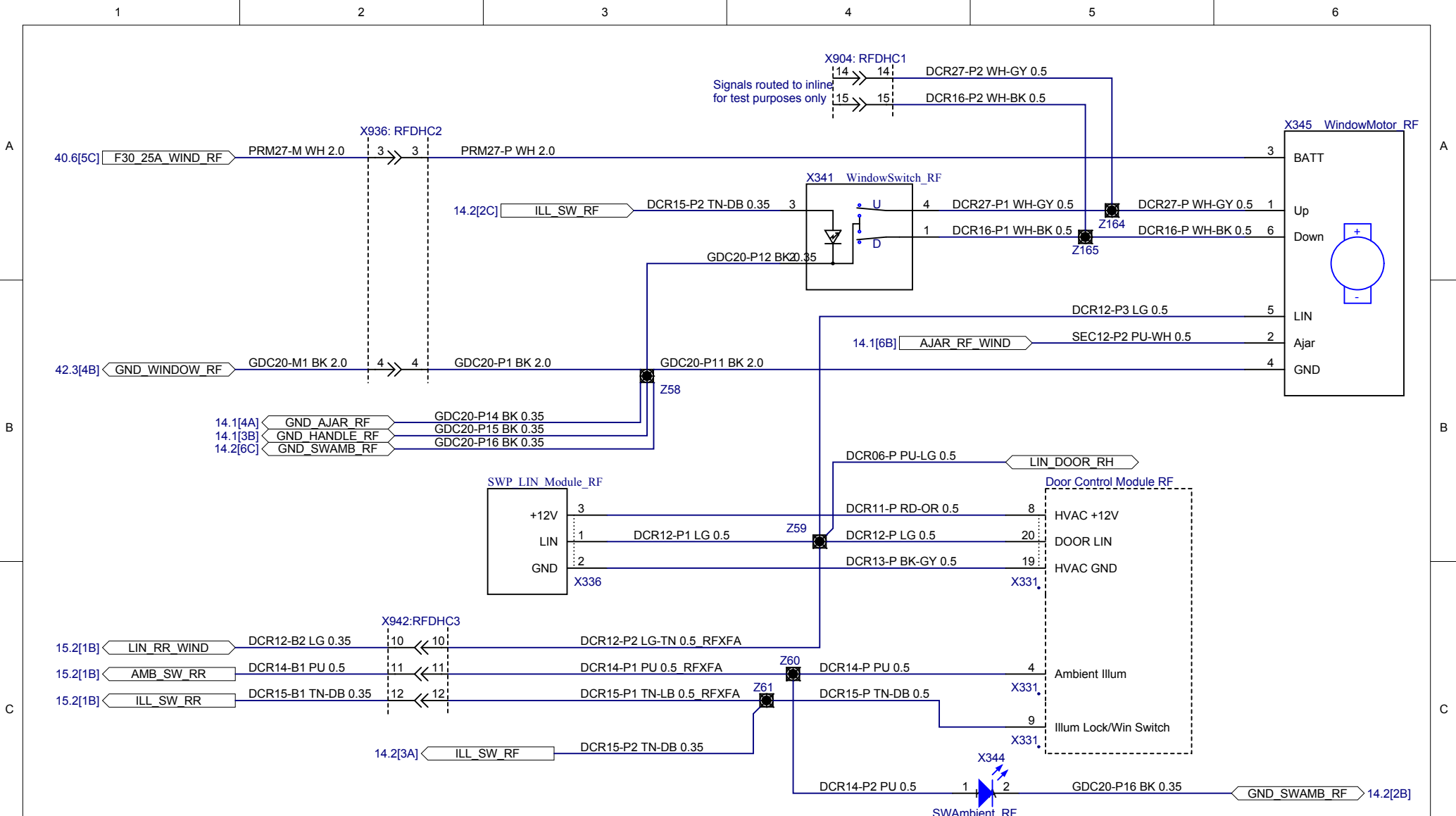
TESLA

PROJECT NAME: Model S Wiring Diagram: LHD		PHASE: SOP(2012)
SHEET NAME: Left Rear Door - Power Window		
ITEM NO. 1004573-00-D	REVISION: 09 (final)	DATE: 5/13/2014
DO NOT SCALE		SHEET 13.2



PROJECT NAME: Model S Wiring Diagram: LHD		PHASE: SOP(2012)
SHEET NAME: Right Front Door - Handle and Latch		
ITEM NO. 1004573-00-D	REVISION: 09 (final)	DATE: 5/13/2014
DO NOT SCALE		SHEET 14.1

THE INFORMATION CONTAINED HEREIN IS DEEMED TO BE CONFIDENTIAL, PROPRIETARY, AND A TRADE SECRET OF TESLA MOTORS. THIS INFORMATION MAY NOT BE USED, REPRODUCED, OR DISCLOSED AS THE DIRECT OR INDIRECT BASIS FOR THE DEVELOPMENT, MANUFACTURE, OR SALE OF PROCESSES OR PRODUCTS WITHOUT THE EXPRESSED WRITTEN CONSENT OF TESLA MOTORS.

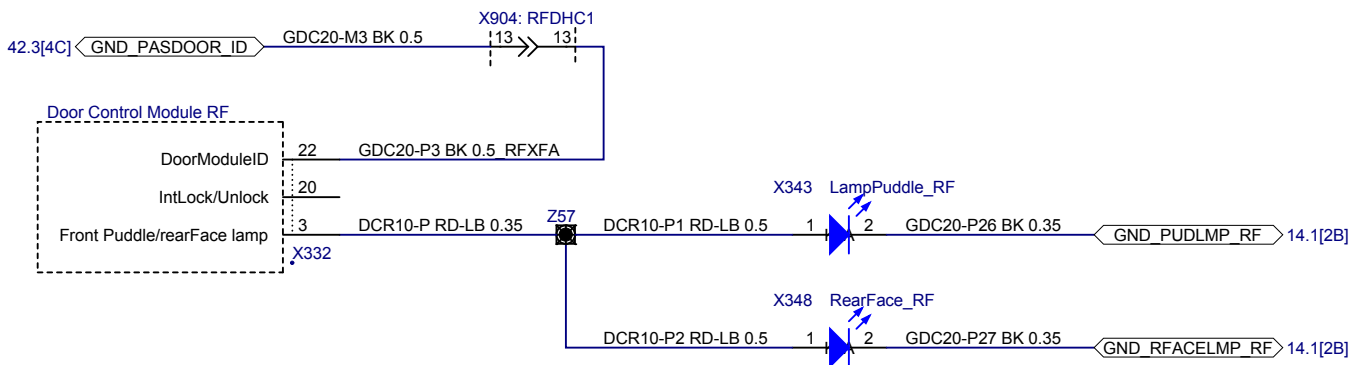


LIN Switch module (X336) installed only on driver's door. Simple window switch wiring is maintained to allow for future RHD models without changing door harness.

TESLA

PROJECT NAME: Model S Wiring Diagram: LHD		PHASE: SOP(2012)	
SHEET NAME: Right Front Door - Window and Switches			
ITEM NO. 1004573-00-D	REVISION: 09 (final)	DATE: 5/13/2014	
DO NOT SCALE		SHEET 14.2	

THE INFORMATION CONTAINED HEREIN IS DEEMED TO BE CONFIDENTIAL, PROPRIETARY, AND A TRADE SECRET OF TESLA MOTORS. THIS INFORMATION MAY NOT BE USED, REPRODUCED, OR DISCLOSED AS THE DIRECT OR INDIRECT BASIS FOR THE DEVELOPMENT, MANUFACTURE, OR SALE OF PROCESSES OR PRODUCTS WITHOUT THE EXPRESSED WRITTEN CONSENT OF TESLA MOTORS.



X332-22 is grounded in LHD to indicate passenger door.



PROJECT NAME: Model S Wiring Diagram: LHD PHASE: SOP(2012)

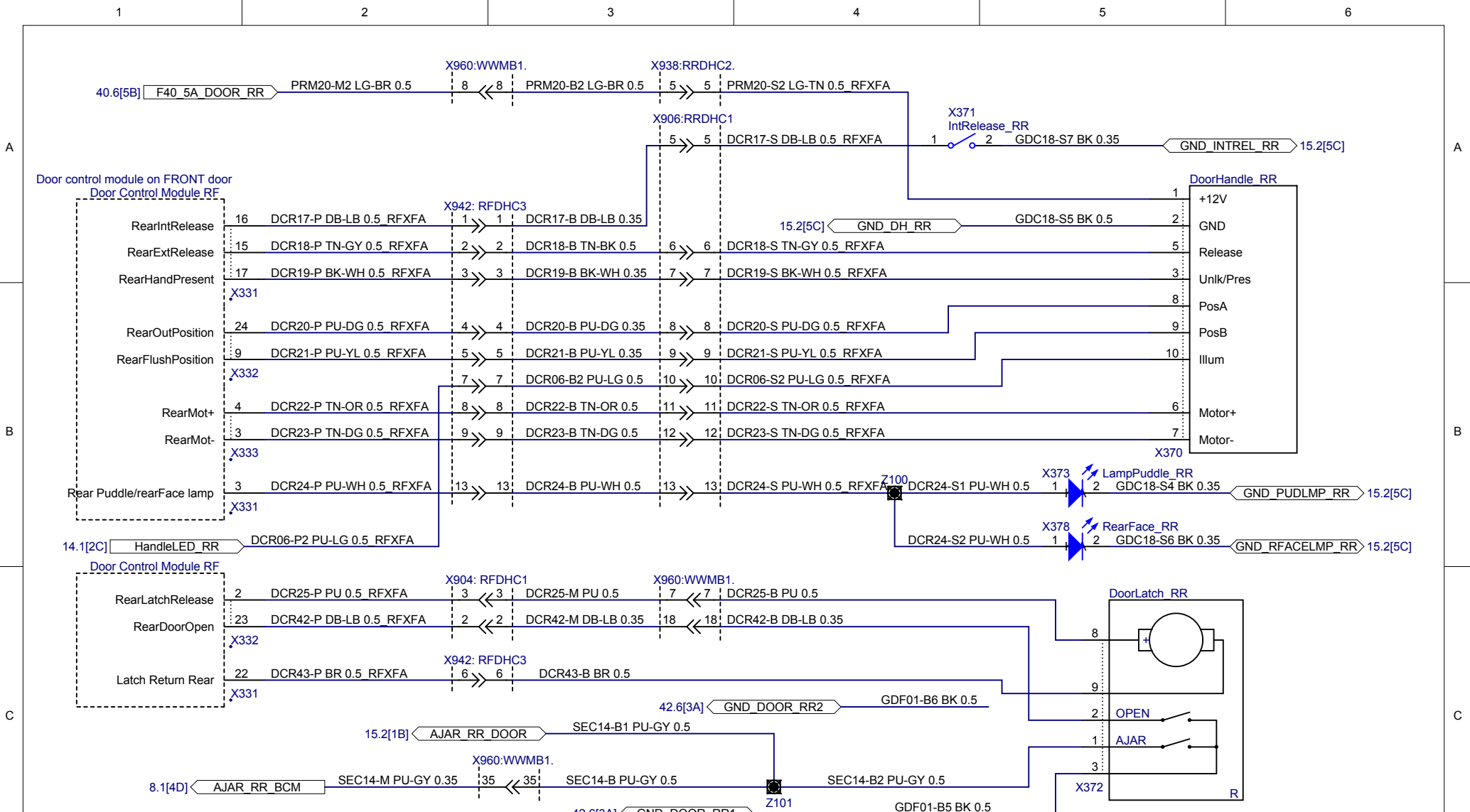
SHEET NAME: Right Front Door - Exterior Illumination

ITEM NO. 1004573-00-D REVISION: 09 (final) DATE: 5/13/2014

DO NOT SCALE

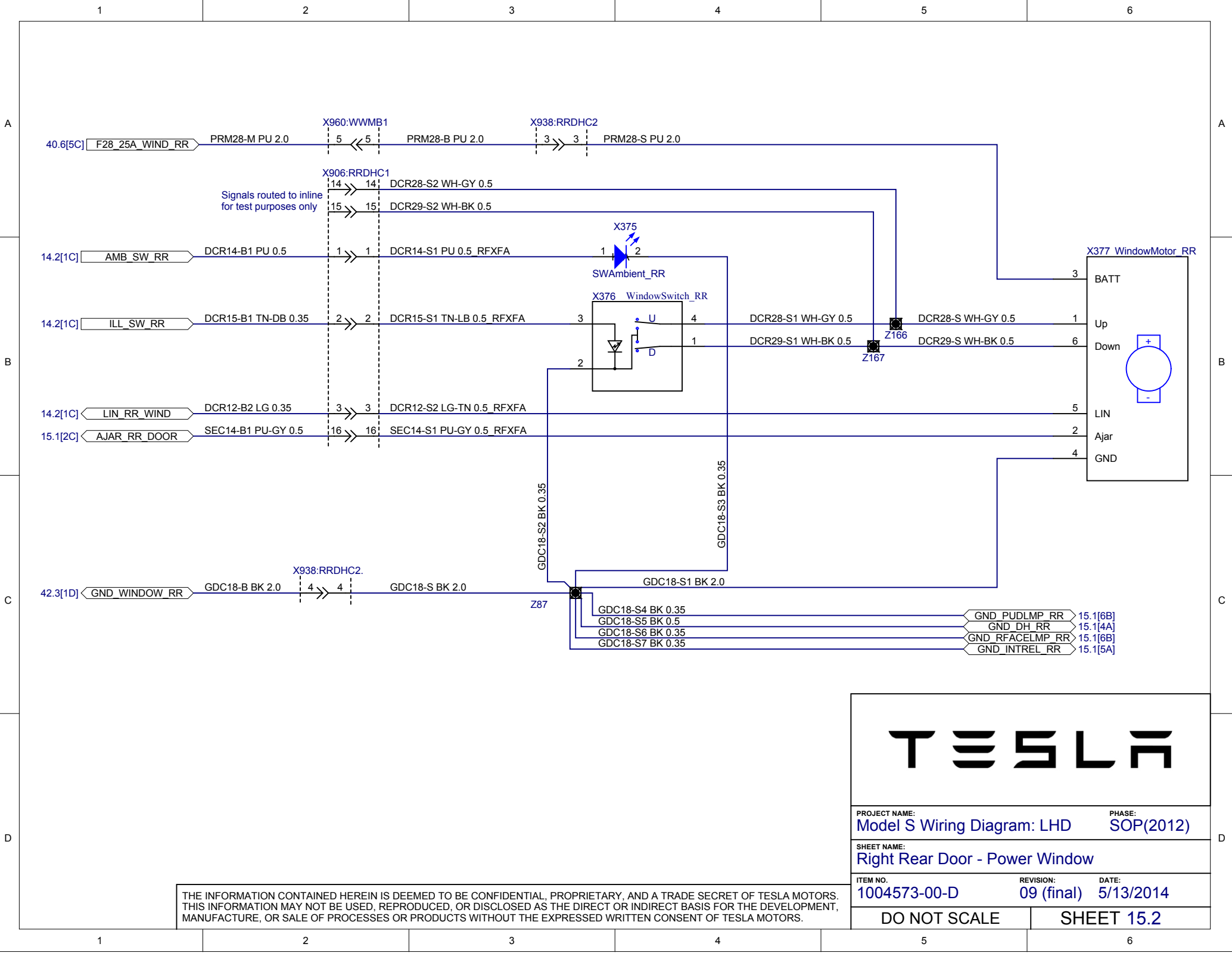
SHEET 14.3

THE INFORMATION CONTAINED HEREIN IS DEEMED TO BE CONFIDENTIAL, PROPRIETARY, AND A TRADE SECRET OF TESLA MOTORS. THIS INFORMATION MAY NOT BE USED, REPRODUCED, OR DISCLOSED AS THE DIRECT OR INDIRECT BASIS FOR THE DEVELOPMENT, MANUFACTURE, OR SALE OF PROCESSES OR PRODUCTS WITHOUT THE EXPRESSED WRITTEN CONSENT OF TESLA MOTORS.



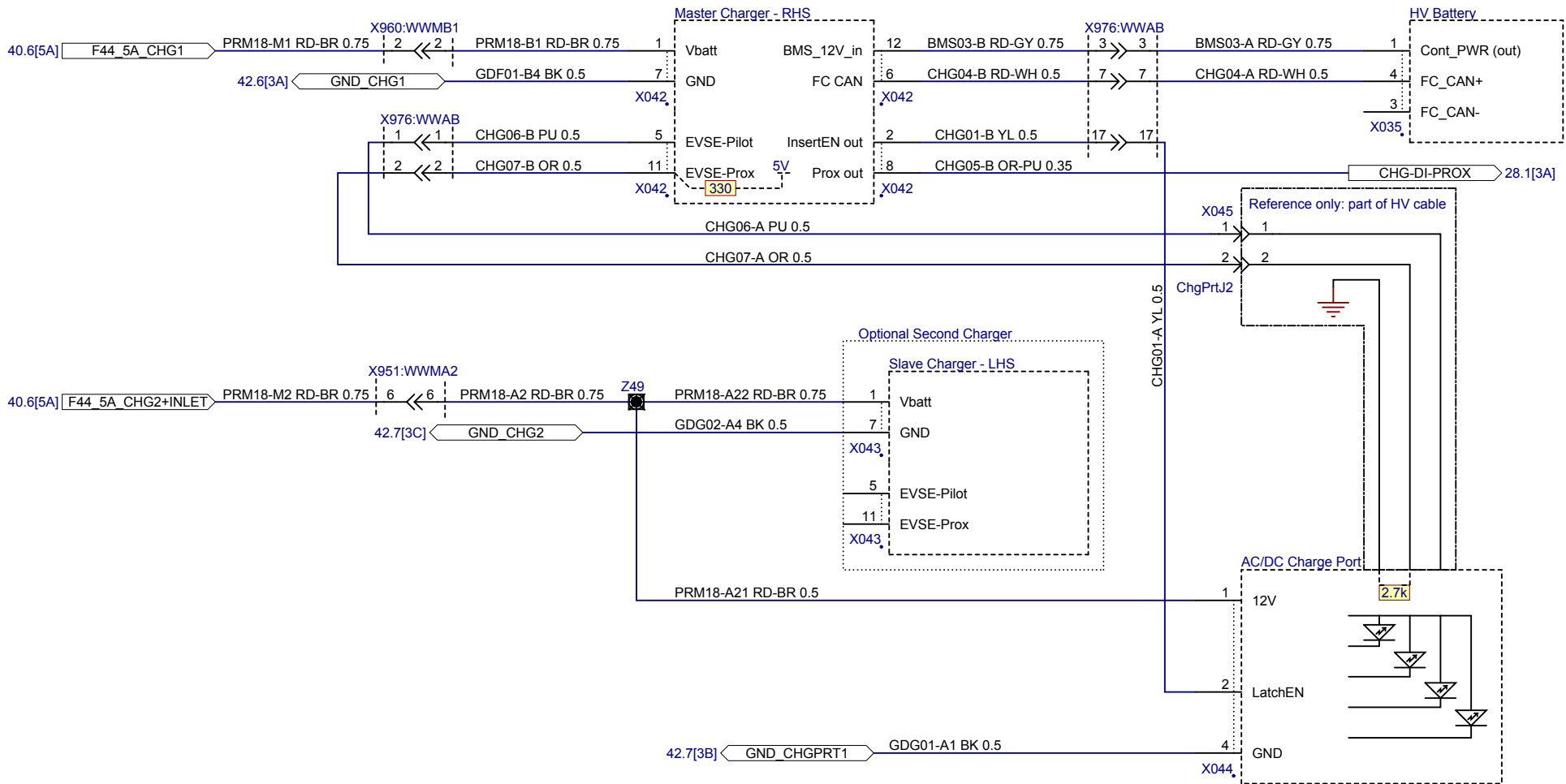
PROJECT NAME: Model S Wiring Diagram: LHD		PHASE: SOP(2012)
SHEET NAME: Right Rear Door - Handle and Latch		
ITEM NO. 1004573-00-D	REVISION: 09 (final)	DATE: 5/13/2014
DO NOT SCALE		SHEET 15.1

THE INFORMATION CONTAINED HEREIN IS DEEMED TO BE CONFIDENTIAL, PROPRIETARY, AND A TRADE SECRET OF TESLA MOTORS. THIS INFORMATION MAY NOT BE USED, REPRODUCED, OR DISCLOSED AS THE DIRECT OR INDIRECT BASIS FOR THE DEVELOPMENT, MANUFACTURE, OR SALE OF PROCESSES OR PRODUCTS WITHOUT THE EXPRESSED WRITTEN CONSENT OF TESLA MOTORS.



PROJECT NAME: Model S Wiring Diagram: LHD		PHASE: SOP(2012)
SHEET NAME: Right Rear Door - Power Window		
ITEM NO. 1004573-00-D	REVISION: 09 (final)	DATE: 5/13/2014
DO NOT SCALE		SHEET 15.2

THE INFORMATION CONTAINED HEREIN IS DEEMED TO BE CONFIDENTIAL, PROPRIETARY, AND A TRADE SECRET OF TESLA MOTORS. THIS INFORMATION MAY NOT BE USED, REPRODUCED, OR DISCLOSED AS THE DIRECT OR INDIRECT BASIS FOR THE DEVELOPMENT, MANUFACTURE, OR SALE OF PROCESSES OR PRODUCTS WITHOUT THE EXPRESSED WRITTEN CONSENT OF TESLA MOTORS.



TESLA

PROJECT NAME: Model S Wiring Diagram: LHD PHASE: SOP(2012)

SHEET NAME: Energy System - Charger Logic Connections

ITEM NO. 1004573-00-D REVISION: 09 (final) DATE: 8/13/2014

DO NOT SCALE

SHEET 16.1

THE INFORMATION CONTAINED HEREIN IS DEEMED TO BE CONFIDENTIAL, PROPRIETARY, AND A TRADE SECRET OF TESLA MOTORS. THIS INFORMATION MAY NOT BE USED, REPRODUCED, OR DISCLOSED AS THE DIRECT OR INDIRECT BASIS FOR THE DEVELOPMENT, MANUFACTURE, OR SALE OF PROCESSES OR PRODUCTS WITHOUT THE EXPRESSED WRITTEN CONSENT OF TESLA MOTORS.

A

A

B

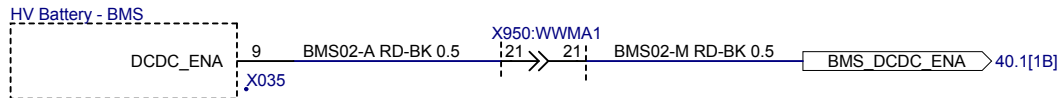
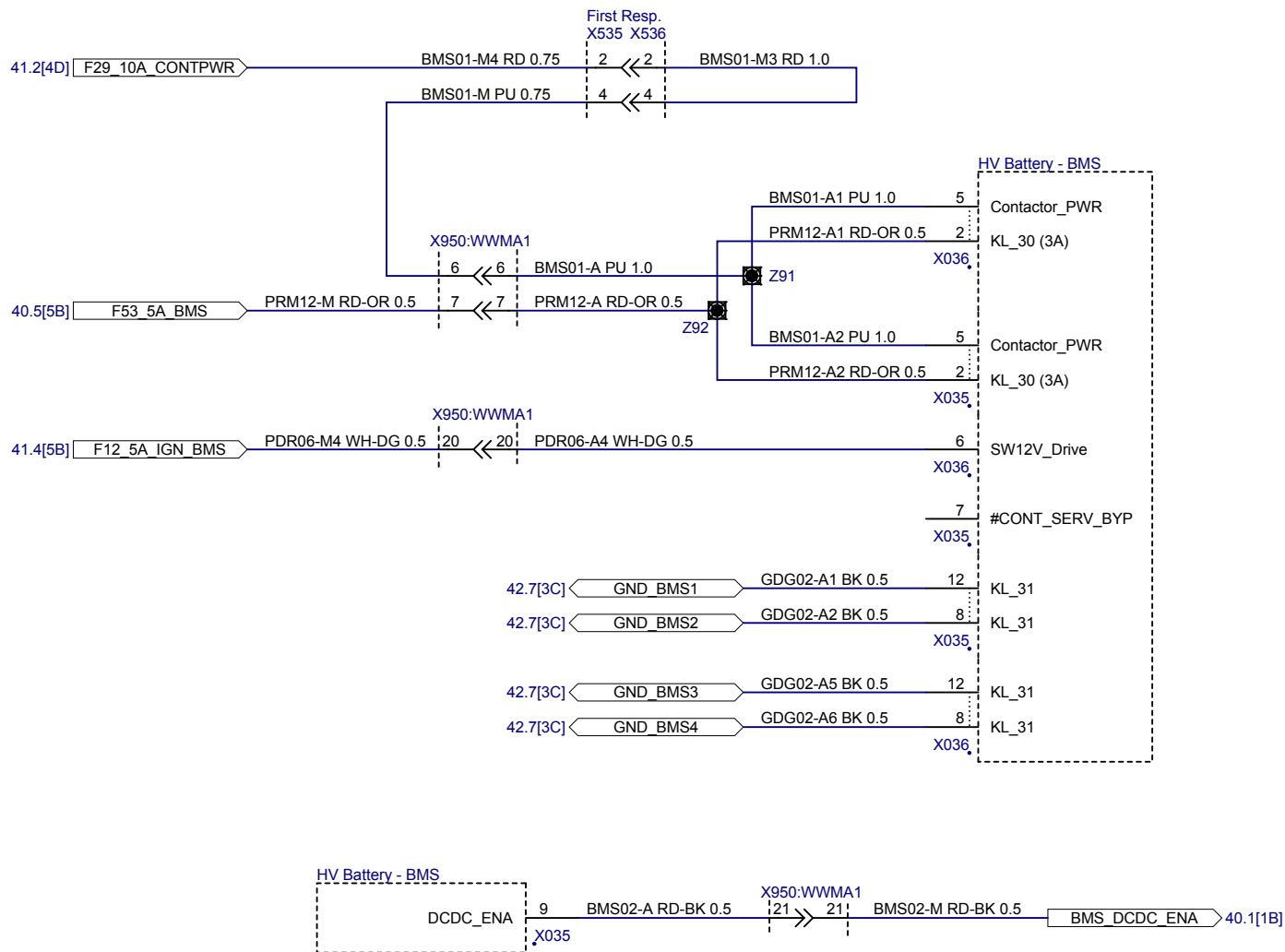
B

C

C

D

D



PROJECT NAME: Model S Wiring Diagram: LHD PHASE: SOP(2012)

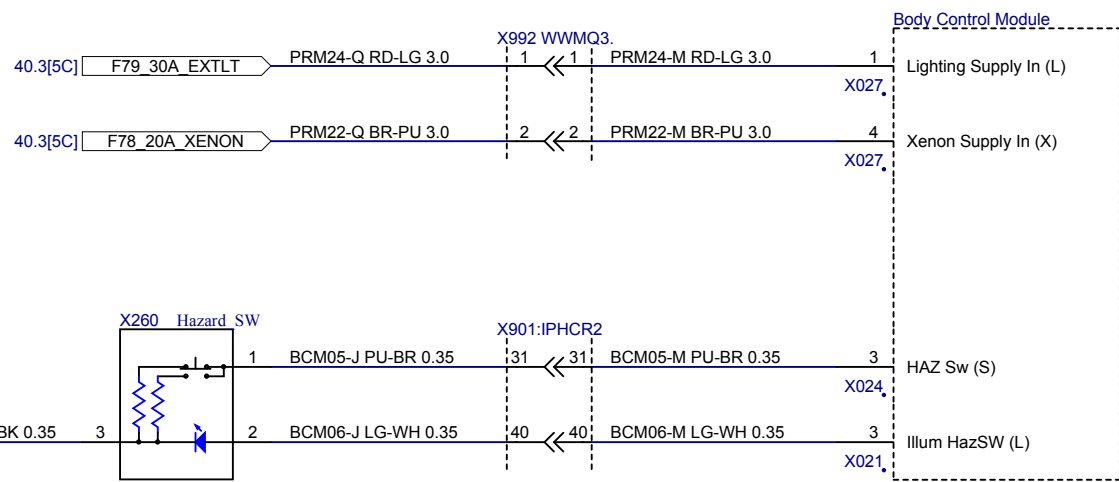
SHEET NAME: ESS + Charger Logic Connections

ITEM NO. 1004573-00-D REVISION: 09 (final) DATE: 5/13/2014

DO NOT SCALE

SHEET 16.2

THE INFORMATION CONTAINED HEREIN IS DEEMED TO BE CONFIDENTIAL, PROPRIETARY, AND A TRADE SECRET OF TESLA MOTORS. THIS INFORMATION MAY NOT BE USED, REPRODUCED, OR DISCLOSED AS THE DIRECT OR INDIRECT BASIS FOR THE DEVELOPMENT, MANUFACTURE, OR SALE OF PROCESSES OR PRODUCTS WITHOUT THE EXPRESSED WRITTEN CONSENT OF TESLA MOTORS.



PROJECT NAME: Model S Wiring Diagram: LHD		PHASE: SOP(2012)
SHEET NAME: Exterior Illumination - Front - Inputs		
ITEM NO. 1004573-00-D	REVISION: 09 (final)	DATE: 5/13/2014
DO NOT SCALE		SHEET 17.1

THE INFORMATION CONTAINED HEREIN IS DEEMED TO BE CONFIDENTIAL, PROPRIETARY, AND A TRADE SECRET OF TESLA MOTORS. THIS INFORMATION MAY NOT BE USED, REPRODUCED, OR DISCLOSED AS THE DIRECT OR INDIRECT BASIS FOR THE DEVELOPMENT, MANUFACTURE, OR SALE OF PROCESSES OR PRODUCTS WITHOUT THE EXPRESSED WRITTEN CONSENT OF TESLA MOTORS.

A

A

B

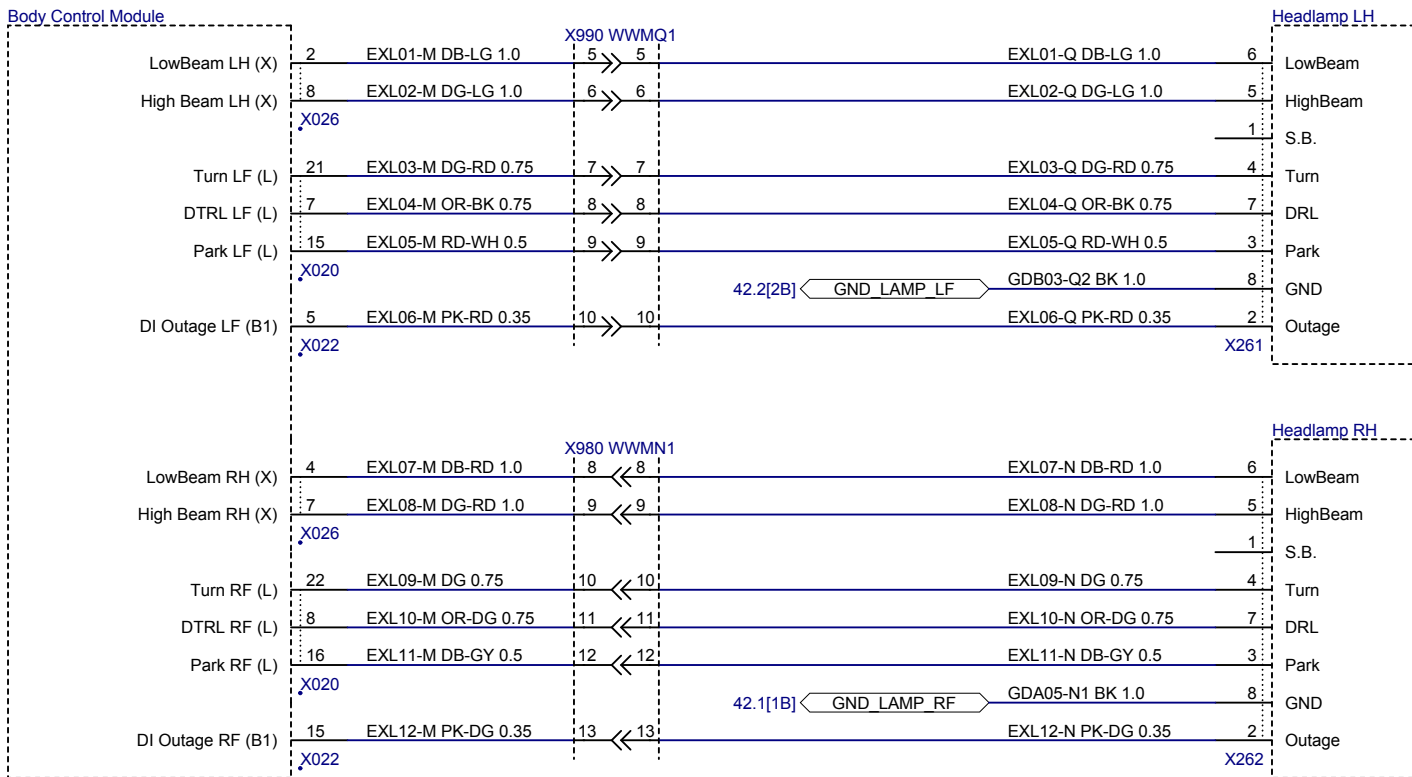
B

C

C

D

D



PROJECT NAME: Model S Wiring Diagram: LHD PHASE: SOP(2012)

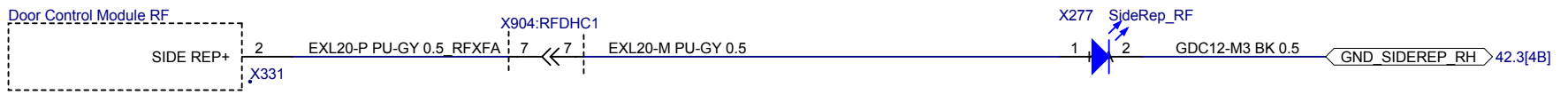
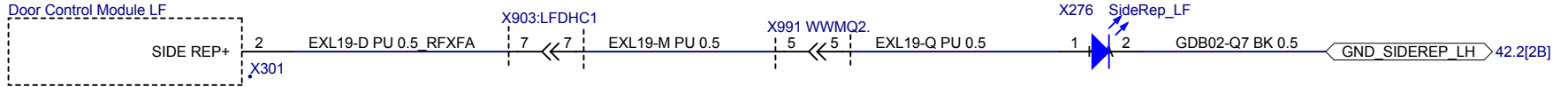
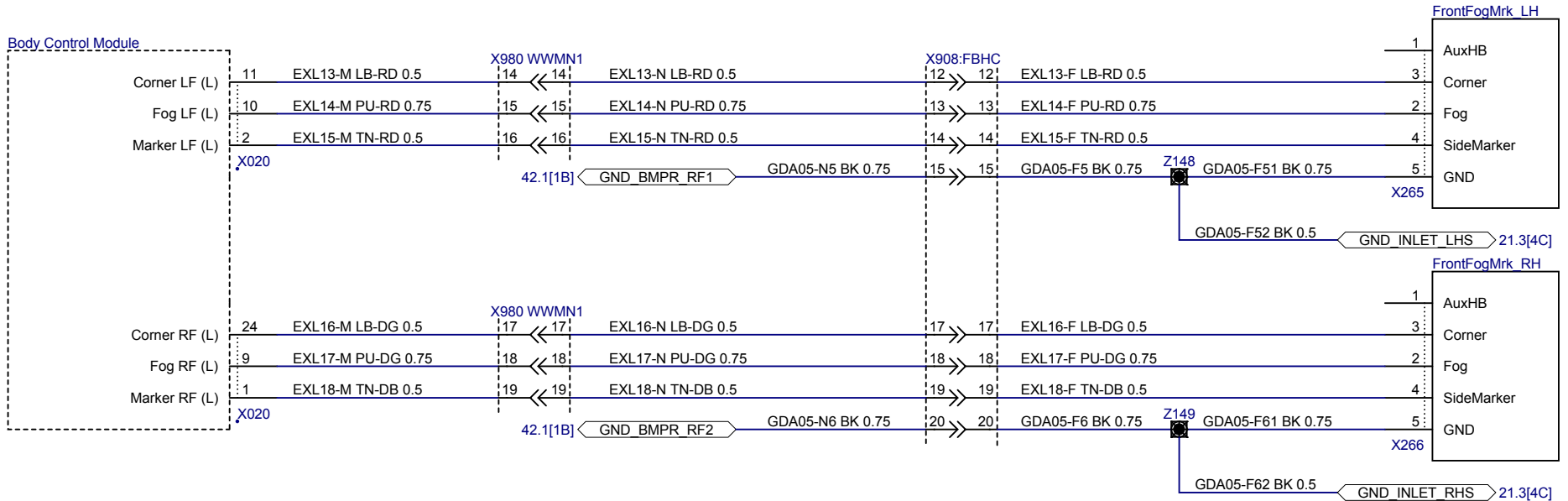
SHEET NAME: Exterior Illumination - Headlamps

ITEM NO. 1004573-00-D REVISION: 09 (final) DATE: 5/13/2014

DO NOT SCALE

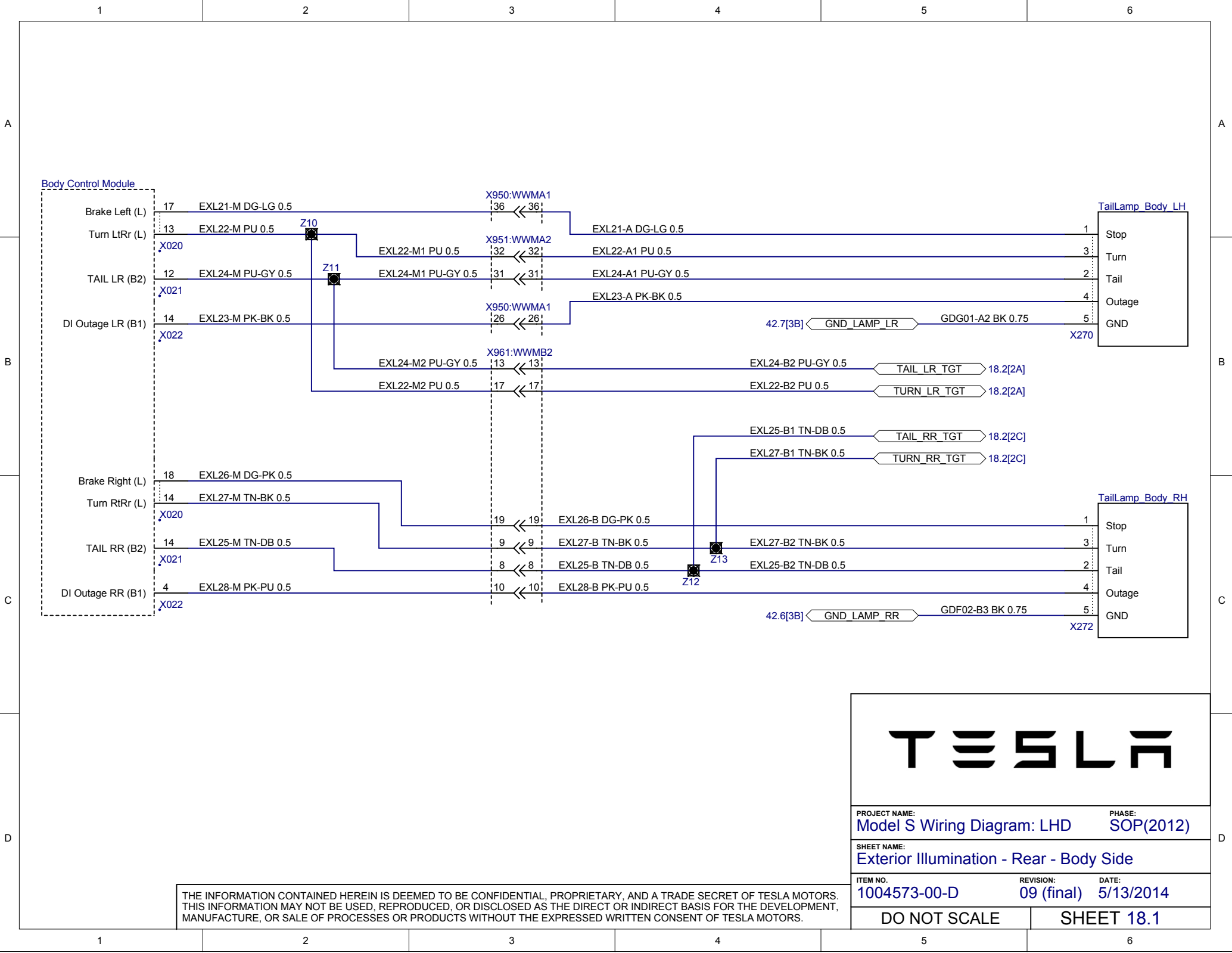
SHEET 17.2

THE INFORMATION CONTAINED HEREIN IS DEEMED TO BE CONFIDENTIAL, PROPRIETARY, AND A TRADE SECRET OF TESLA MOTORS. THIS INFORMATION MAY NOT BE USED, REPRODUCED, OR DISCLOSED AS THE DIRECT OR INDIRECT BASIS FOR THE DEVELOPMENT, MANUFACTURE, OR SALE OF PROCESSES OR PRODUCTS WITHOUT THE EXPRESSED WRITTEN CONSENT OF TESLA MOTORS.



PROJECT NAME: Model S Wiring Diagram: LHD		PHASE: SOP(2012)	
SHEET NAME: Exterior Illumination - Front Facia, Side Repeaters			
ITEM NO. 1004573-00-D	REVISION: 09 (final)	DATE: 5/13/2014	
DO NOT SCALE		SHEET 17.3	

THE INFORMATION CONTAINED HEREIN IS DEEMED TO BE CONFIDENTIAL, PROPRIETARY, AND A TRADE SECRET OF TESLA MOTORS. THIS INFORMATION MAY NOT BE USED, REPRODUCED, OR DISCLOSED AS THE DIRECT OR INDIRECT BASIS FOR THE DEVELOPMENT, MANUFACTURE, OR SALE OF PROCESSES OR PRODUCTS WITHOUT THE EXPRESSED WRITTEN CONSENT OF TESLA MOTORS.



Body Control Module

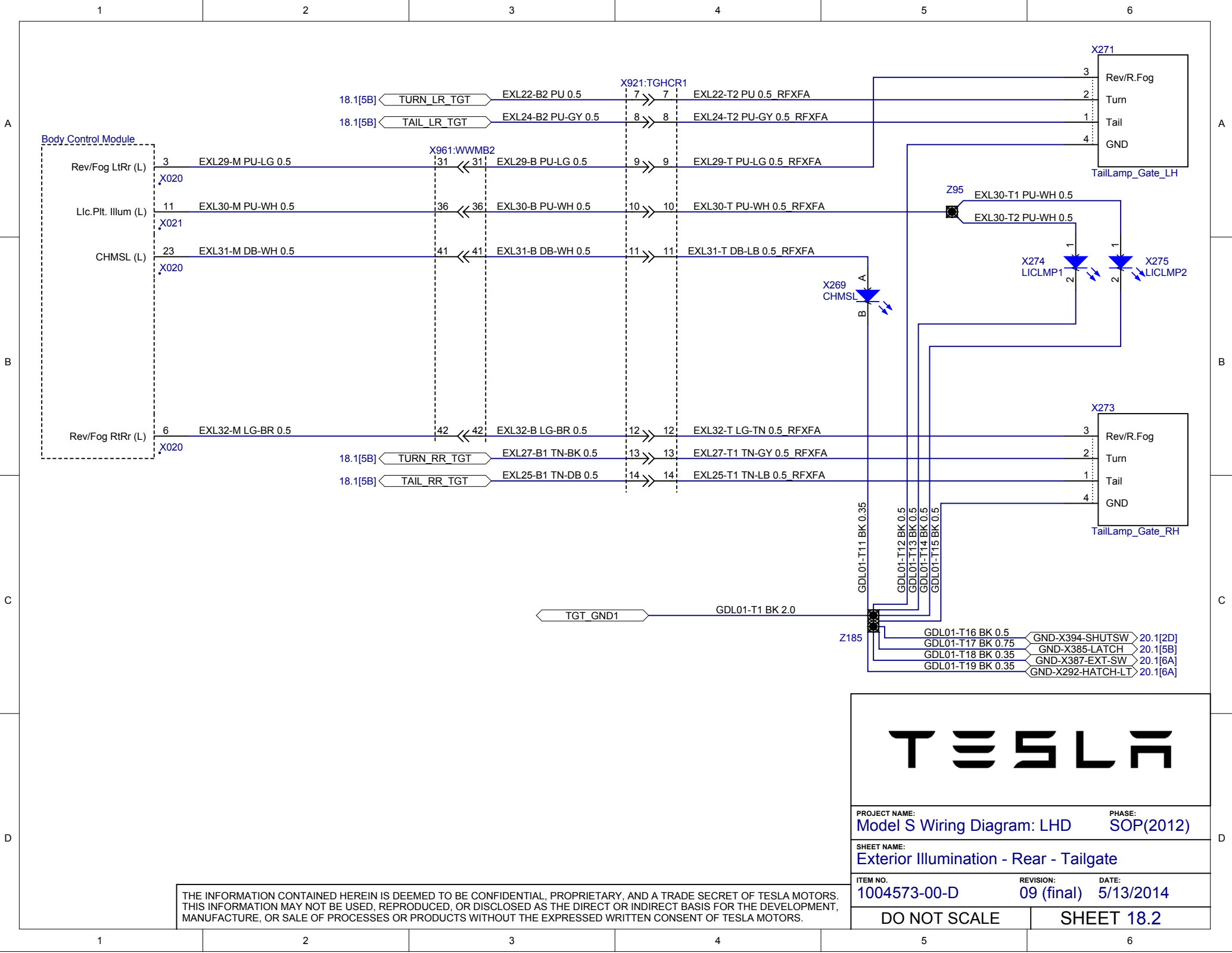
TailLamp Body LH

TailLamp Body RH

THE INFORMATION CONTAINED HEREIN IS DEEMED TO BE CONFIDENTIAL, PROPRIETARY, AND A TRADE SECRET OF TESLA MOTORS. THIS INFORMATION MAY NOT BE USED, REPRODUCED, OR DISCLOSED AS THE DIRECT OR INDIRECT BASIS FOR THE DEVELOPMENT, MANUFACTURE, OR SALE OF PROCESSES OR PRODUCTS WITHOUT THE EXPRESSED WRITTEN CONSENT OF TESLA MOTORS.

TESLA

PROJECT NAME: Model S Wiring Diagram: LHD	PHASE: SOP(2012)
SHEET NAME: Exterior Illumination - Rear - Body Side	
ITEM NO. 1004573-00-D	REVISION: 09 (final) DATE: 5/13/2014
DO NOT SCALE	SHEET 18.1



PROJECT NAME: **Model S Wiring Diagram: LHD** PHASE: **SOP(2012)**

SHEET NAME: **Exterior Illumination - Rear - Tailgate**

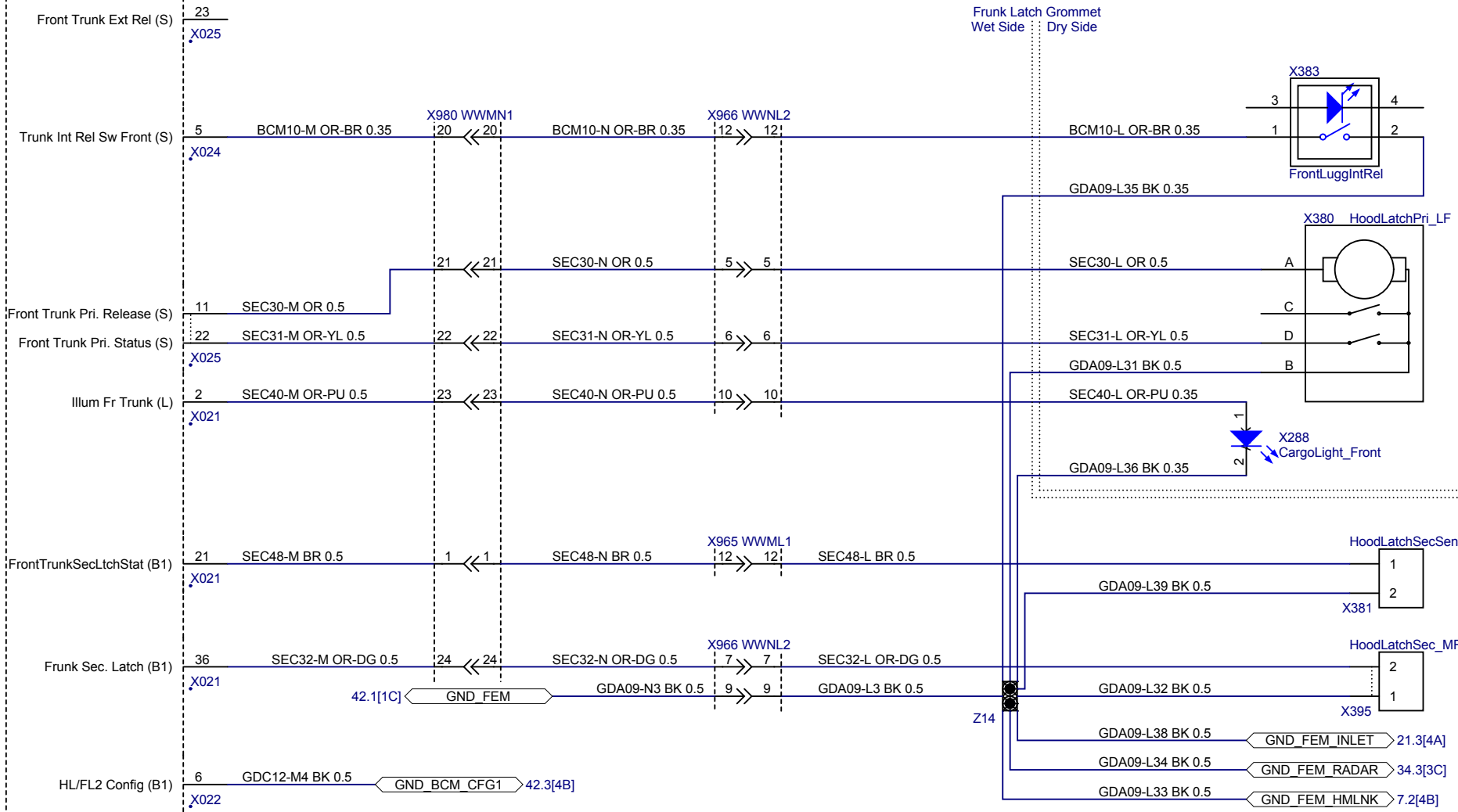
ITEM NO. **1004573-00-D** REVISION: **09 (final)** DATE: **5/13/2014**

DO NOT SCALE

SHEET 18.2

THE INFORMATION CONTAINED HEREIN IS DEEMED TO BE CONFIDENTIAL, PROPRIETARY, AND A TRADE SECRET OF TESLA MOTORS. THIS INFORMATION MAY NOT BE USED, REPRODUCED, OR DISCLOSED AS THE DIRECT OR INDIRECT BASIS FOR THE DEVELOPMENT, MANUFACTURE, OR SALE OF PROCESSES OR PRODUCTS WITHOUT THE EXPRESSED WRITTEN CONSENT OF TESLA MOTORS.

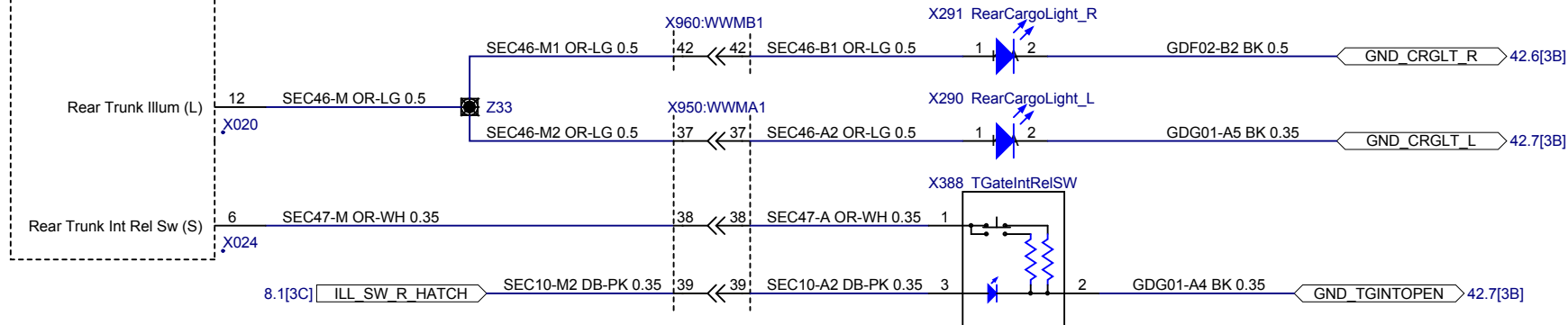
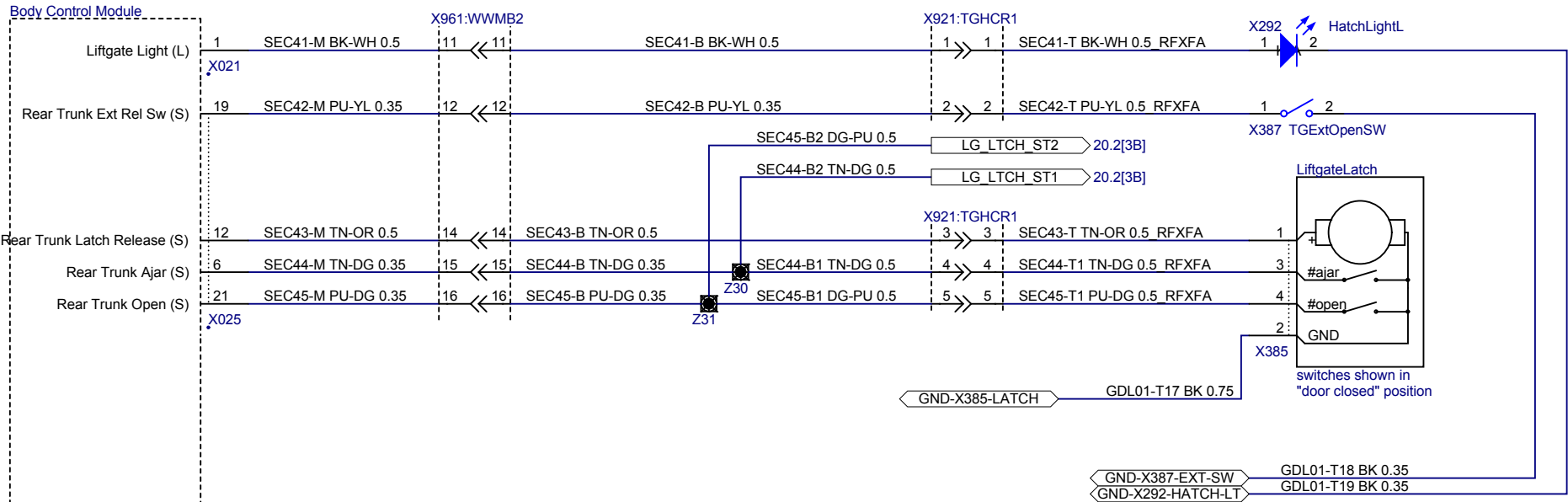
Body Control Module



PROJECT NAME: Model S Wiring Diagram: LHD		PHASE: SOP(2012)
SHEET NAME: Front Hatch Acuator/Sensors		
ITEM NO. 1004573-00-D	REVISION: 09 (final)	DATE: 5/13/2014
DO NOT SCALE		SHEET 19.1

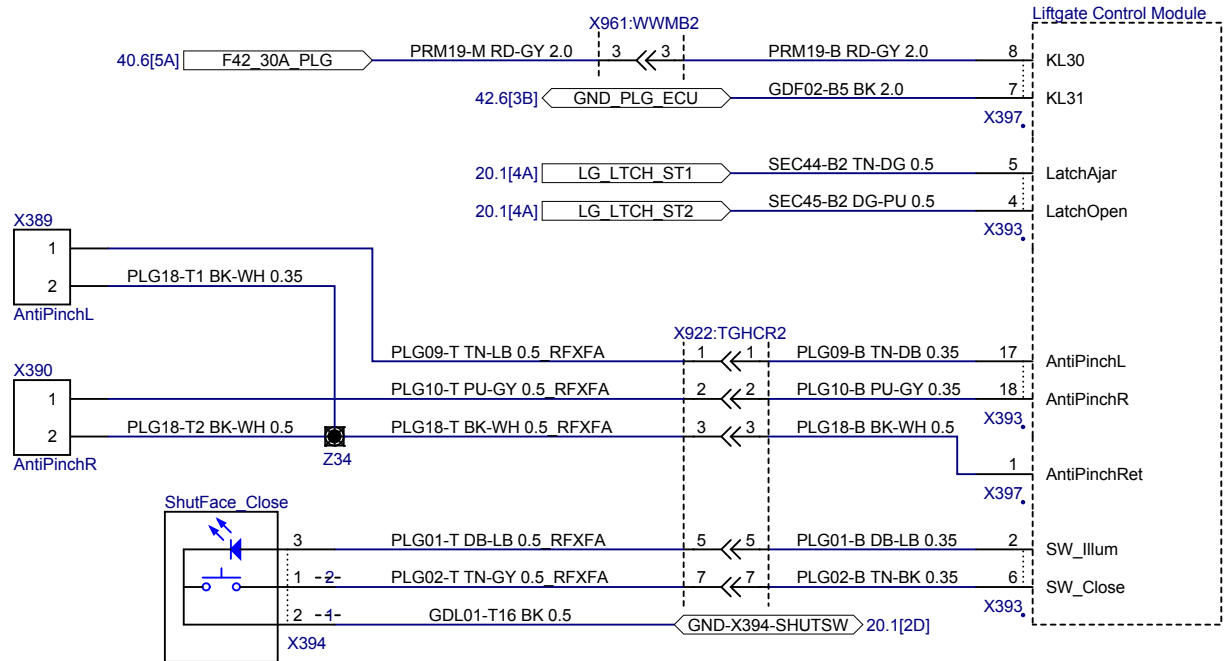
THE INFORMATION CONTAINED HEREIN IS DEEMED TO BE CONFIDENTIAL, PROPRIETARY, AND A TRADE SECRET OF TESLA MOTORS. THIS INFORMATION MAY NOT BE USED, REPRODUCED, OR DISCLOSED AS THE DIRECT OR INDIRECT BASIS FOR THE DEVELOPMENT, MANUFACTURE, OR SALE OF PROCESSES OR PRODUCTS WITHOUT THE EXPRESSED WRITTEN CONSENT OF TESLA MOTORS.

Body Control Module



PROJECT NAME: Model S Wiring Diagram: LHD	PHASE: SOP(2012)
SHEET NAME: Rear Hatch Acuator/Sensors + Liftgate Opt.	
ITEM NO. 1004573-00-D	REVISION: 09 (final)
DATE: 5/13/2014	
DO NOT SCALE	SHEET 20.1

THE INFORMATION CONTAINED HEREIN IS DEEMED TO BE CONFIDENTIAL, PROPRIETARY, AND A TRADE SECRET OF TESLA MOTORS. THIS INFORMATION MAY NOT BE USED, REPRODUCED, OR DISCLOSED AS THE DIRECT OR INDIRECT BASIS FOR THE DEVELOPMENT, MANUFACTURE, OR SALE OF PROCESSES OR PRODUCTS WITHOUT THE EXPRESSED WRITTEN CONSENT OF TESLA MOTORS.



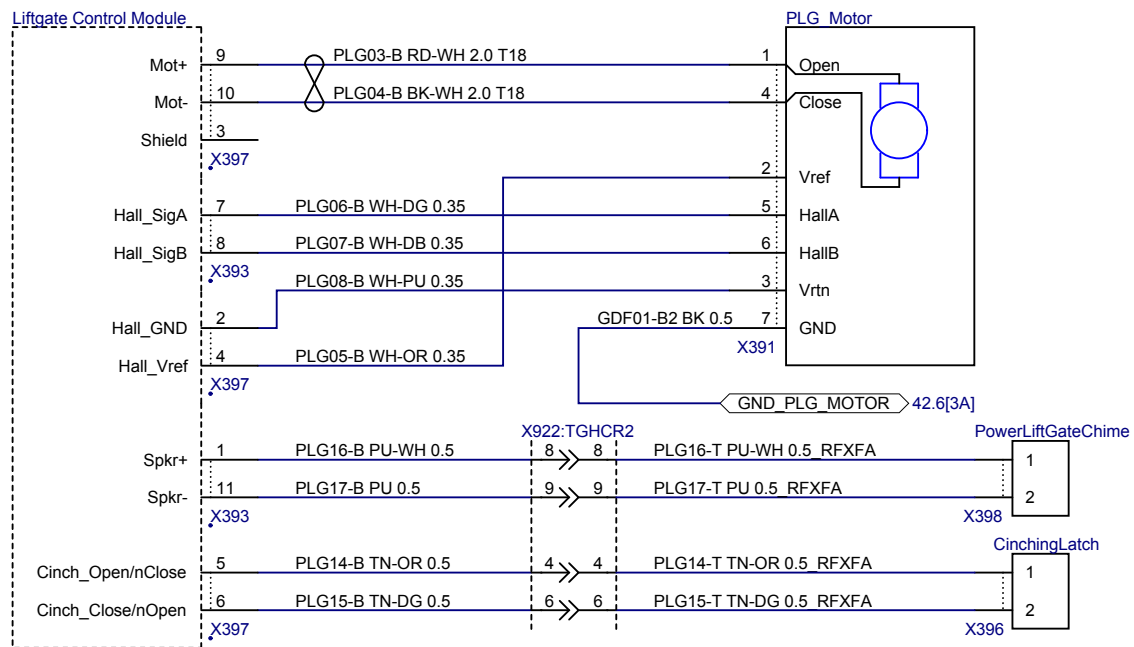
PROJECT NAME: Model S Wiring Diagram: LHD PHASE: SOP(2012)

SHEET NAME: Power LiftGate Option 1/2

ITEM NO. 1004573-00-D REVISION: 09 (final) DATE: 5/13/2014

DO NOT SCALE SHEET 20.2

THE INFORMATION CONTAINED HEREIN IS DEEMED TO BE CONFIDENTIAL, PROPRIETARY, AND A TRADE SECRET OF TESLA MOTORS. THIS INFORMATION MAY NOT BE USED, REPRODUCED, OR DISCLOSED AS THE DIRECT OR INDIRECT BASIS FOR THE DEVELOPMENT, MANUFACTURE, OR SALE OF PROCESSES OR PRODUCTS WITHOUT THE EXPRESSED WRITTEN CONSENT OF TESLA MOTORS.



PROJECT NAME: Model S Wiring Diagram: LHD PHASE: SOP(2012)

SHEET NAME: Power Lift Gate Option 2/2

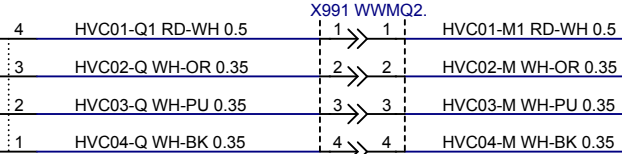
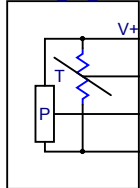
ITEM NO. 1004573-00-D REVISION: 09 (final) DATE: 5/13/2014

DO NOT SCALE

SHEET 20.3

THE INFORMATION CONTAINED HEREIN IS DEEMED TO BE CONFIDENTIAL, PROPRIETARY, AND A TRADE SECRET OF TESLA MOTORS. THIS INFORMATION MAY NOT BE USED, REPRODUCED, OR DISCLOSED AS THE DIRECT OR INDIRECT BASIS FOR THE DEVELOPMENT, MANUFACTURE, OR SALE OF PROCESSES OR PRODUCTS WITHOUT THE EXPRESSED WRITTEN CONSENT OF TESLA MOTORS.

RefDis PT Sns



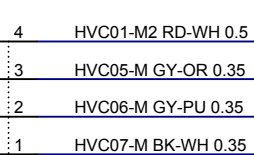
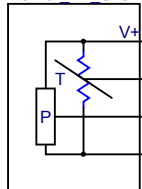
X991 WWMQ2.

Z27

Tesla Thermal Controller

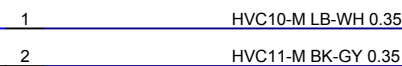


RefRtn PT Sns

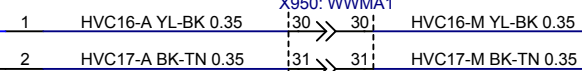


X064

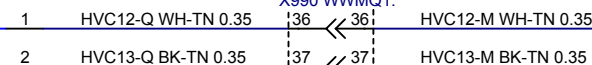
X066



CoolantHtrExitTempSns



PTInletTempSns



BattInletTempSns

X950: WWMMA1

X990 WWMQ1.

X050



PROJECT NAME: Model S Wiring Diagram: LHD PHASE: SOP(2012)

SHEET NAME: HVAC - Temp/Press Sensors

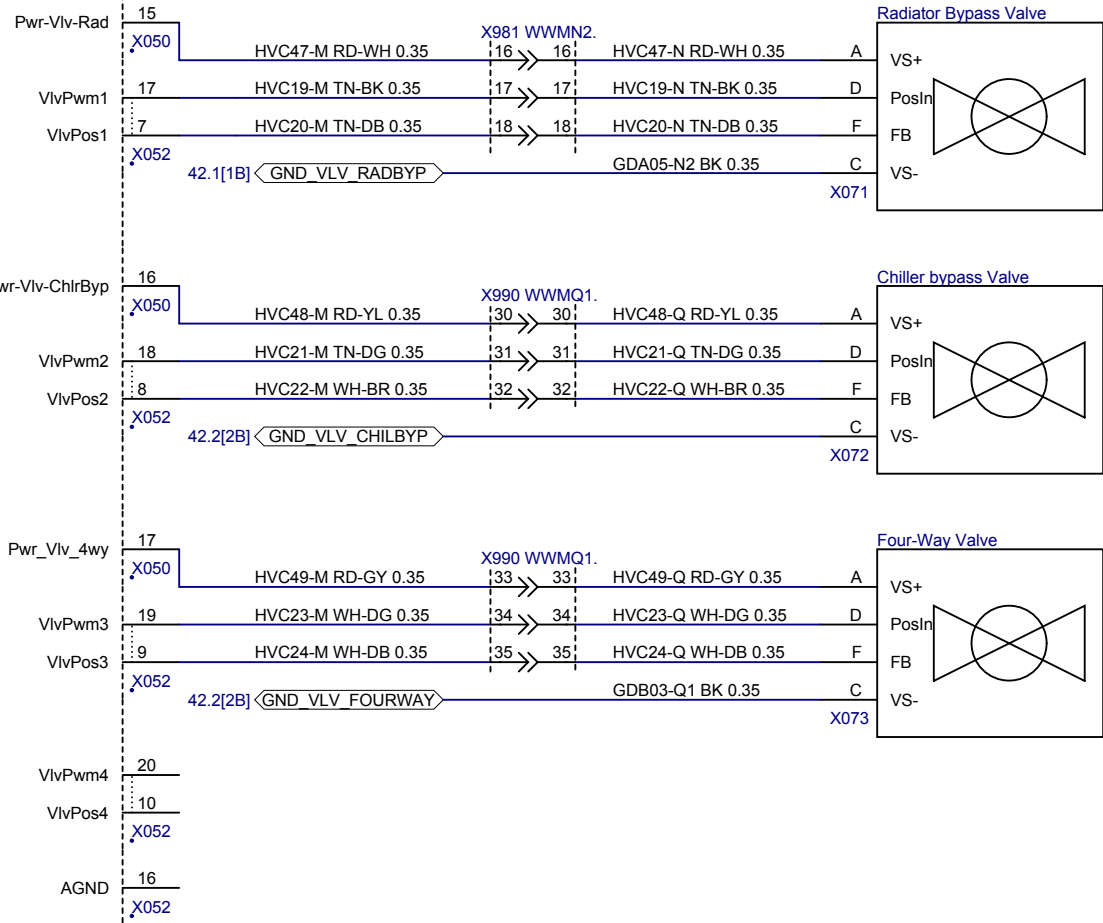
ITEM NO. 1004573-00-D REVISION: 09 (final) DATE: 5/13/2014

DO NOT SCALE

SHEET 21.1

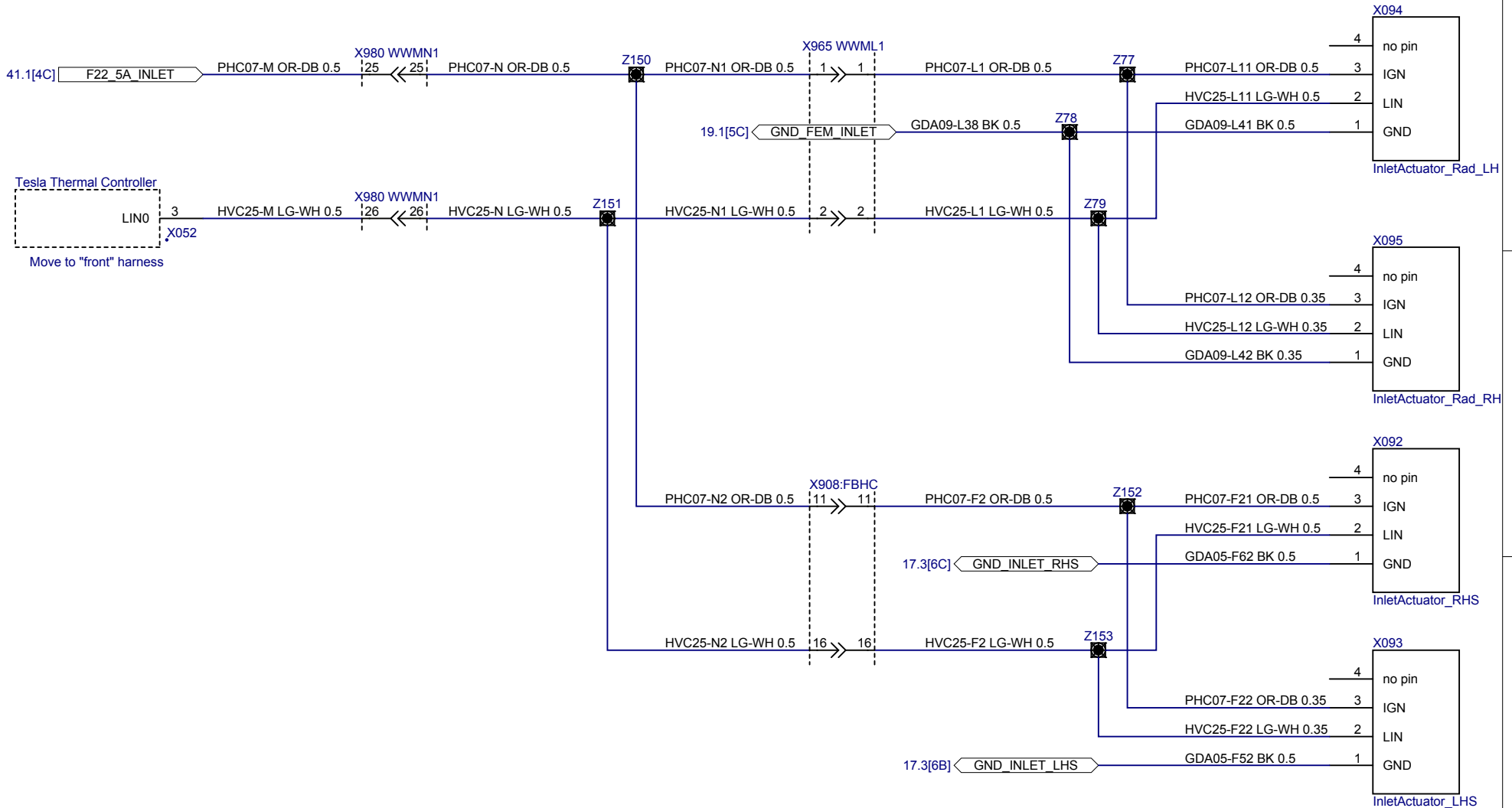
THE INFORMATION CONTAINED HEREIN IS DEEMED TO BE CONFIDENTIAL, PROPRIETARY, AND A TRADE SECRET OF TESLA MOTORS. THIS INFORMATION MAY NOT BE USED, REPRODUCED, OR DISCLOSED AS THE DIRECT OR INDIRECT BASIS FOR THE DEVELOPMENT, MANUFACTURE, OR SALE OF PROCESSES OR PRODUCTS WITHOUT THE EXPRESSED WRITTEN CONSENT OF TESLA MOTORS.

Tesla Thermal Controller



PROJECT NAME: Model S Wiring Diagram: LHD		PHASE: SOP(2012)	
SHEET NAME: HVAC - Valves			
ITEM NO. 1004573-00-D	REVISION: 09 (final)	DATE: 5/13/2014	
DO NOT SCALE		SHEET 21.2	

THE INFORMATION CONTAINED HEREIN IS DEEMED TO BE CONFIDENTIAL, PROPRIETARY, AND A TRADE SECRET OF TESLA MOTORS. THIS INFORMATION MAY NOT BE USED, REPRODUCED, OR DISCLOSED AS THE DIRECT OR INDIRECT BASIS FOR THE DEVELOPMENT, MANUFACTURE, OR SALE OF PROCESSES OR PRODUCTS WITHOUT THE EXPRESSED WRITTEN CONSENT OF TESLA MOTORS.



PROJECT NAME: **Model S Wiring Diagram: LHD** PHASE: **SOP(2012)**

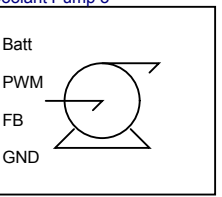
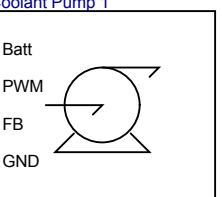
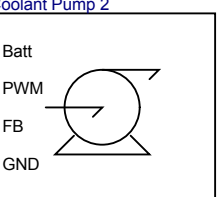
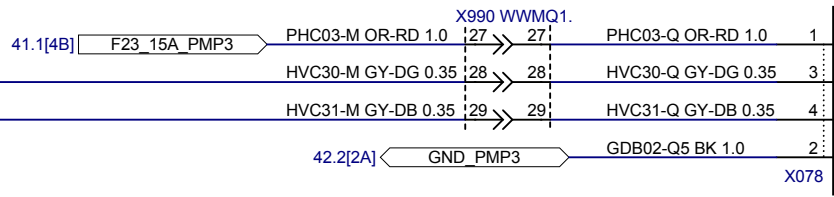
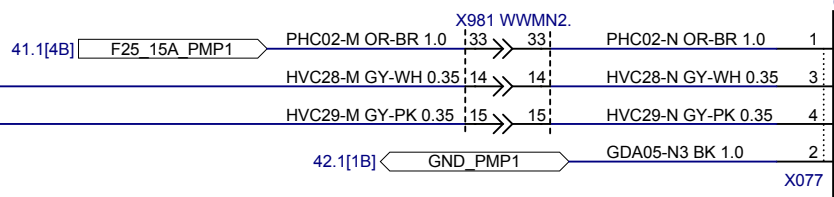
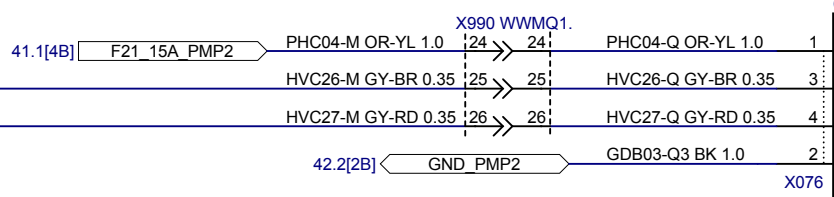
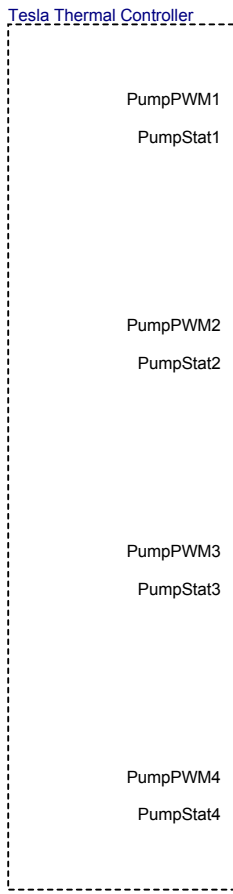
SHEET NAME: **HVAC - Inlet Louvres**

ITEM NO. **1004573-00-D** REVISION: **09 (final)** DATE: **5/13/2014**

DO NOT SCALE

SHEET 21.3

THE INFORMATION CONTAINED HEREIN IS DEEMED TO BE CONFIDENTIAL, PROPRIETARY, AND A TRADE SECRET OF TESLA MOTORS. THIS INFORMATION MAY NOT BE USED, REPRODUCED, OR DISCLOSED AS THE DIRECT OR INDIRECT BASIS FOR THE DEVELOPMENT, MANUFACTURE, OR SALE OF PROCESSES OR PRODUCTS WITHOUT THE EXPRESSED WRITTEN CONSENT OF TESLA MOTORS.



PROJECT NAME: Model S Wiring Diagram: LHD		PHASE: SOP(2012)	
SHEET NAME: HVAC - Pumps			
ITEM NO. 1004573-00-D	REVISION: 09 (final)	DATE: 5/13/2014	
DO NOT SCALE		SHEET 22.1	

THE INFORMATION CONTAINED HEREIN IS DEEMED TO BE CONFIDENTIAL, PROPRIETARY, AND A TRADE SECRET OF TESLA MOTORS. THIS INFORMATION MAY NOT BE USED, REPRODUCED, OR DISCLOSED AS THE DIRECT OR INDIRECT BASIS FOR THE DEVELOPMENT, MANUFACTURE, OR SALE OF PROCESSES OR PRODUCTS WITHOUT THE EXPRESSED WRITTEN CONSENT OF TESLA MOTORS.

A

B

C

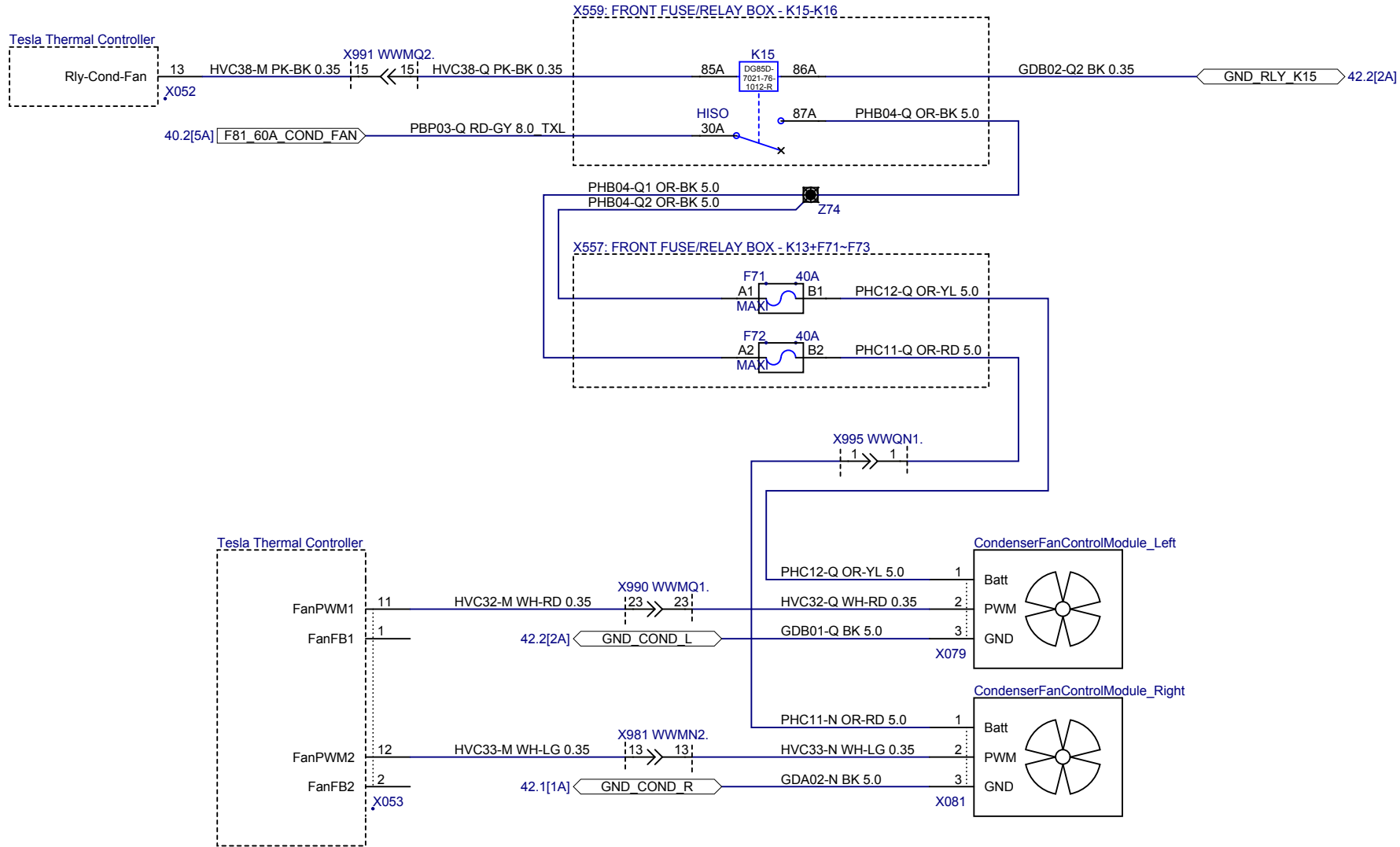
D

A

B

C

D

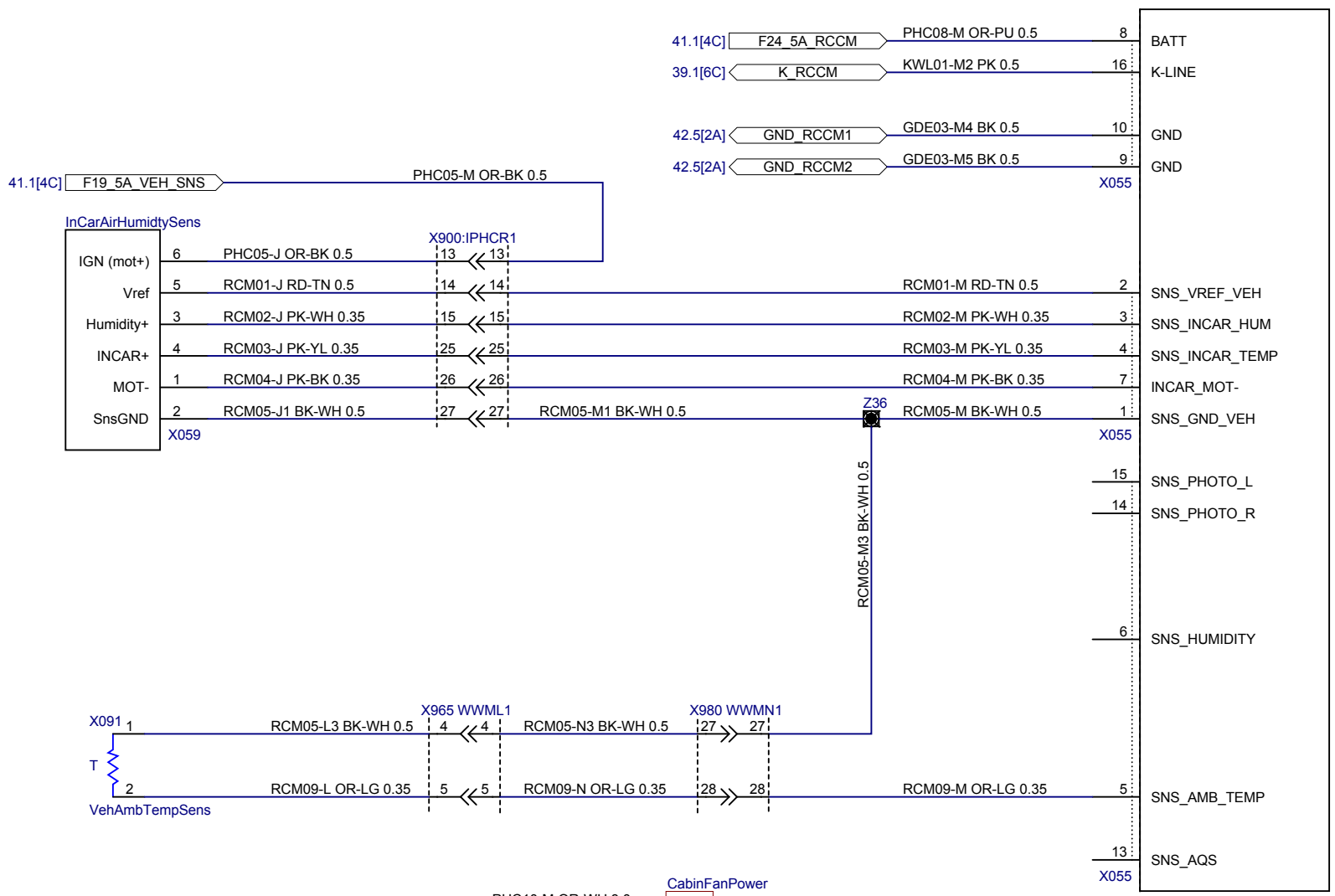


PROJECT NAME: Model S Wiring Diagram: LHD		PHASE: SOP(2012)
SHEET NAME: HVAC - Condenser Fans		
ITEM NO. 1004573-00-D	REVISION: 09 (final)	DATE: 5/13/2014
DO NOT SCALE		SHEET 22.2

THE INFORMATION CONTAINED HEREIN IS DEEMED TO BE CONFIDENTIAL, PROPRIETARY, AND A TRADE SECRET OF TESLA MOTORS. THIS INFORMATION MAY NOT BE USED, REPRODUCED, OR DISCLOSED AS THE DIRECT OR INDIRECT BASIS FOR THE DEVELOPMENT, MANUFACTURE, OR SALE OF PROCESSES OR PRODUCTS WITHOUT THE EXPRESSED WRITTEN CONSENT OF TESLA MOTORS.

A

A



B

B

C

C

D

D



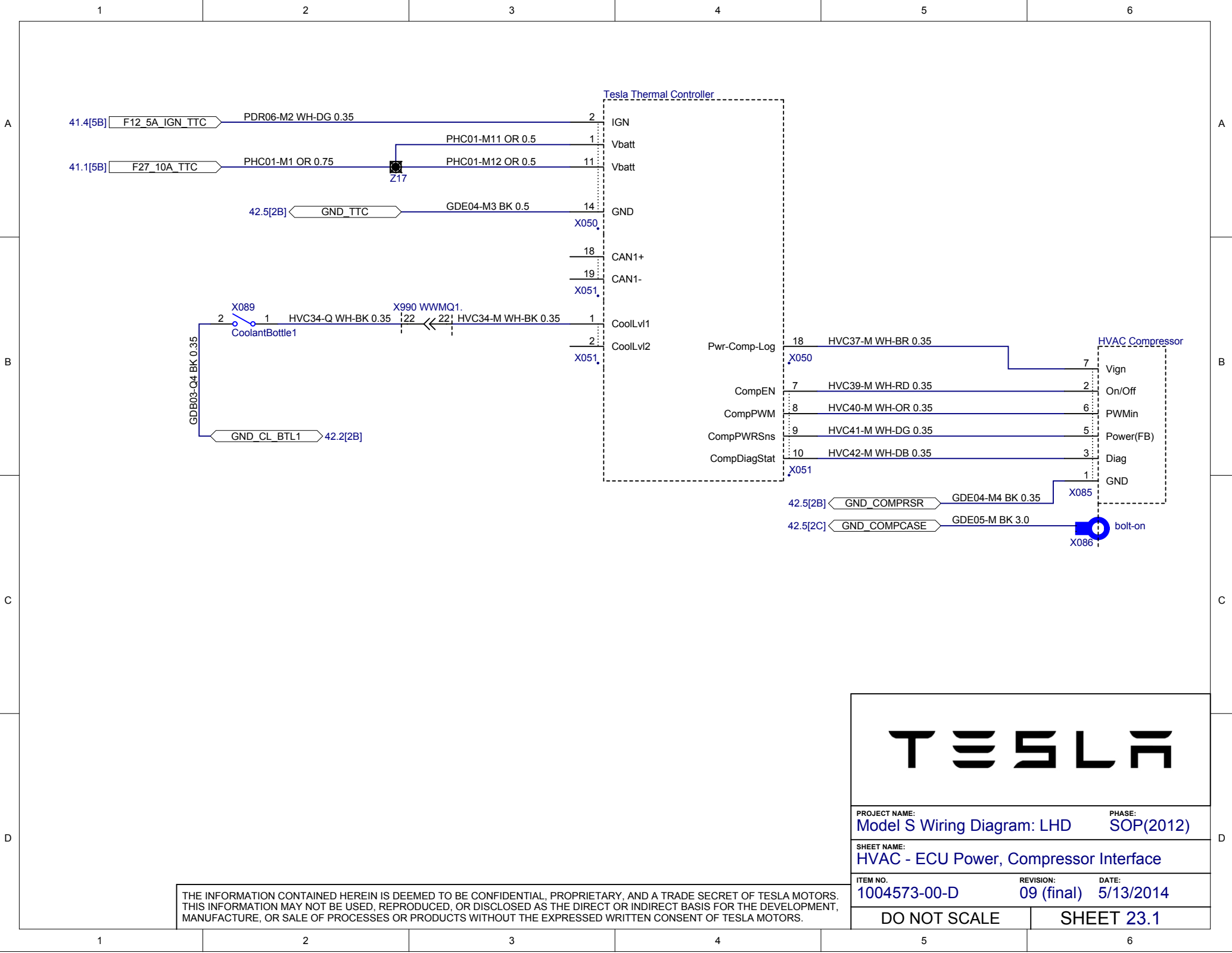
PROJECT NAME: Model S Wiring Diagram: LHD PHASE: SOP(2012)

SHEET NAME: HVAC - Cabin Air Handler, etc.

ITEM NO. 1004573-00-D REVISION: 09 (final) DATE: 5/13/2014

DO NOT SCALE SHEET 22.3

THE INFORMATION CONTAINED HEREIN IS DEEMED TO BE CONFIDENTIAL, PROPRIETARY, AND A TRADE SECRET OF TESLA MOTORS. THIS INFORMATION MAY NOT BE USED, REPRODUCED, OR DISCLOSED AS THE DIRECT OR INDIRECT BASIS FOR THE DEVELOPMENT, MANUFACTURE, OR SALE OF PROCESSES OR PRODUCTS WITHOUT THE EXPRESSED WRITTEN CONSENT OF TESLA MOTORS.



PROJECT NAME: Model S Wiring Diagram: LHD		PHASE: SOP(2012)
SHEET NAME: HVAC - ECU Power, Compressor Interface		
ITEM NO. 1004573-00-D	REVISION: 09 (final)	DATE: 5/13/2014
DO NOT SCALE		SHEET 23.1

THE INFORMATION CONTAINED HEREIN IS DEEMED TO BE CONFIDENTIAL, PROPRIETARY, AND A TRADE SECRET OF TESLA MOTORS. THIS INFORMATION MAY NOT BE USED, REPRODUCED, OR DISCLOSED AS THE DIRECT OR INDIRECT BASIS FOR THE DEVELOPMENT, MANUFACTURE, OR SALE OF PROCESSES OR PRODUCTS WITHOUT THE EXPRESSED WRITTEN CONSENT OF TESLA MOTORS.

A

A

B

B

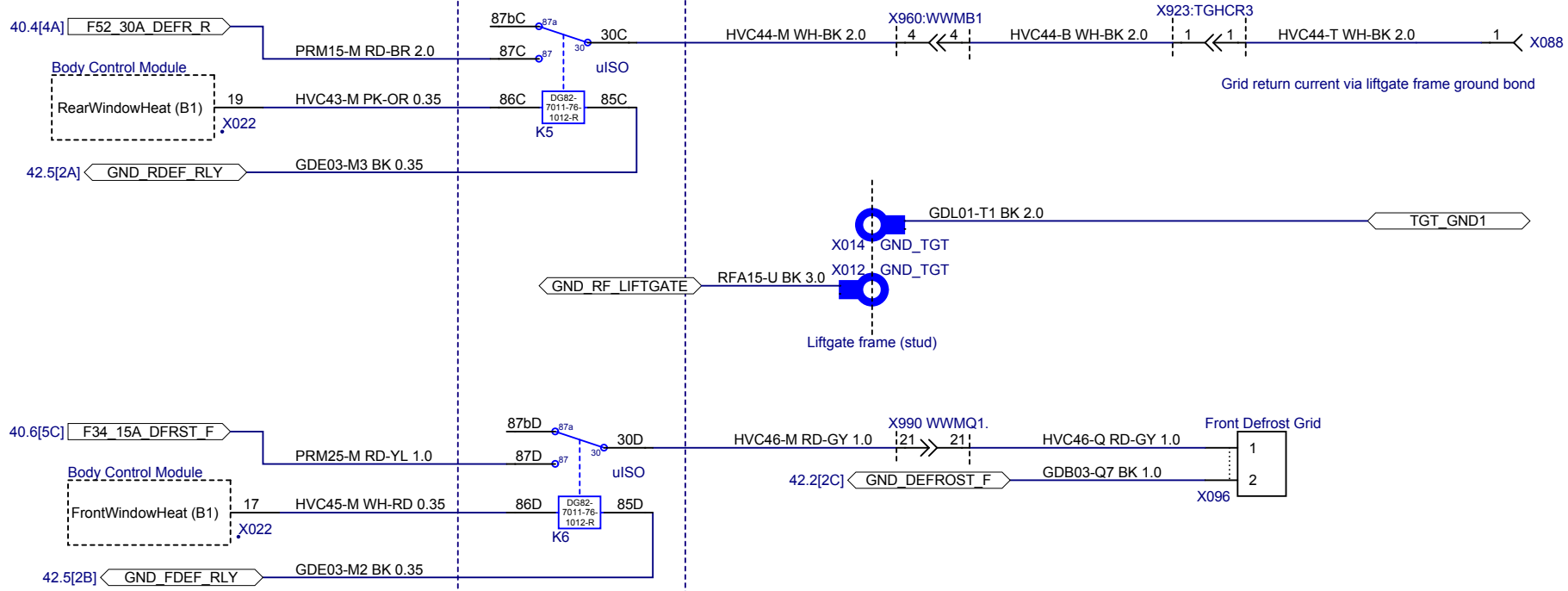
C

C

D

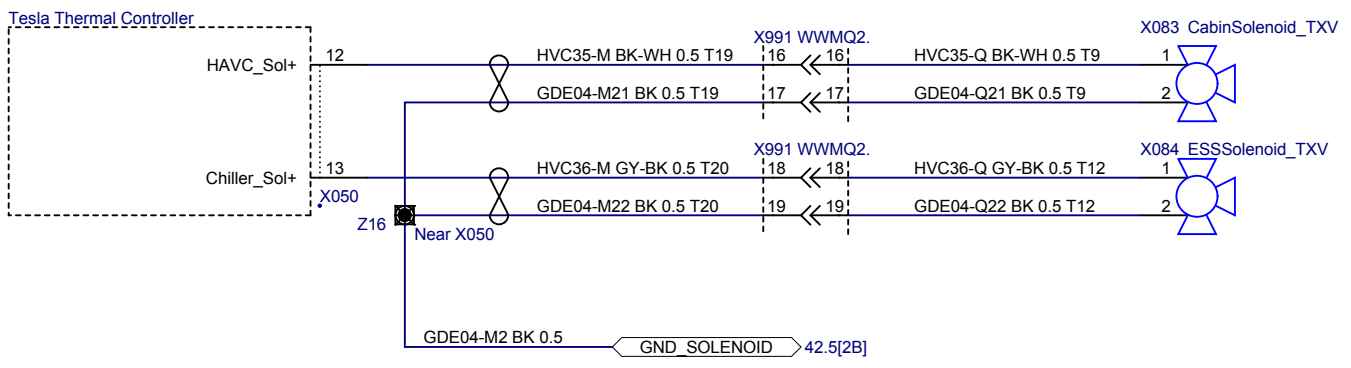
D

X553: CABIN FUSE/RELAY BOX - K3-K6



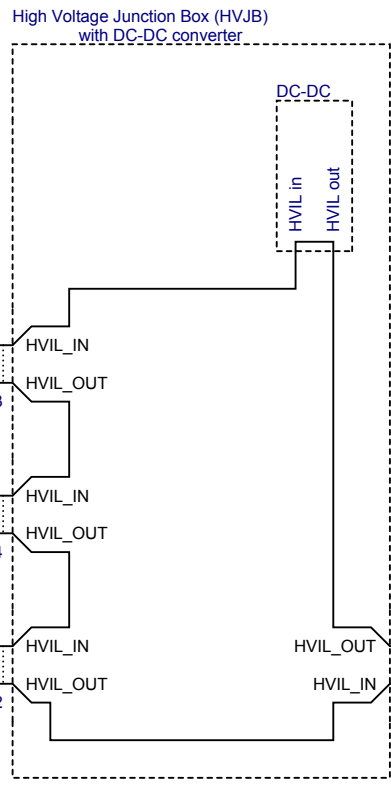
PROJECT NAME: Model S Wiring Diagram: LHD		PHASE: SOP(2012)
SHEET NAME: HVAC - Window Defrost Grids		
ITEM NO. 1004573-00-D	REVISION: 09 (final)	DATE: 5/13/2014
DO NOT SCALE		SHEET 23.2

THE INFORMATION CONTAINED HEREIN IS DEEMED TO BE CONFIDENTIAL, PROPRIETARY, AND A TRADE SECRET OF TESLA MOTORS. THIS INFORMATION MAY NOT BE USED, REPRODUCED, OR DISCLOSED AS THE DIRECT OR INDIRECT BASIS FOR THE DEVELOPMENT, MANUFACTURE, OR SALE OF PROCESSES OR PRODUCTS WITHOUT THE EXPRESSED WRITTEN CONSENT OF TESLA MOTORS.



PROJECT NAME: Model S Wiring Diagram: LHD		PHASE: SOP(2012)
SHEET NAME: HVAC - Solenoids		
ITEM NO. 1004573-00-D	REVISION: 09 (final)	DATE: 5/13/2014
DO NOT SCALE		SHEET 23.3

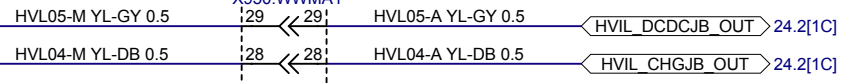
THE INFORMATION CONTAINED HEREIN IS DEEMED TO BE CONFIDENTIAL, PROPRIETARY, AND A TRADE SECRET OF TESLA MOTORS. THIS INFORMATION MAY NOT BE USED, REPRODUCED, OR DISCLOSED AS THE DIRECT OR INDIRECT BASIS FOR THE DEVELOPMENT, MANUFACTURE, OR SALE OF PROCESSES OR PRODUCTS WITHOUT THE EXPRESSED WRITTEN CONSENT OF TESLA MOTORS.



PTC Air Heater
 HV Connector pigtailed
 no HVIL on heater

PTC Coolant Heater
 HV Connector pigtailed
 no HVIL on heater

Compressor
 no HVIL on compressor

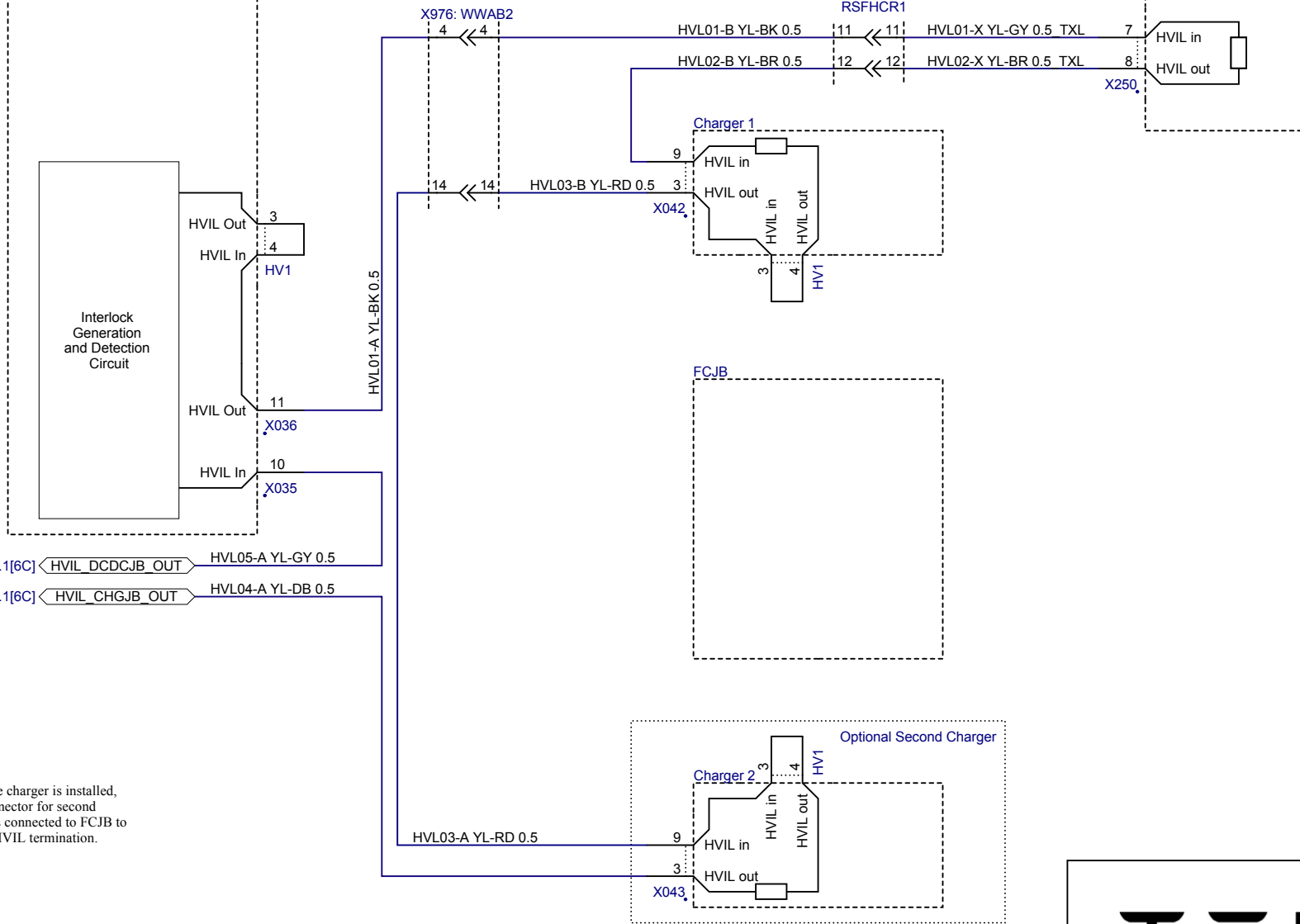


PROJECT NAME: Model S Wiring Diagram: LHD		PHASE: SOP(2012)
SHEET NAME: High Voltage Interlock Connections 1 of 2 (Front)		
ITEM NO. 1004573-00-D	REVISION: 09 (final)	DATE: 5/13/2014
DO NOT SCALE		SHEET 24.1

THE INFORMATION CONTAINED HEREIN IS DEEMED TO BE CONFIDENTIAL, PROPRIETARY, AND A TRADE SECRET OF TESLA MOTORS. THIS INFORMATION MAY NOT BE USED, REPRODUCED, OR DISCLOSED AS THE DIRECT OR INDIRECT BASIS FOR THE DEVELOPMENT, MANUFACTURE, OR SALE OF PROCESSES OR PRODUCTS WITHOUT THE EXPRESSED WRITTEN CONSENT OF TESLA MOTORS.

HV Battery (ESS)

Drive Inverter



24.1[6C] < HVIL_DCDCJB_OUT > HVL05-A YL-GY 0.5
 24.1[6C] < HVIL_CHGJB_OUT > HVL04-A YL-DB 0.5

When one charger is installed, logic connector for second charger is connected to FCJB to provide HVIL termination.

TESLA

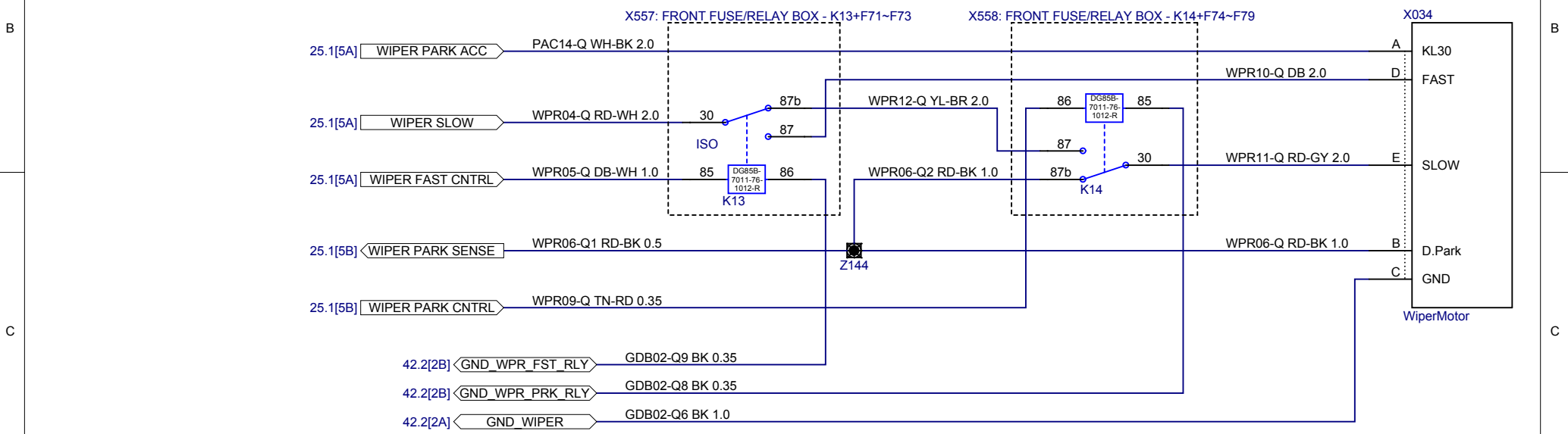
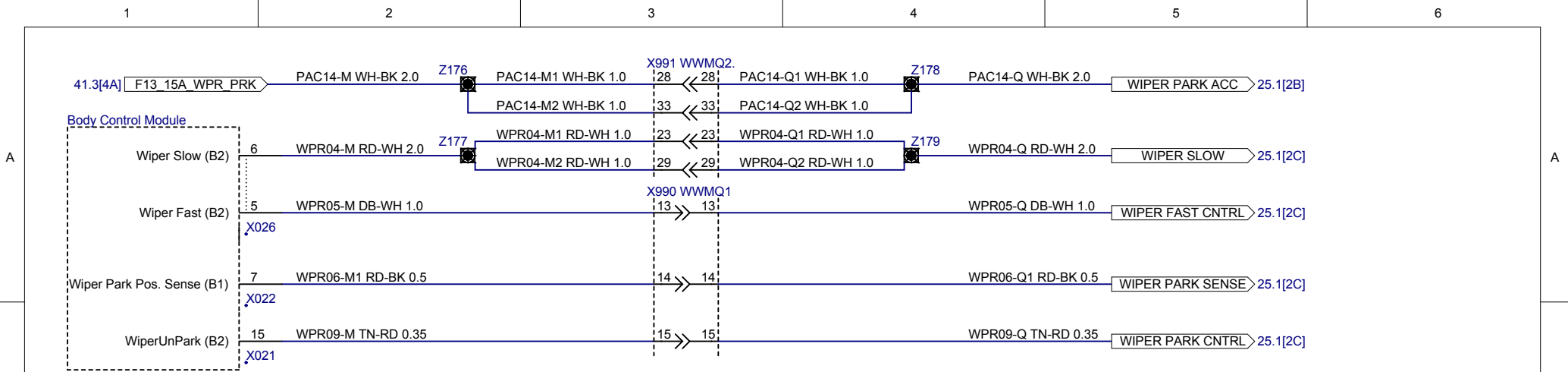
PROJECT NAME: Model S Wiring Diagram: LHD PHASE: SOP(2012)

SHEET NAME: High Voltage Interlock Connections 2 of 2 (Rear)

ITEM NO. 1004573-00-D REVISION: 09 (final) DATE: 5/13/2014

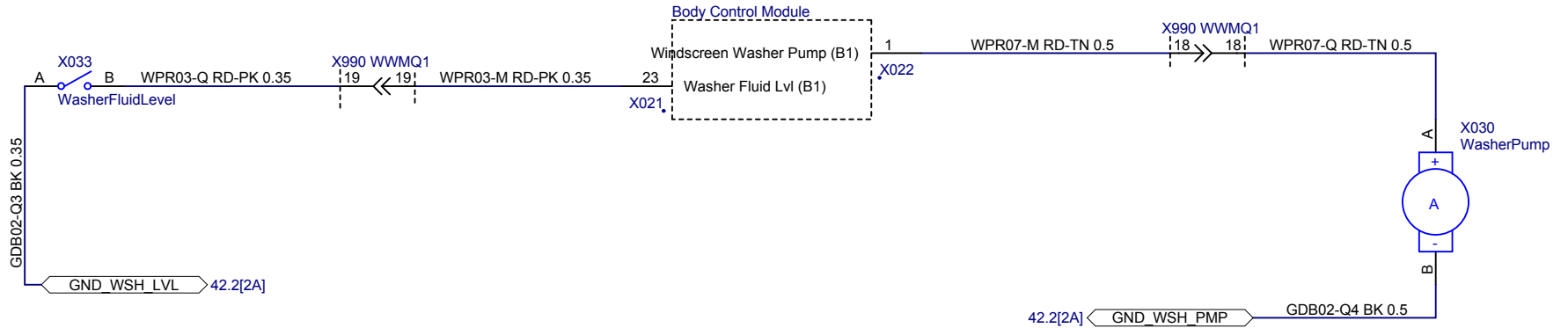
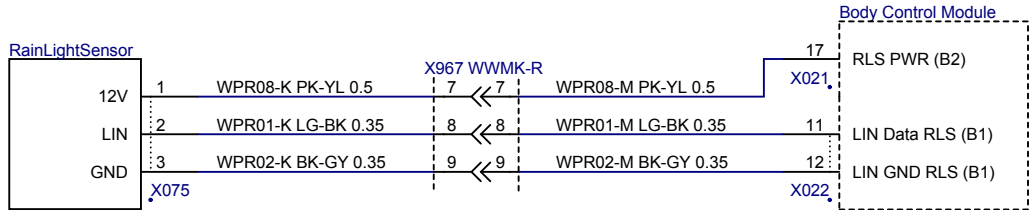
DO NOT SCALE **SHEET 24.2**

THE INFORMATION CONTAINED HEREIN IS DEEMED TO BE CONFIDENTIAL, PROPRIETARY, AND A TRADE SECRET OF TESLA MOTORS. THIS INFORMATION MAY NOT BE USED, REPRODUCED, OR DISCLOSED AS THE DIRECT OR INDIRECT BASIS FOR THE DEVELOPMENT, MANUFACTURE, OR SALE OF PROCESSES OR PRODUCTS WITHOUT THE EXPRESSED WRITTEN CONSENT OF TESLA MOTORS.



PROJECT NAME: Model S Wiring Diagram: LHD		PHASE: SOP(2012)
SHEET NAME: Windscreen Wiper, Rain Sensor		
ITEM NO. 1004573-00-D	REVISION: 09 (final)	DATE: 5/13/2014
DO NOT SCALE		SHEET 25.1

THE INFORMATION CONTAINED HEREIN IS DEEMED TO BE CONFIDENTIAL, PROPRIETARY, AND A TRADE SECRET OF TESLA MOTORS. THIS INFORMATION MAY NOT BE USED, REPRODUCED, OR DISCLOSED AS THE DIRECT OR INDIRECT BASIS FOR THE DEVELOPMENT, MANUFACTURE, OR SALE OF PROCESSES OR PRODUCTS WITHOUT THE EXPRESSED WRITTEN CONSENT OF TESLA MOTORS.



TESLA

PROJECT NAME: Model S Wiring Diagram: LHD PHASE: SOP(2012)

SHEET NAME: Rain Sensor / Windscreen Washer

ITEM NO. 1004573-00-D REVISION: 09 (final) DATE: 5/13/2014

DO NOT SCALE

SHEET 25.2

THE INFORMATION CONTAINED HEREIN IS DEEMED TO BE CONFIDENTIAL, PROPRIETARY, AND A TRADE SECRET OF TESLA MOTORS. THIS INFORMATION MAY NOT BE USED, REPRODUCED, OR DISCLOSED AS THE DIRECT OR INDIRECT BASIS FOR THE DEVELOPMENT, MANUFACTURE, OR SALE OF PROCESSES OR PRODUCTS WITHOUT THE EXPRESSED WRITTEN CONSENT OF TESLA MOTORS.

A

B

C

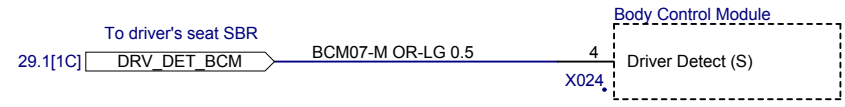
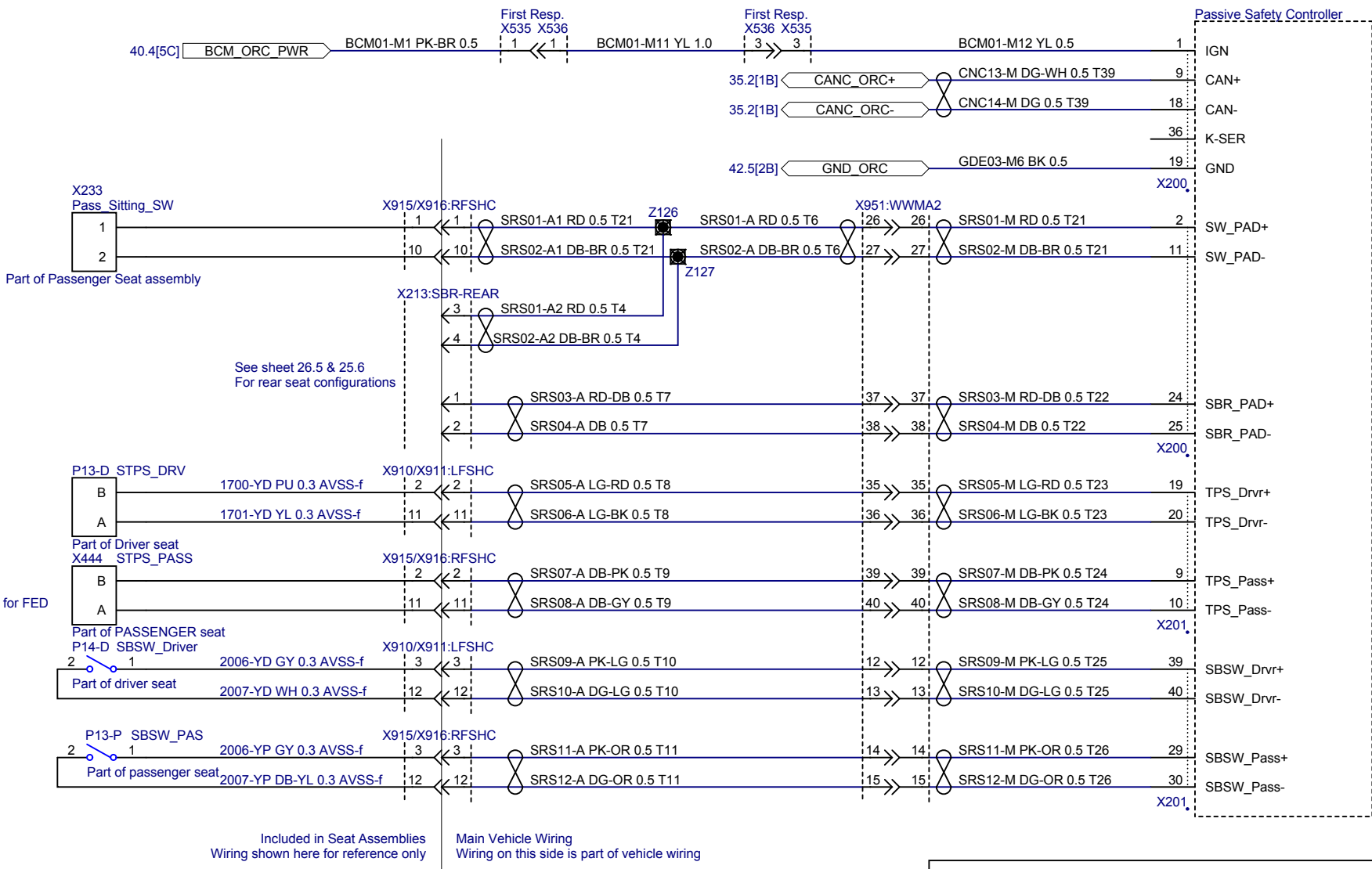
D

A

B

C

D



THE INFORMATION CONTAINED HEREIN IS DEEMED TO BE CONFIDENTIAL, PROPRIETARY, AND A TRADE SECRET OF TESLA MOTORS. THIS INFORMATION MAY NOT BE USED, REPRODUCED, OR DISCLOSED AS THE DIRECT OR INDIRECT BASIS FOR THE DEVELOPMENT, MANUFACTURE, OR SALE OF PROCESSES OR PRODUCTS WITHOUT THE EXPRESSED WRITTEN CONSENT OF TESLA MOTORS.

TESLA

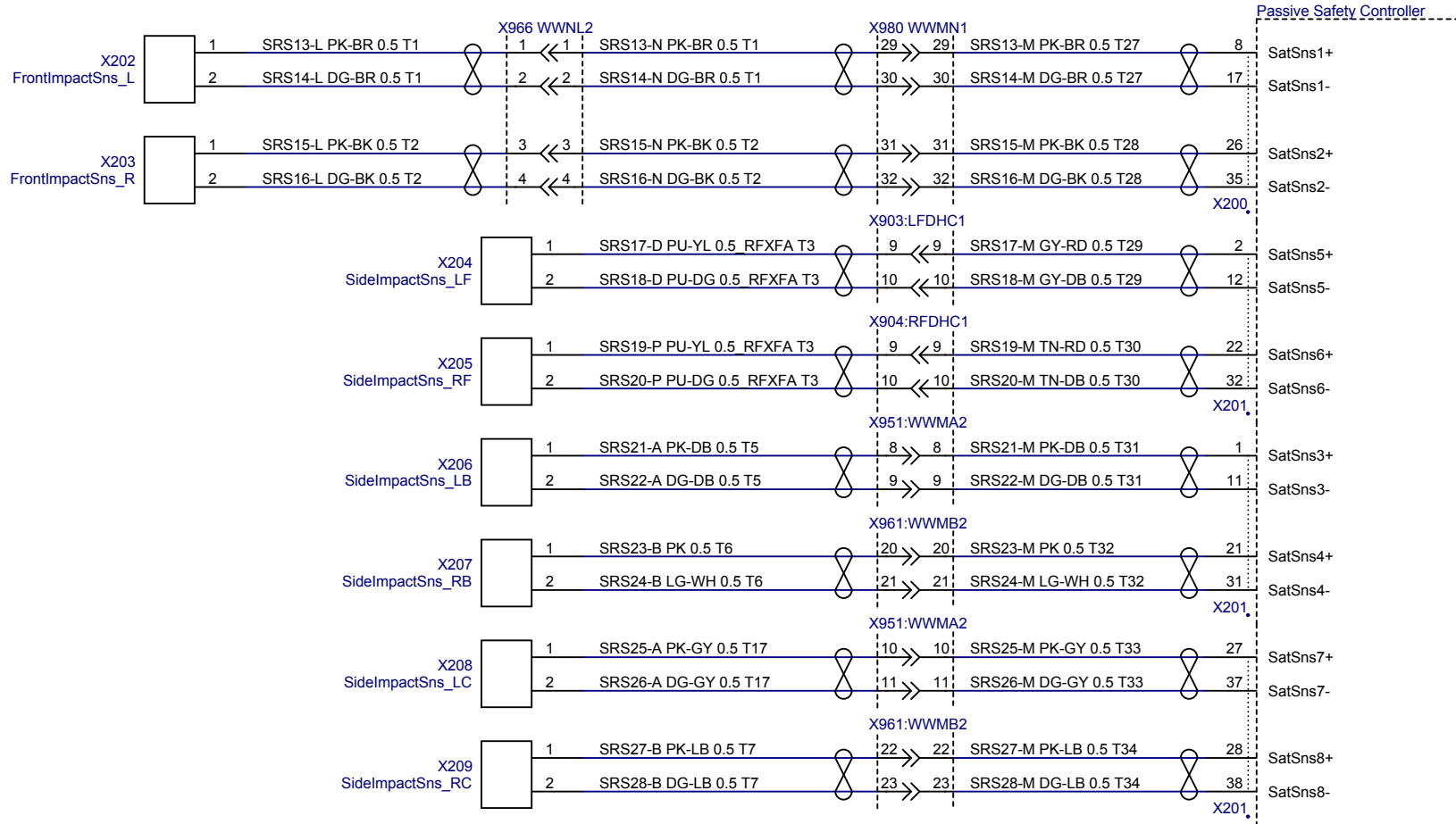
PROJECT NAME: Model S Wiring Diagram: LHD		PHASE: SOP(2012)
SHEET NAME: Safety - Passive Safety Restraints Control 1/6		
ITEM NO. 1004573-00-D	REVISION: 09 (final)	DATE: 5/13/2014
DO NOT SCALE		SHEET 26.1

A

B

C

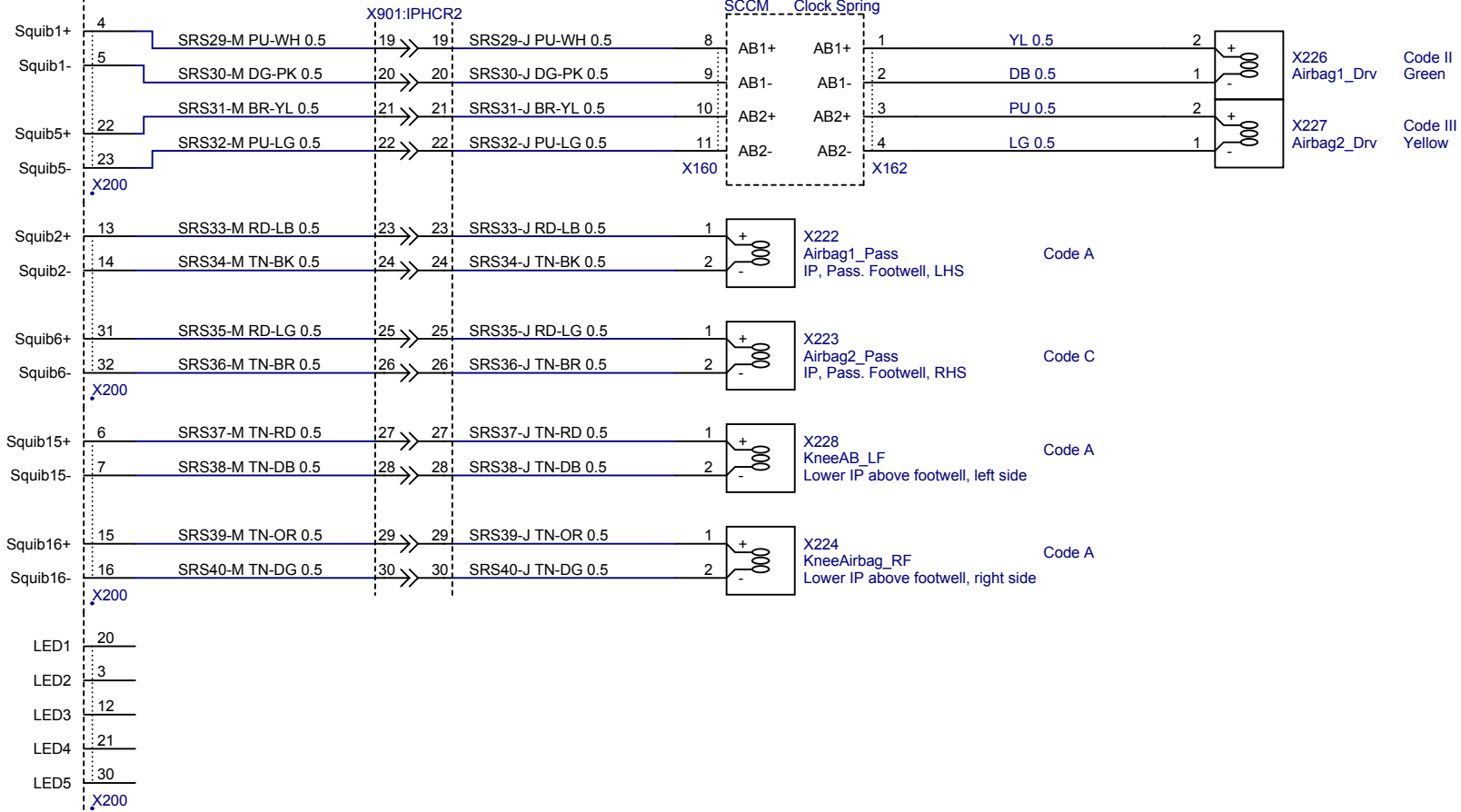
D



PROJECT NAME: Model S Wiring Diagram: LHD		PHASE: SOP(2012)
SHEET NAME: Safety - Passive Safety Restraints Control 2/6		
ITEM NO. 1004573-00-D	REVISION: 09 (final)	DATE: 5/13/2014
DO NOT SCALE		SHEET 26.2

THE INFORMATION CONTAINED HEREIN IS DEEMED TO BE CONFIDENTIAL, PROPRIETARY, AND A TRADE SECRET OF TESLA MOTORS. THIS INFORMATION MAY NOT BE USED, REPRODUCED, OR DISCLOSED AS THE DIRECT OR INDIRECT BASIS FOR THE DEVELOPMENT, MANUFACTURE, OR SALE OF PROCESSES OR PRODUCTS WITHOUT THE EXPRESSED WRITTEN CONSENT OF TESLA MOTORS.

Passive Safety Controller



Circuits SRS29-SRS58 gold plate @ inline connectors

THE INFORMATION CONTAINED HEREIN IS DEEMED TO BE CONFIDENTIAL, PROPRIETARY, AND A TRADE SECRET OF TESLA MOTORS. THIS INFORMATION MAY NOT BE USED, REPRODUCED, OR DISCLOSED AS THE DIRECT OR INDIRECT BASIS FOR THE DEVELOPMENT, MANUFACTURE, OR SALE OF PROCESSES OR PRODUCTS WITHOUT THE EXPRESSED WRITTEN CONSENT OF TESLA MOTORS.



PROJECT NAME: Model S Wiring Diagram: LHD PHASE: SOP(2012)

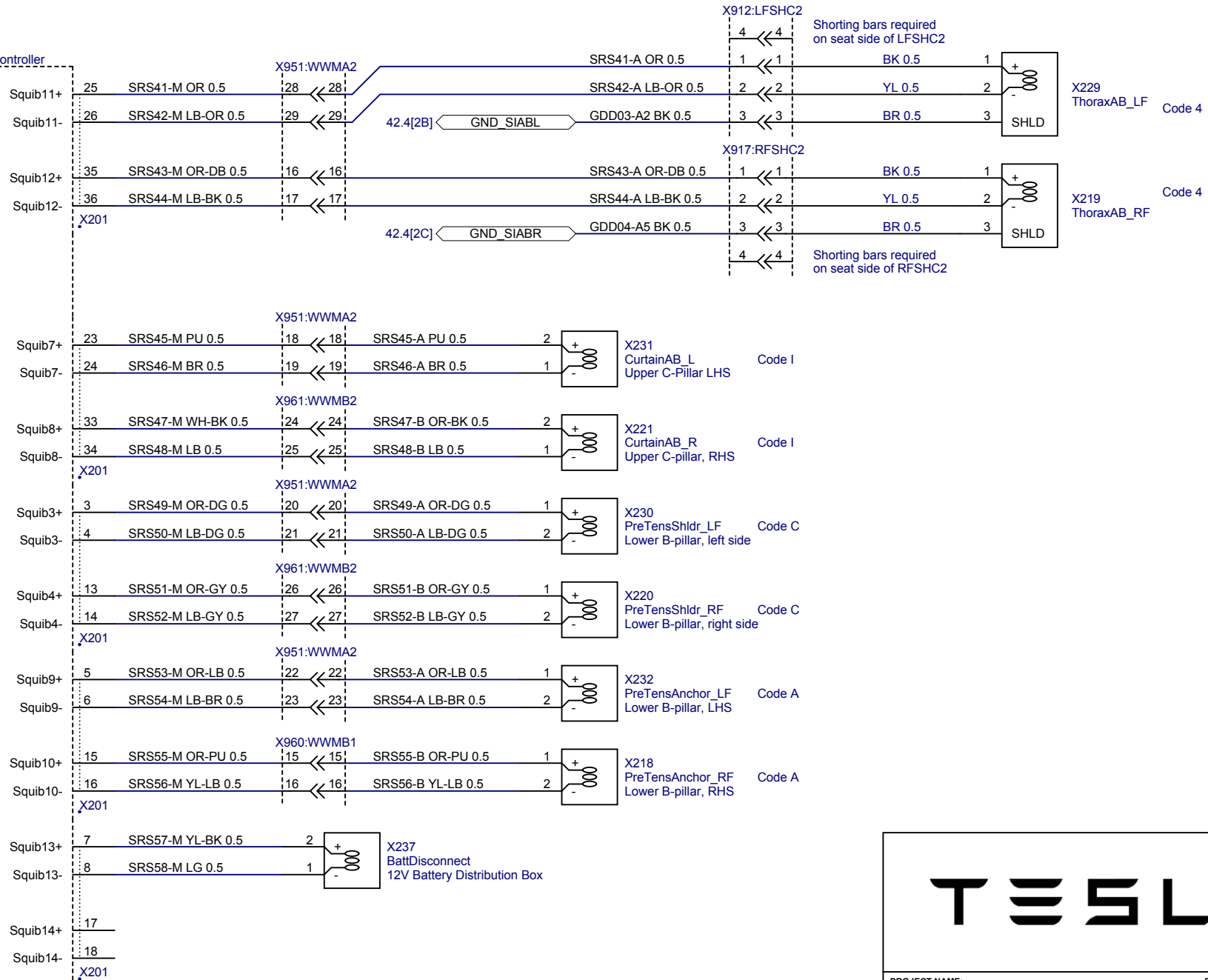
SHEET NAME: Safety - Passive Safety Restraints Control 3/6

ITEM NO. 1004573-00-D REVISION: 09 (final) DATE: 5/13/2014

DO NOT SCALE


SHEET 26.3

Passive Safety Controller



Circuits SRS29-SRS58 gold plate @ inline connectors

THE INFORMATION CONTAINED HEREIN IS DEEMED TO BE CONFIDENTIAL, PROPRIETARY, AND A TRADE SECRET OF TESLA MOTORS. THIS INFORMATION MAY NOT BE USED, REPRODUCED, OR DISCLOSED AS THE DIRECT OR INDIRECT BASIS FOR THE DEVELOPMENT, MANUFACTURE, OR SALE OF PROCESSES OR PRODUCTS WITHOUT THE EXPRESSED WRITTEN CONSENT OF TESLA MOTORS.



PROJECT NAME: Model S Wiring Diagram: LHD		PHASE: SOP(2012)	
SHEET NAME: Safety - Passive Safety Restraints Control 4/6			
ITEM NO. 1004573-00-D	REVISION: 09 (final)	DATE: 5/13/2014	
DO NOT SCALE		SHEET 26.4	

Federal Rear Seat

A

A

No North America specific content

Included in Seat Assemblies
Wiring shown here for reference only

Main Vehicle Wiring
Wiring on this side is part of vehicle wiring

B

B

C

C

D

D



PROJECT NAME: Model S Wiring Diagram: LHD PHASE: SOP(2012)

SHEET NAME: Safety - Passive Safety Restraints Control 5/6

ITEM NO. 1004573-00-D REVISION: 09 (final) DATE: 5/13/2014

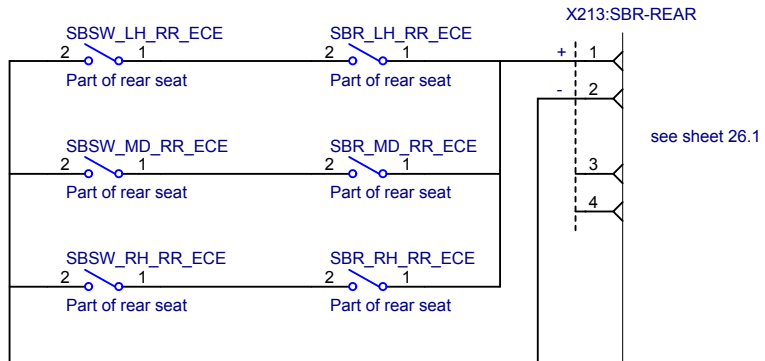
DO NOT SCALE

SHEET 26.5

THE INFORMATION CONTAINED HEREIN IS DEEMED TO BE CONFIDENTIAL, PROPRIETARY, AND A TRADE SECRET OF TESLA MOTORS. THIS INFORMATION MAY NOT BE USED, REPRODUCED, OR DISCLOSED AS THE DIRECT OR INDIRECT BASIS FOR THE DEVELOPMENT, MANUFACTURE, OR SALE OF PROCESSES OR PRODUCTS WITHOUT THE EXPRESSED WRITTEN CONSENT OF TESLA MOTORS.

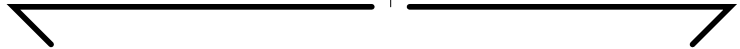
ECE Rear Seat

SBSW = 0 ohm when unbuckled, open when buckled
SBR = 10k when occupied, open when not occupied



Included in Seat Assemblies
Wiring shown here for reference only

Main Vehicle Wiring
Wiring on this side is part of vehicle wiring



PROJECT NAME: Model S Wiring Diagram: LHD PHASE: SOP(2012)

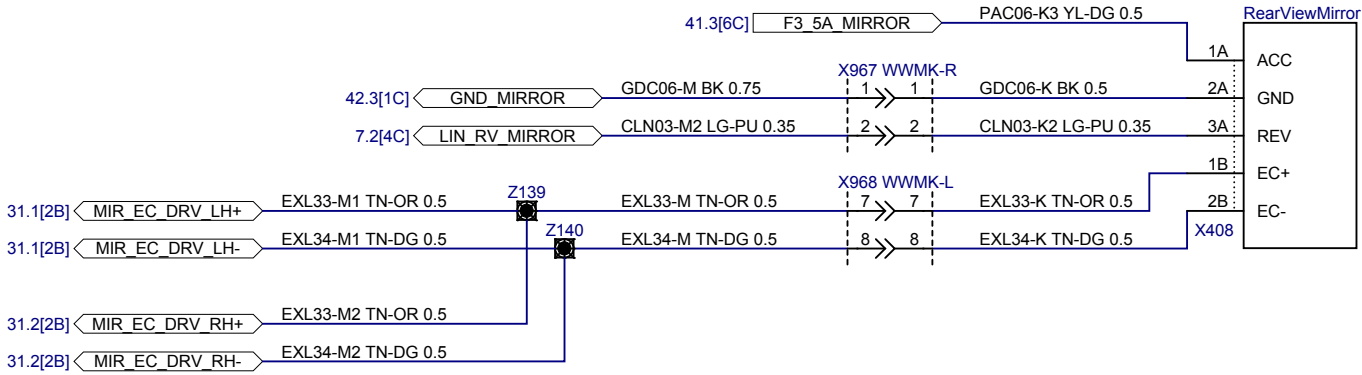
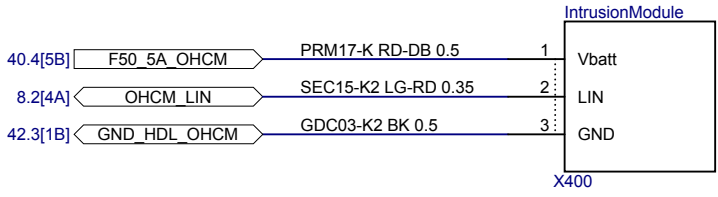
SHEET NAME: Safety - Passive Safety Restraints Control 6/6

ITEM NO. 1004573-00-D REVISION: 09 (final) DATE: 5/13/2014

DO NOT SCALE

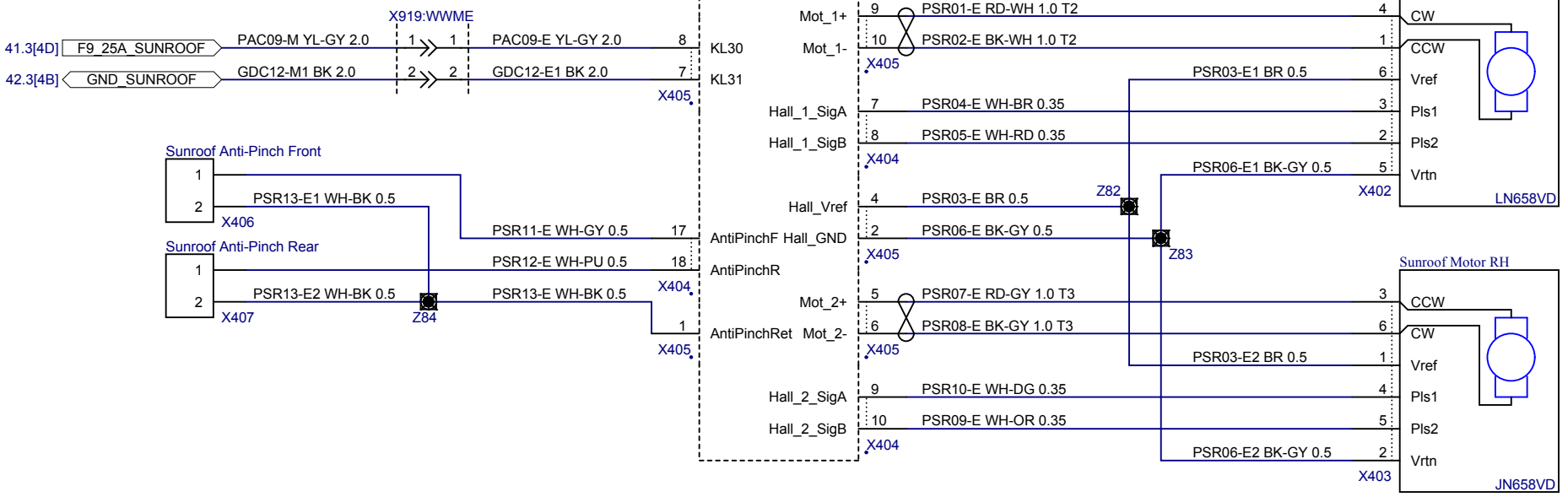
SHEET 26.6

THE INFORMATION CONTAINED HEREIN IS DEEMED TO BE CONFIDENTIAL, PROPRIETARY, AND A TRADE SECRET OF TESLA MOTORS. THIS INFORMATION MAY NOT BE USED, REPRODUCED, OR DISCLOSED AS THE DIRECT OR INDIRECT BASIS FOR THE DEVELOPMENT, MANUFACTURE, OR SALE OF PROCESSES OR PRODUCTS WITHOUT THE EXPRESSED WRITTEN CONSENT OF TESLA MOTORS.



PROJECT NAME: Model S Wiring Diagram: LHD		PHASE: SOP(2012)
SHEET NAME: Overhead Control Module		
ITEM NO. 1004573-00-D	REVISION: 09 (final)	DATE: 5/13/2014
DO NOT SCALE		SHEET 27.1

THE INFORMATION CONTAINED HEREIN IS DEEMED TO BE CONFIDENTIAL, PROPRIETARY, AND A TRADE SECRET OF TESLA MOTORS. THIS INFORMATION MAY NOT BE USED, REPRODUCED, OR DISCLOSED AS THE DIRECT OR INDIRECT BASIS FOR THE DEVELOPMENT, MANUFACTURE, OR SALE OF PROCESSES OR PRODUCTS WITHOUT THE EXPRESSED WRITTEN CONSENT OF TESLA MOTORS.

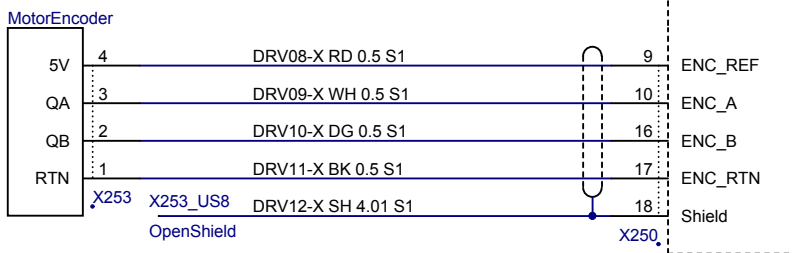
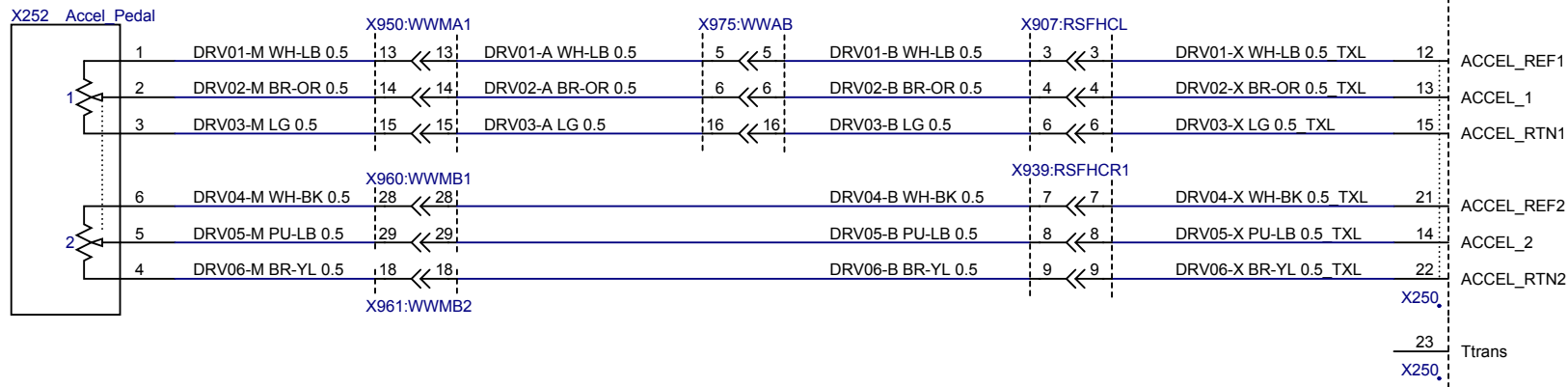
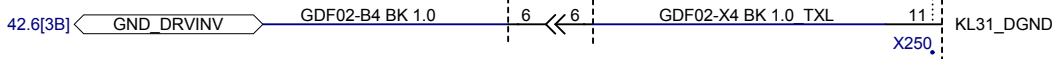
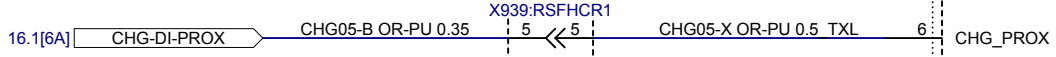
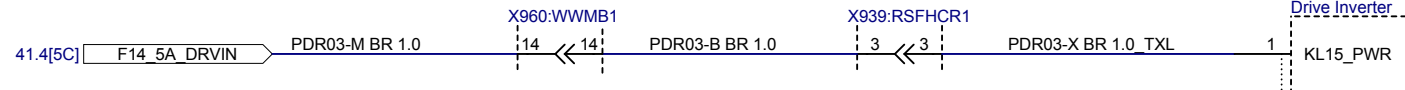


PROJECT NAME: Model S Wiring Diagram: LHD		PHASE: SOP(2012)	
SHEET NAME: Panoramic Sunroof			
ITEM NO. 1004573-00-D	REVISION: 09 (final)	DATE: 5/13/2014	
DO NOT SCALE		SHEET 27.2	

THE INFORMATION CONTAINED HEREIN IS DEEMED TO BE CONFIDENTIAL, PROPRIETARY, AND A TRADE SECRET OF TESLA MOTORS. THIS INFORMATION MAY NOT BE USED, REPRODUCED, OR DISCLOSED AS THE DIRECT OR INDIRECT BASIS FOR THE DEVELOPMENT, MANUFACTURE, OR SALE OF PROCESSES OR PRODUCTS WITHOUT THE EXPRESSED WRITTEN CONSENT OF TESLA MOTORS.

A

Brake switch signals on separate page



X250, X253 SEALED shield terminations

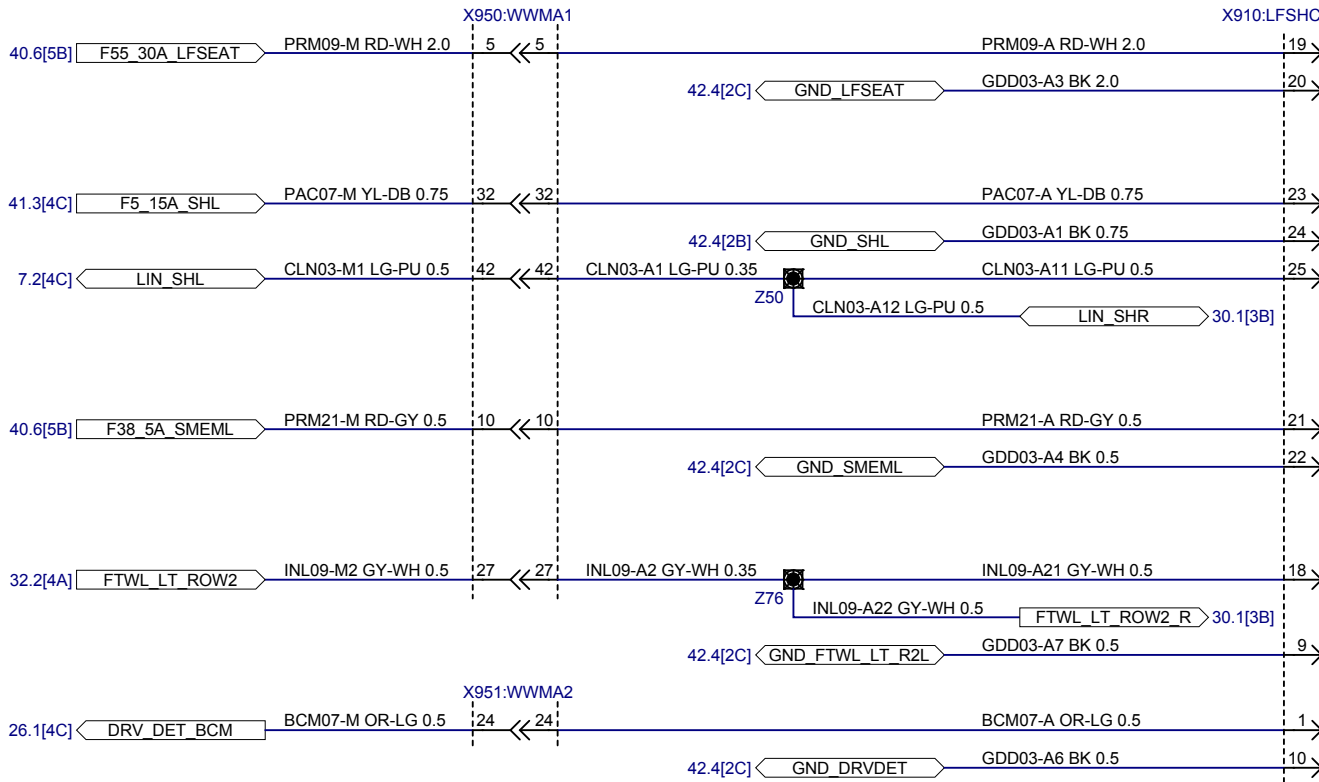


PROJECT NAME: Model S Wiring Diagram: LHD		PHASE: SOP(2012)
SHEET NAME: Drive Inverter		
ITEM NO. 1004573-00-D	REVISION: 09 (final)	DATE: 5/13/2014
DO NOT SCALE		SHEET 28.1

THE INFORMATION CONTAINED HEREIN IS DEEMED TO BE CONFIDENTIAL, PROPRIETARY, AND A TRADE SECRET OF TESLA MOTORS. THIS INFORMATION MAY NOT BE USED, REPRODUCED, OR DISCLOSED AS THE DIRECT OR INDIRECT BASIS FOR THE DEVELOPMENT, MANUFACTURE, OR SALE OF PROCESSES OR PRODUCTS WITHOUT THE EXPRESSED WRITTEN CONSENT OF TESLA MOTORS.

D

Main Vehicle Wiring
Wiring on this side is part of vehicle wiring



See following pages for driver's seat wiring that is not related to specific systems already indicated in other sections of the wiring diagram



PROJECT NAME: Model S Wiring Diagram: LHD PHASE: SOP(2012)

SHEET NAME: Left Front Seat Vehicle Interface

ITEM NO. 1004573-00-D REVISION: 09 (final) DATE: 5/13/2014

DO NOT SCALE

SHEET 29.1

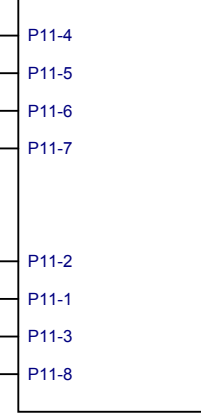
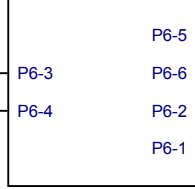
THE INFORMATION CONTAINED HEREIN IS DEEMED TO BE CONFIDENTIAL, PROPRIETARY, AND A TRADE SECRET OF TESLA MOTORS. THIS INFORMATION MAY NOT BE USED, REPRODUCED, OR DISCLOSED AS THE DIRECT OR INDIRECT BASIS FOR THE DEVELOPMENT, MANUFACTURE, OR SALE OF PROCESSES OR PRODUCTS WITHOUT THE EXPRESSED WRITTEN CONSENT OF TESLA MOTORS.

Included in Seat Assembly
Wiring shown here for reference only

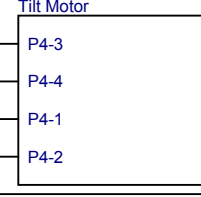
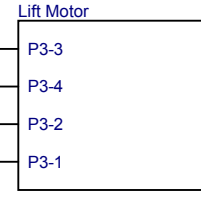
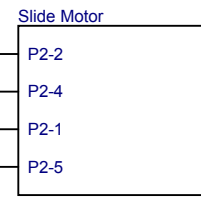
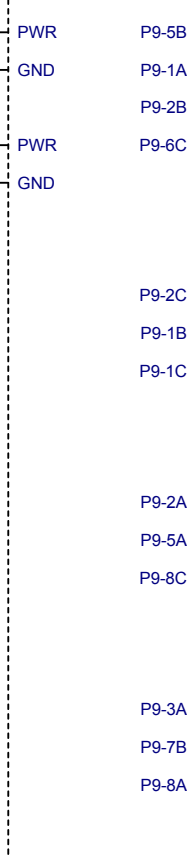
X910F contains pins 1-18, X911F contains pins 19-25
X910F/X911F a.k.a "P1" on seat harness are an assembly of two terminal holders in one housing.

Lumbar Switch

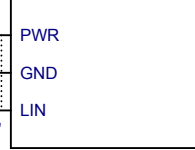
FSB



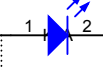
Memory Seat Module



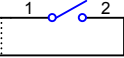
Seat Heater



UnderSeatLight

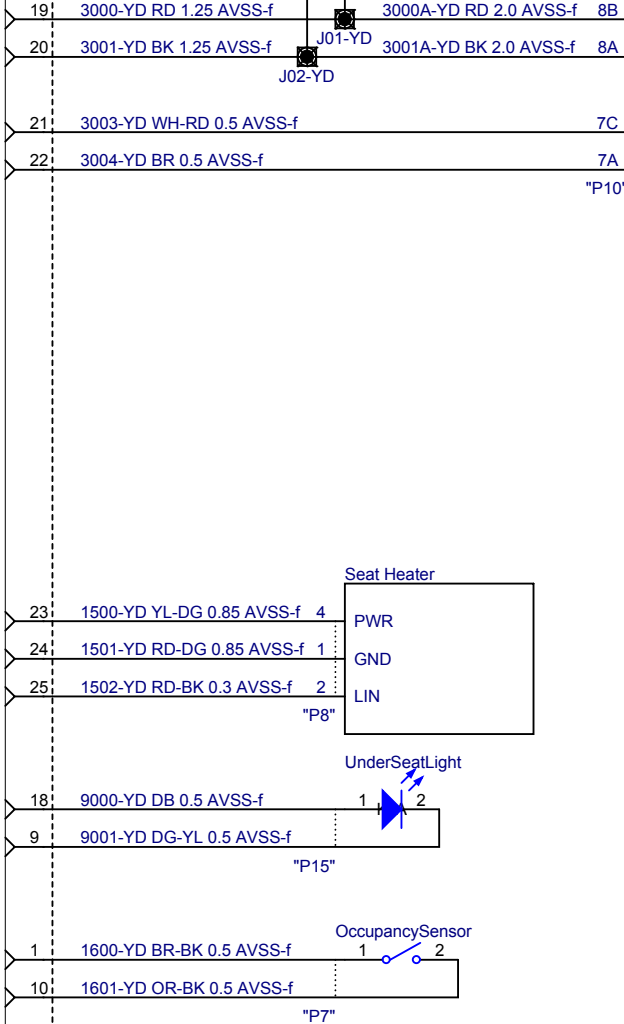


OccupancySensor



For vehicle wiring, see Sheet 29.1

X910F/X911F:LFSHC



PROJECT NAME: Model S Wiring Diagram: LHD PHASE: SOP(2012)

SHEET NAME: Left Front Seat Internal Wiring

ITEM NO. 1004573-00-D REVISION: 09 (final) DATE: 5/13/2014

DO NOT SCALE

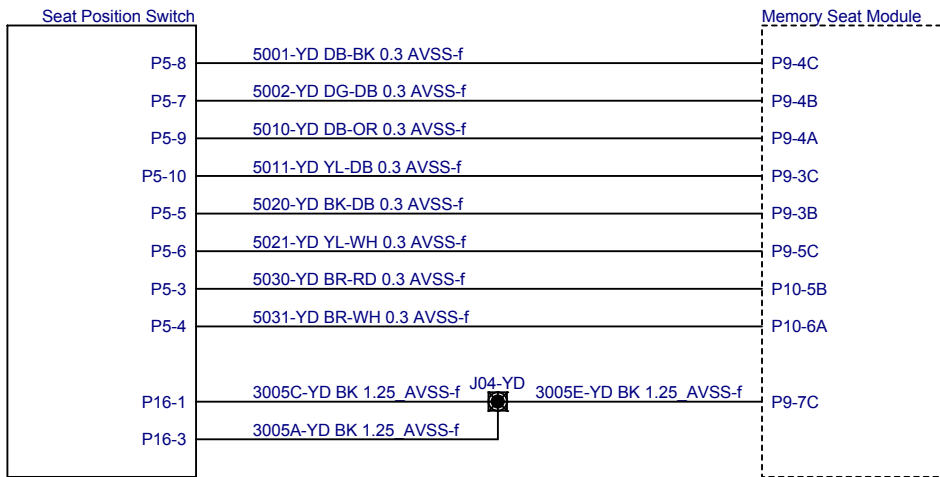
SHEET 29.2

THE INFORMATION CONTAINED HEREIN IS DEEMED TO BE CONFIDENTIAL, PROPRIETARY, AND A TRADE SECRET OF TESLA MOTORS. THIS INFORMATION MAY NOT BE USED, REPRODUCED, OR DISCLOSED AS THE DIRECT OR INDIRECT BASIS FOR THE DEVELOPMENT, MANUFACTURE, OR SALE OF PROCESSES OR PRODUCTS WITHOUT THE EXPRESSED WRITTEN CONSENT OF TESLA MOTORS.

Included in Seat Assembly
Wiring shown here for reference only

X910F contains pins 1-18, X911F contains pins 19-25
X910F/X911F a.k.a "P1" on seat harness are an assembly of two terminal holders in one housing.

For vehicle wiring, see Sheet 29.1



PROJECT NAME: Model S Wiring Diagram: LHD PHASE: SOP(2012)

SHEET NAME: Left Front Seat Internal Wiring

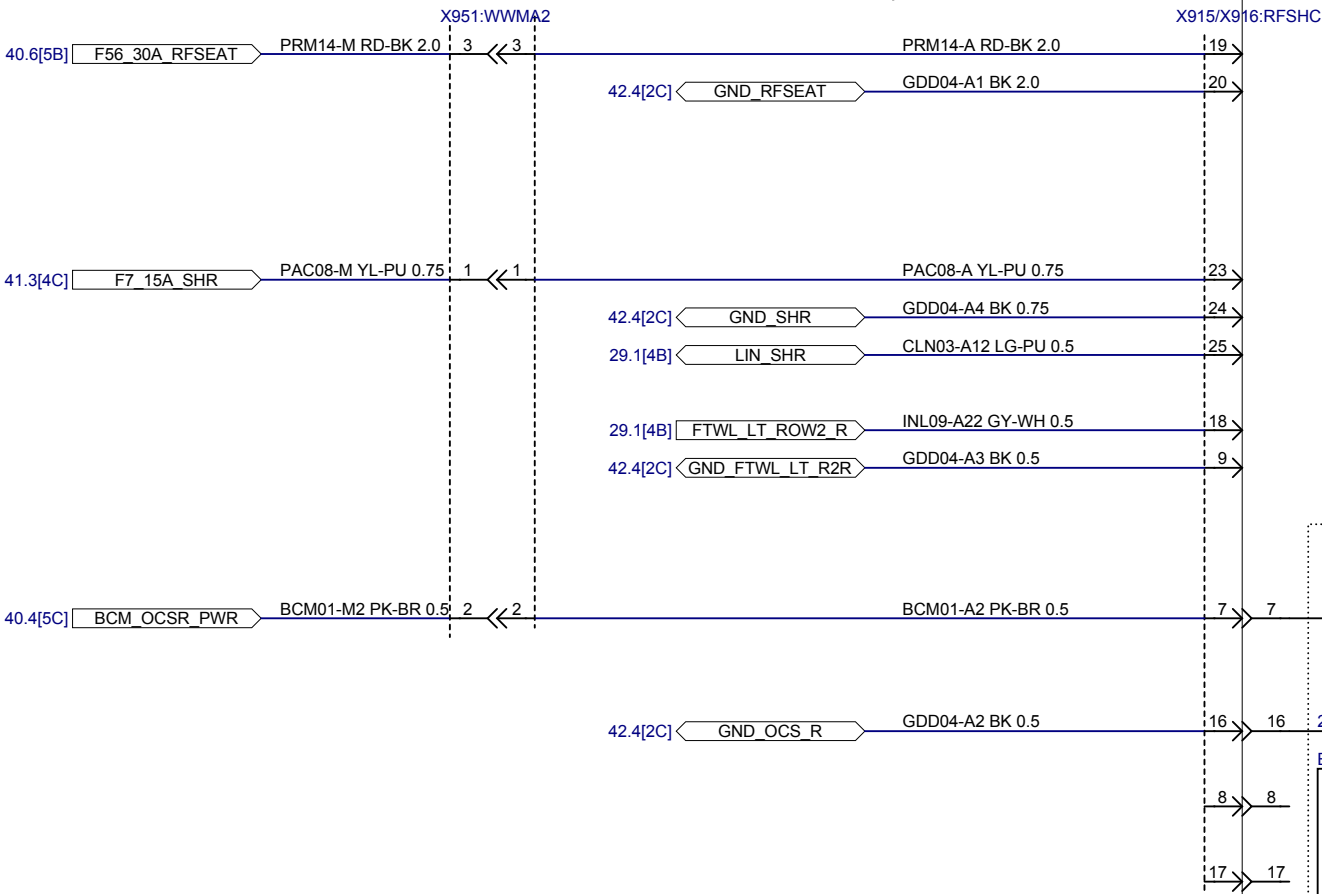
ITEM NO. 1004573-00-D REVISION: 09 (final) DATE: 5/13/2014

DO NOT SCALE

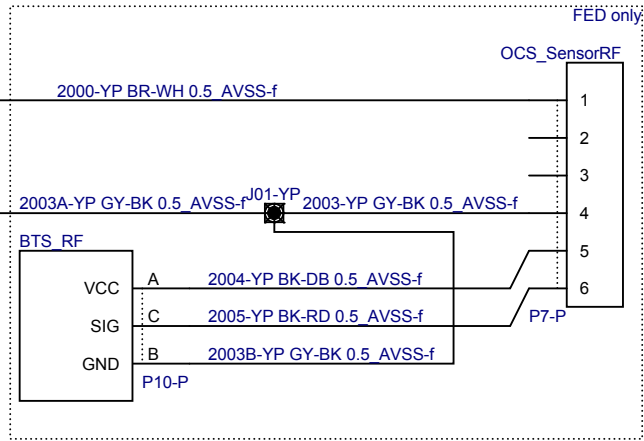
SHEET 29.3

THE INFORMATION CONTAINED HEREIN IS DEEMED TO BE CONFIDENTIAL, PROPRIETARY, AND A TRADE SECRET OF TESLA MOTORS. THIS INFORMATION MAY NOT BE USED, REPRODUCED, OR DISCLOSED ON THE DIRECT OR INDIRECT BASIS FOR THE DEVELOPMENT, MANUFACTURE, OR SALE OF PROCESSES OR PRODUCTS WITHOUT THE EXPRESSED WRITTEN CONSENT OF TESLA MOTORS.

Main Vehicle Wiring
Wiring on this side is part of vehicle wiring



See following pages for passenger's seat wiring that is not related to specific systems already indicated in other sections of the wiring diagram



splice <=100mm from X462



PROJECT NAME: Model S Wiring Diagram: LHD		PHASE: SOP(2012)
SHEET NAME: Right Front Seat Vehicle Interface		
ITEM NO. 1004573-00-D	REVISION: 09 (final)	DATE: 5/13/2014
DO NOT SCALE		SHEET 30.1

THE INFORMATION CONTAINED HEREIN IS DEEMED TO BE CONFIDENTIAL, PROPRIETARY, AND A TRADE SECRET OF TESLA MOTORS. THIS INFORMATION MAY NOT BE USED, REPRODUCED, OR DISCLOSED AS THE DIRECT OR INDIRECT BASIS FOR THE DEVELOPMENT, MANUFACTURE, OR SALE OF PROCESSES OR PRODUCTS WITHOUT THE EXPRESSED WRITTEN CONSENT OF TESLA MOTORS.

Included in Seat Assembly
Wiring shown here for reference only

X915F contains pins 1-18, X916F contains pins 19-25
X915F/X916F a.k.a "P1" on seat harness are an assembly of two terminal holders in one housing.

X915/X916:RFSHC

For vehicle wiring, see Sheet 30.1

Lumbar Switch

FSB

Seat Position Switch

Slide Motor

Lift Motor

Tilt Motor

Seat Heater

UnderSeatLight

19 3000-YR RD 2.0 AVSS-f

20 3000-YR RD 2.0 AVSS-f

J02-YP 3000A-YR RD 2.0 AVSS-f

3001A-YR BK 2.0 AVSS-f

J03-YP 3000E-YR RD 2.0 AVSS-f

3001E-YR BK 2.0 AVSS-f

23 1500-YR YL-DG 0.85 AVSS-f 4

24 1501-YR RD-DG 0.85 AVSS-f 1

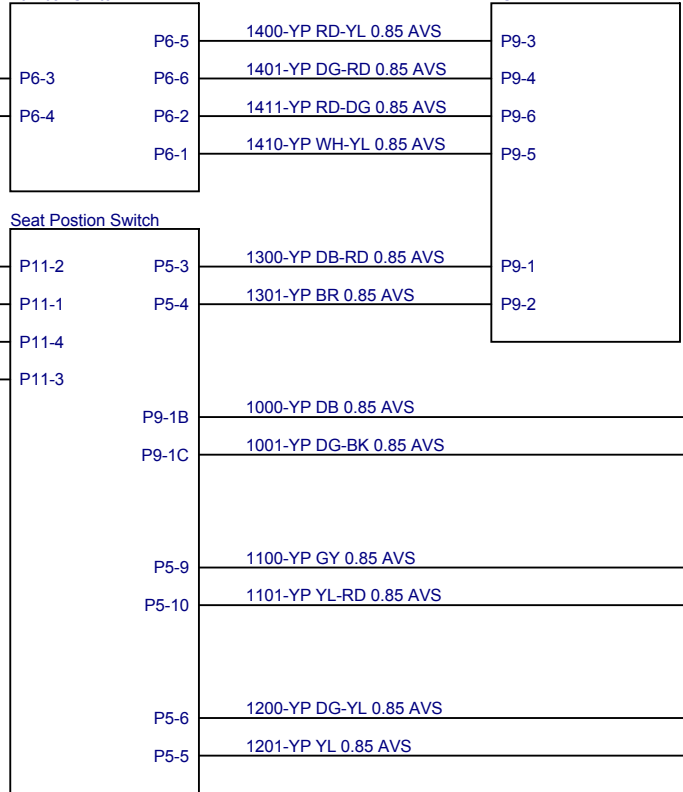
25 1502-YR WH 0.3 AVSS-f 2

"P8"

18 9000-YR DB 0.5 AVSS-f

9 9001-YR DG-YL 0.5 AVSS-f

"P15"



PROJECT NAME: Model S Wiring Diagram: LHD PHASE: SOP(2012)

SHEET NAME: Right Front Seat Internal Wiring - Power Option

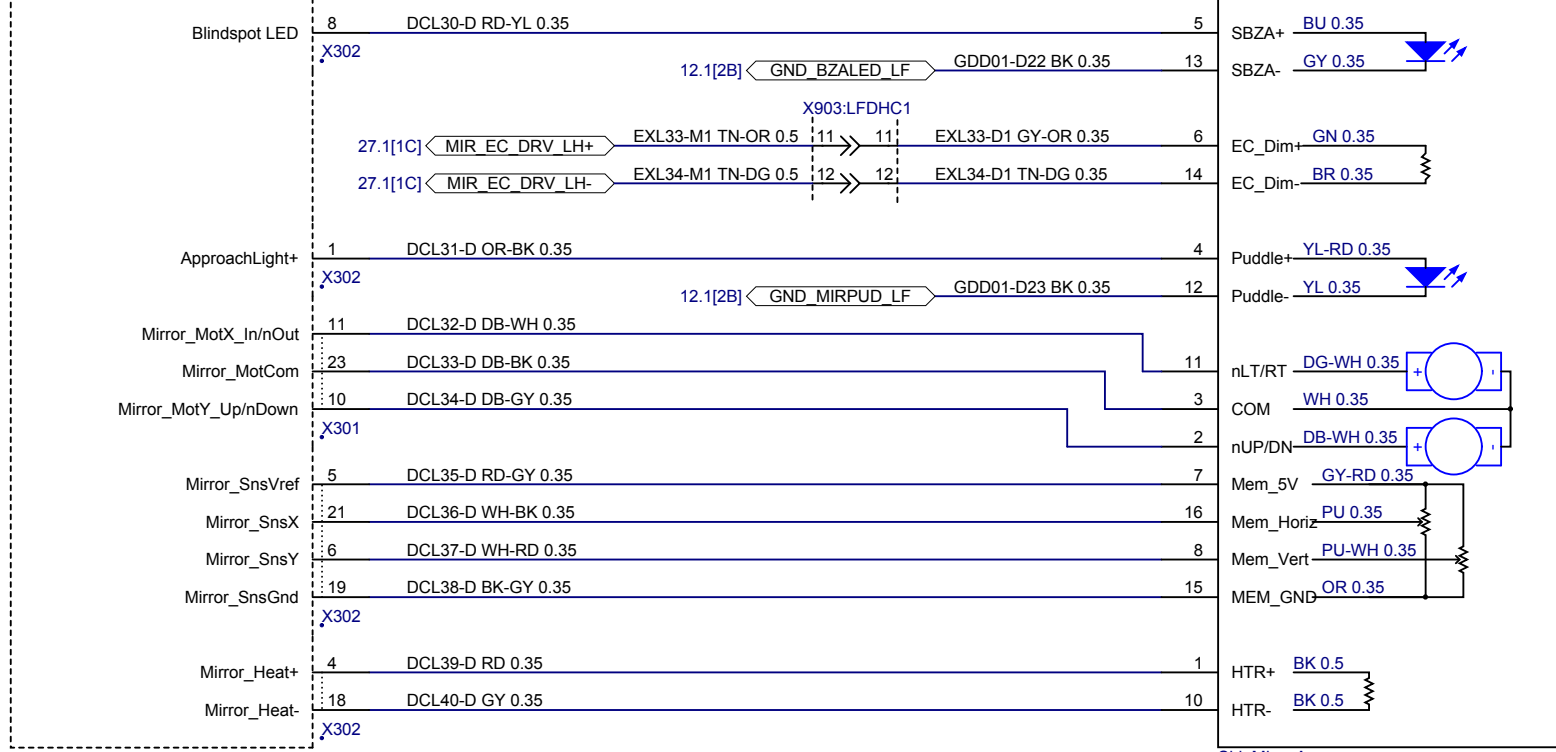
ITEM NO. 1004573-00-D REVISION: 09 (final) DATE: 5/13/2014

DO NOT SCALE

SHEET 30.2

THE INFORMATION CONTAINED HEREIN IS DEEMED TO BE CONFIDENTIAL, PROPRIETARY, AND A TRADE SECRET OF TESLA MOTORS. THIS INFORMATION MAY NOT BE USED, REPRODUCED, OR DISCLOSED AS THE DIRECT OR INDIRECT BASIS FOR THE DEVELOPMENT, MANUFACTURE, OR SALE OF PROCESSES OR PRODUCTS WITHOUT THE EXPRESSED WRITTEN CONSENT OF TESLA MOTORS.

Door Control Module - Left Front



SideMirrorAssy

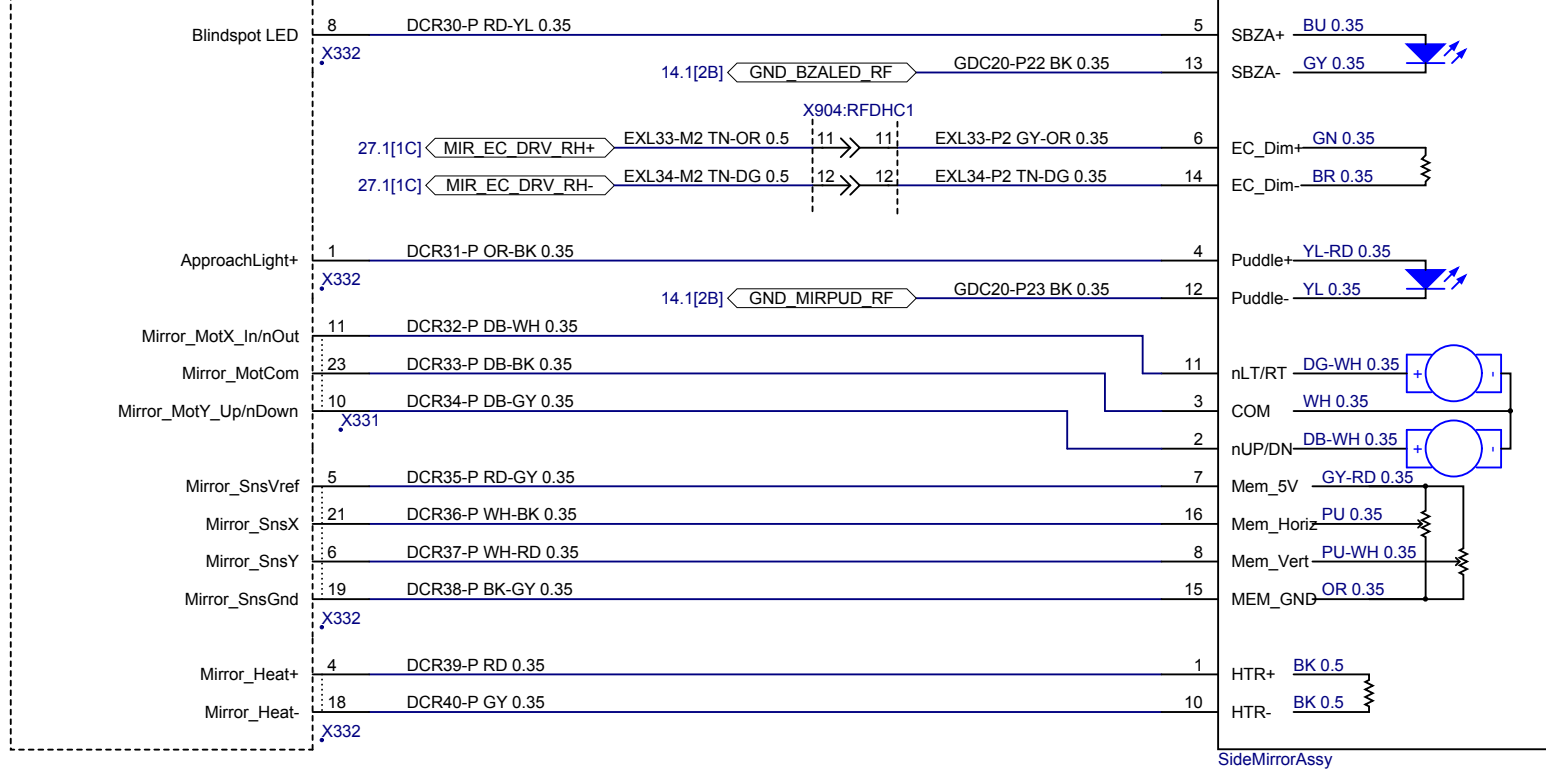
Mirror control commands come to the drive door control module via LIN from the driver-door switchpack module. Mirror controls for the passenger side mirror are then passed over CAN to the passenger door control module.



PROJECT NAME: Model S Wiring Diagram: LHD		PHASE: SOP(2012)
SHEET NAME: Side Mirror Interface - Left		
ITEM NO. 1004573-00-D	REVISION: 09 (final)	DATE: 5/13/2014
DO NOT SCALE		SHEET 31.1

THE INFORMATION CONTAINED HEREIN IS DEEMED TO BE CONFIDENTIAL, PROPRIETARY, AND A TRADE SECRET OF TESLA MOTORS. THIS INFORMATION MAY NOT BE USED, REPRODUCED, OR DISCLOSED AS THE DIRECT OR INDIRECT BASIS FOR THE DEVELOPMENT, MANUFACTURE, OR SALE OF PROCESSES OR PRODUCTS WITHOUT THE EXPRESSED WRITTEN CONSENT OF TESLA MOTORS.

Door Control Module - Right Front



SideMirrorAssy

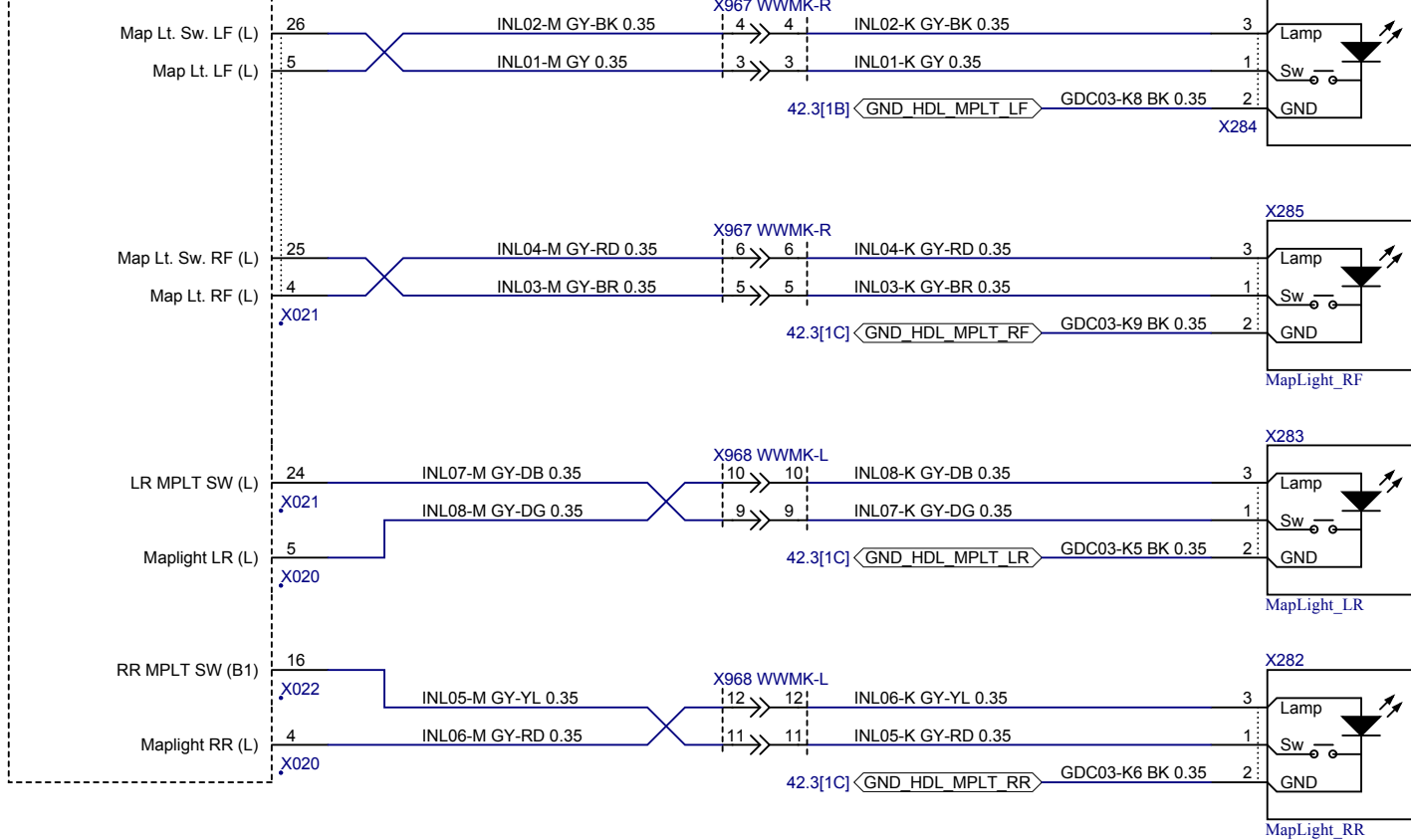
Mirror control commands come to the drive door control module via LIN from the driver-door switchpack module. Mirror controls for the passenger side mirror are then passed over CAN to the passenger door control module.



PROJECT NAME: Model S Wiring Diagram: LHD		PHASE: SOP(2012)
SHEET NAME: Side Mirror Interface - Right		
ITEM NO. 1004573-00-D	REVISION: 09 (final)	DATE: 5/13/2014
DO NOT SCALE		SHEET 31.2

THE INFORMATION CONTAINED HEREIN IS DEEMED TO BE CONFIDENTIAL, PROPRIETARY, AND A TRADE SECRET OF TESLA MOTORS. THIS INFORMATION MAY NOT BE USED, REPRODUCED, OR DISCLOSED AS THE DIRECT OR INDIRECT BASIS FOR THE DEVELOPMENT, MANUFACTURE, OR SALE OF PROCESSES OR PRODUCTS WITHOUT THE EXPRESSED WRITTEN CONSENT OF TESLA MOTORS.

Body Control Module



PROJECT NAME: Model S Wiring Diagram: LHD PHASE: SOP(2012)

SHEET NAME: Interior Lighting - Maplights

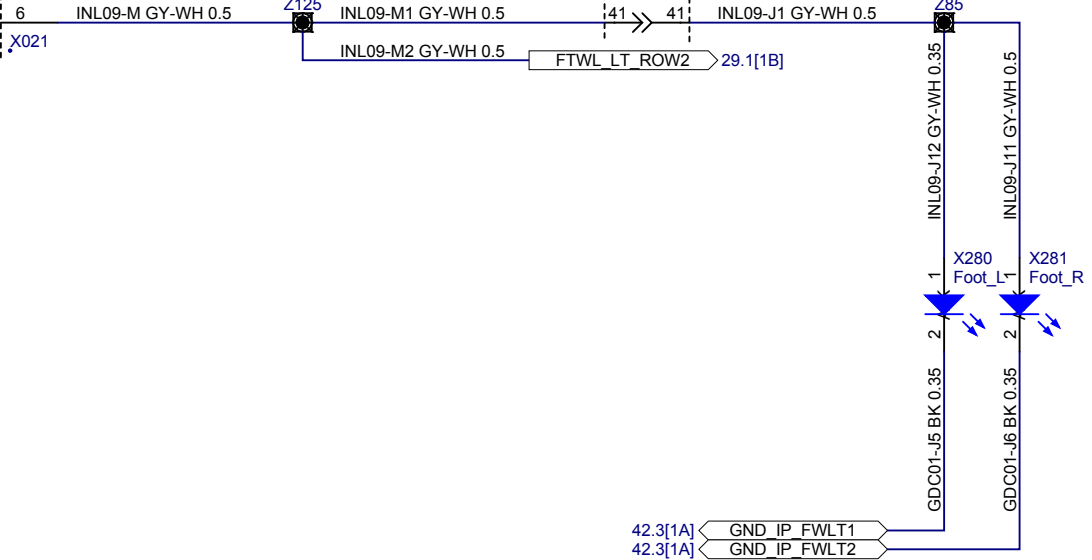
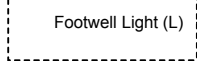
ITEM NO. 1004573-00-D REVISION: 09 (final) DATE: 5/13/2014

DO NOT SCALE

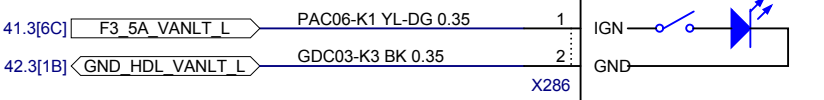
SHEET 32.1

THE INFORMATION CONTAINED HEREIN IS DEEMED TO BE CONFIDENTIAL, PROPRIETARY, AND A TRADE SECRET OF TESLA MOTORS. THIS INFORMATION MAY NOT BE USED, REPRODUCED, OR DISCLOSED AS THE DIRECT OR INDIRECT BASIS FOR THE DEVELOPMENT, MANUFACTURE, OR SALE OF PROCESSES OR PRODUCTS WITHOUT THE EXPRESSED WRITTEN CONSENT OF TESLA MOTORS.

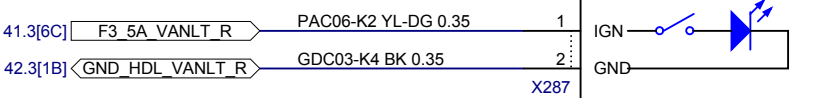
Body Control Module



VanityLight w SW LF

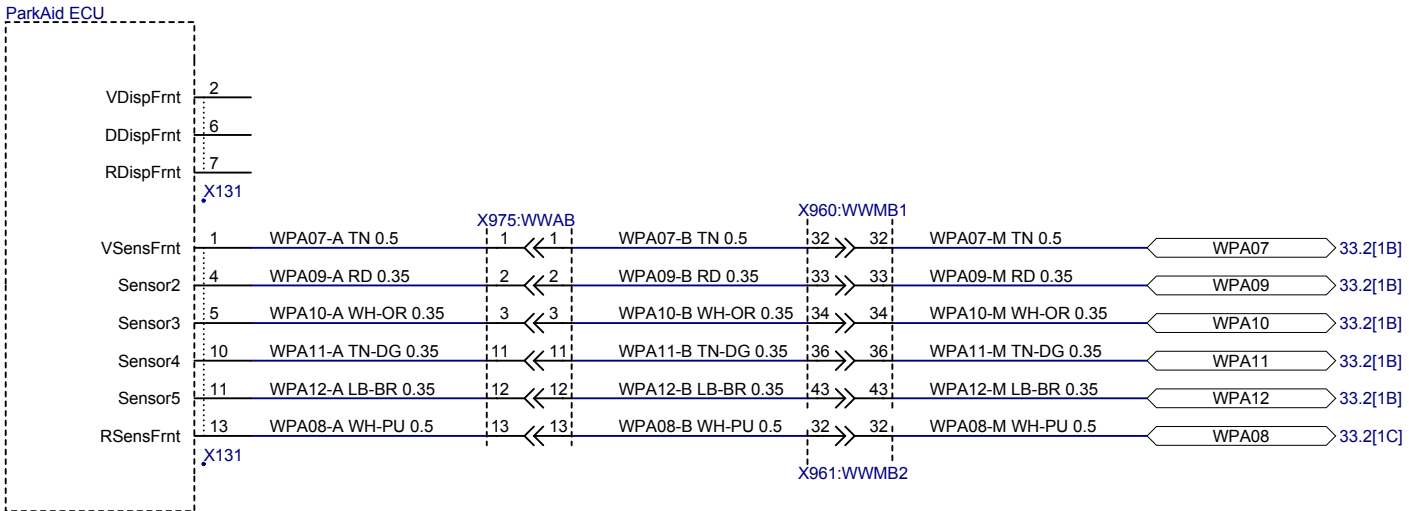
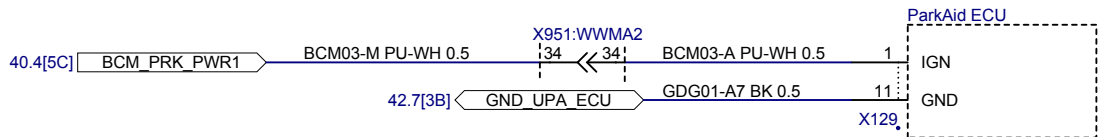


VanityLight w SW RF



PROJECT NAME: Model S Wiring Diagram: LHD		PHASE: SOP(2012)
SHEET NAME: Interior Lighting - Footwell and Vanity Lights		
ITEM NO. 1004573-00-D	REVISION: 09 (final)	DATE: 5/13/2014
DO NOT SCALE		SHEET 32.2

THE INFORMATION CONTAINED HEREIN IS DEEMED TO BE CONFIDENTIAL, PROPRIETARY, AND A TRADE SECRET OF TESLA MOTORS. THIS INFORMATION MAY NOT BE USED, REPRODUCED, OR DISCLOSED AS THE DIRECT OR INDIRECT BASIS FOR THE DEVELOPMENT, MANUFACTURE, OR SALE OF PROCESSES OR PRODUCTS WITHOUT THE EXPRESSED WRITTEN CONSENT OF TESLA MOTORS.



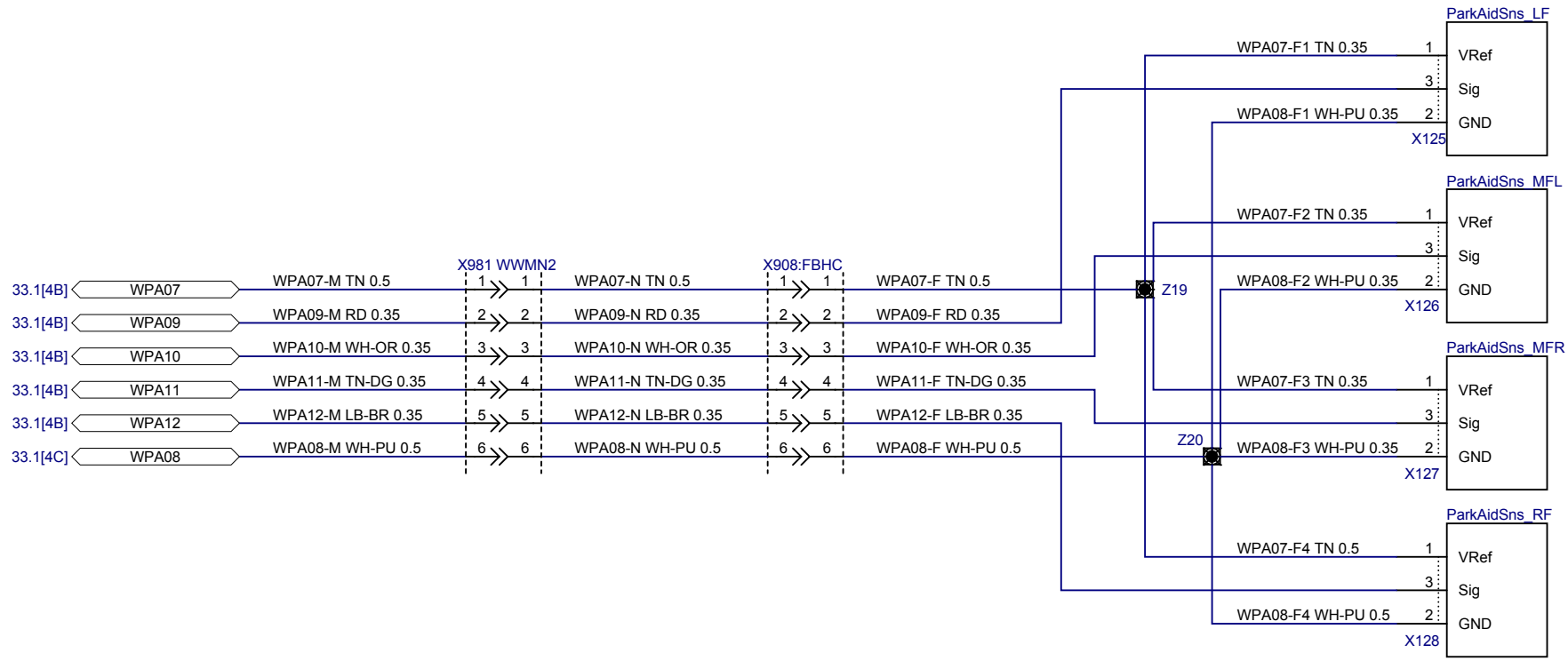
Function not installed on corresponding vehicles

All items this page for Advanced Safety Option Only



PROJECT NAME: Model S Wiring Diagram: LHD		PHASE: SOP(2012)
SHEET NAME: Parking Aids, ECU Interface + Front Sensors		
ITEM NO. 1004573-00-D	REVISION: 09 (final)	DATE: 5/13/2014
DO NOT SCALE		SHEET 33.1

THE INFORMATION CONTAINED HEREIN IS DEEMED TO BE CONFIDENTIAL, PROPRIETARY, AND A TRADE SECRET OF TESLA MOTORS. THIS INFORMATION MAY NOT BE USED, REPRODUCED, OR DISCLOSED AS THE DIRECT OR INDIRECT BASIS FOR THE DEVELOPMENT, MANUFACTURE, OR SALE OF PROCESSES OR PRODUCTS WITHOUT THE EXPRESSED WRITTEN CONSENT OF TESLA MOTORS.



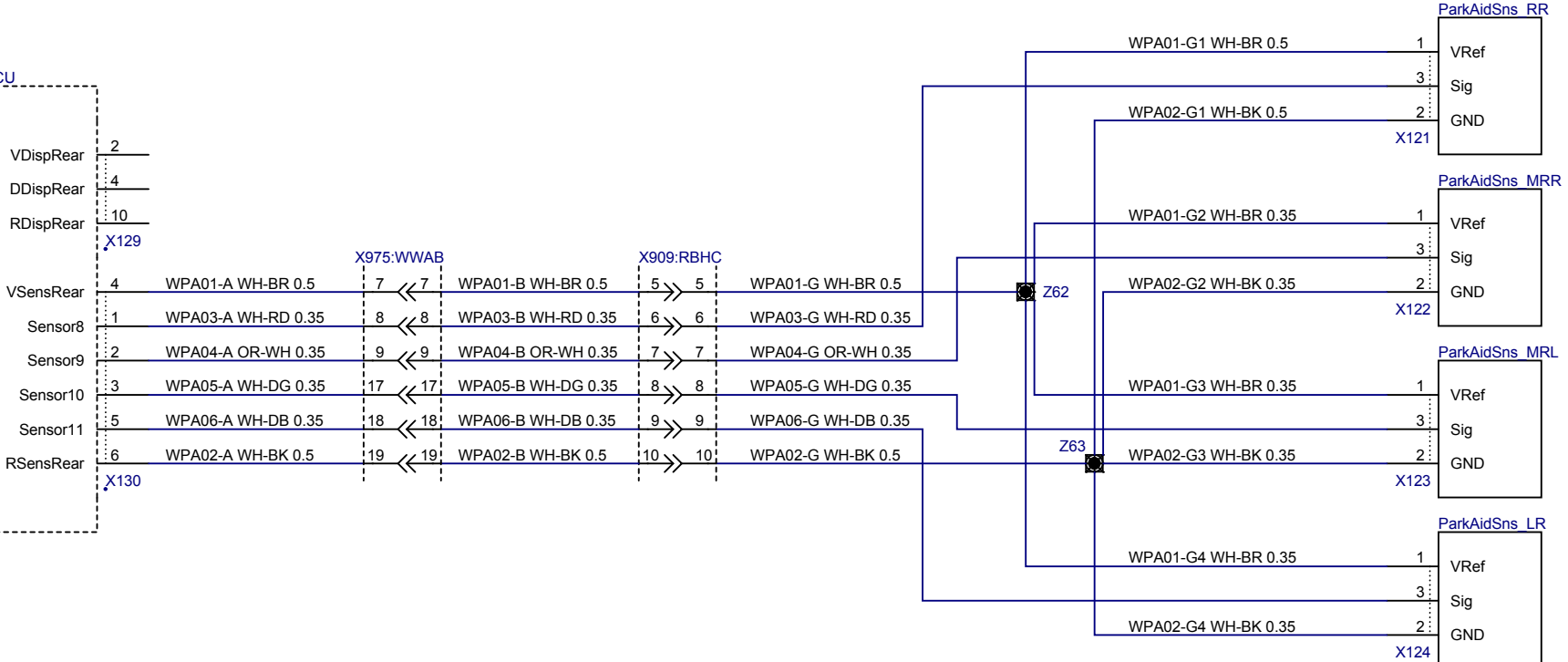
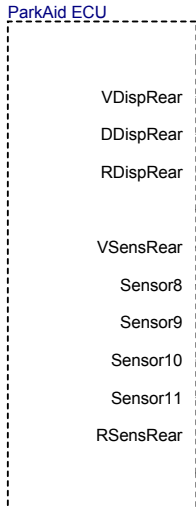
Function not installed on corresponding vehicles

All items this page for Advanced Safety Option Only



PROJECT NAME: Model S Wiring Diagram: LHD		PHASE: SOP(2012)
SHEET NAME: Parking Aids, ECU Interface + Front Sensors		
ITEM NO. 1004573-00-D	REVISION: 09 (final)	DATE: 5/13/2014
DO NOT SCALE		SHEET 33.2

THE INFORMATION CONTAINED HEREIN IS DEEMED TO BE CONFIDENTIAL, PROPRIETARY, AND A TRADE SECRET OF TESLA MOTORS. THIS INFORMATION MAY NOT BE USED, REPRODUCED, OR DISCLOSED AS THE DIRECT OR INDIRECT BASIS FOR THE DEVELOPMENT, MANUFACTURE, OR SALE OF PROCESSES OR PRODUCTS WITHOUT THE EXPRESSED WRITTEN CONSENT OF TESLA MOTORS.



Function not installed on corresponding vehicles

All items this page for Advanced Safety Option Only



PROJECT NAME: Model S Wiring Diagram: LHD		PHASE: SOP(2012)
SHEET NAME: Parking Aid Rear Sensors		
ITEM NO. 1004573-00-D	REVISION: 09 (final)	DATE: 5/13/2014
DO NOT SCALE		SHEET 33.3

THE INFORMATION CONTAINED HEREIN IS DEEMED TO BE CONFIDENTIAL, PROPRIETARY, AND A TRADE SECRET OF TESLA MOTORS. THIS INFORMATION MAY NOT BE USED, REPRODUCED, OR DISCLOSED AS THE DIRECT OR INDIRECT BASIS FOR THE DEVELOPMENT, MANUFACTURE, OR SALE OF PROCESSES OR PRODUCTS WITHOUT THE EXPRESSED WRITTEN CONSENT OF TESLA MOTORS.

A

A

B

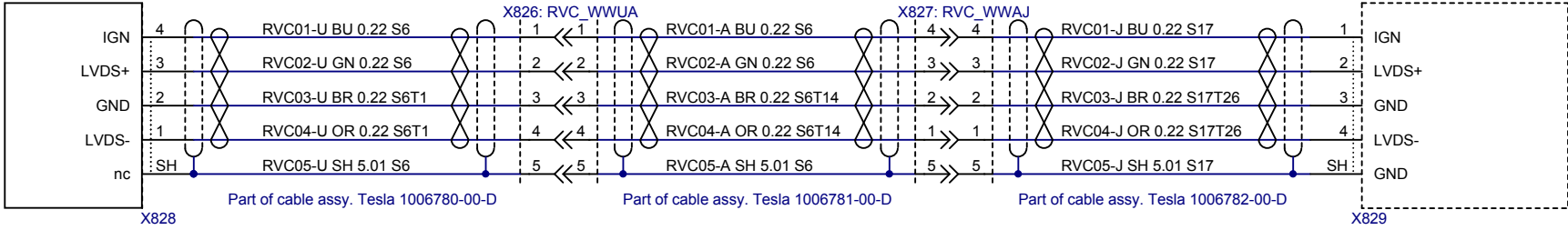
B

C

C

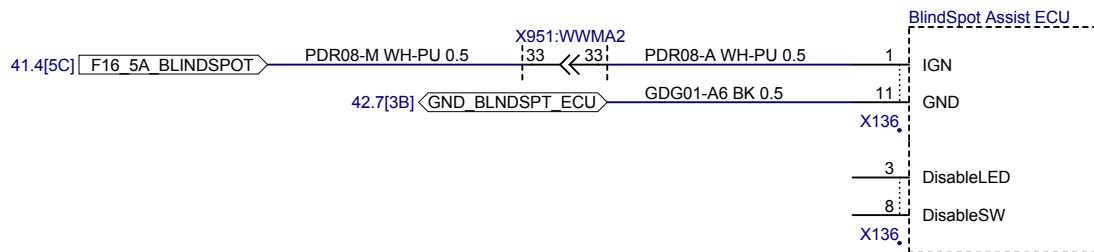
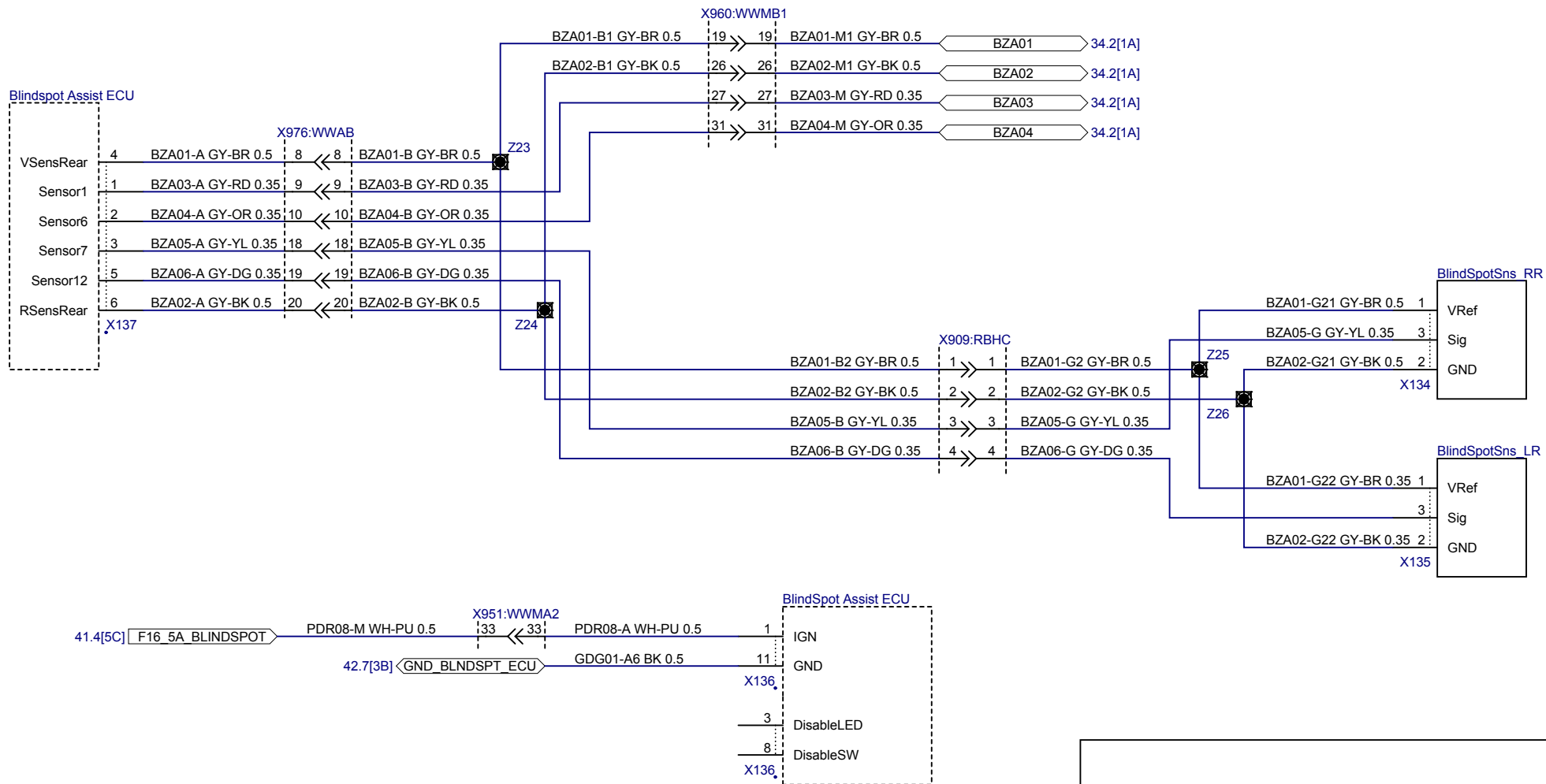
D

D



PROJECT NAME: Model S Wiring Diagram: LHD		PHASE: SOP(2012)
SHEET NAME: Rear View Camera		
ITEM NO. 1004573-00-D	REVISION: 09 (final)	DATE: 5/13/2014
DO NOT SCALE		SHEET 33.4

THE INFORMATION CONTAINED HEREIN IS DEEMED TO BE CONFIDENTIAL, PROPRIETARY, AND A TRADE SECRET OF TESLA MOTORS. THIS INFORMATION MAY NOT BE USED, REPRODUCED, OR DISCLOSED AS THE DIRECT OR INDIRECT BASIS FOR THE DEVELOPMENT, MANUFACTURE, OR SALE OF PROCESSES OR PRODUCTS WITHOUT THE EXPRESSED WRITTEN CONSENT OF TESLA MOTORS.



Function not supported on corresponding vehicles

All items this page for Advanced Safety Option Only

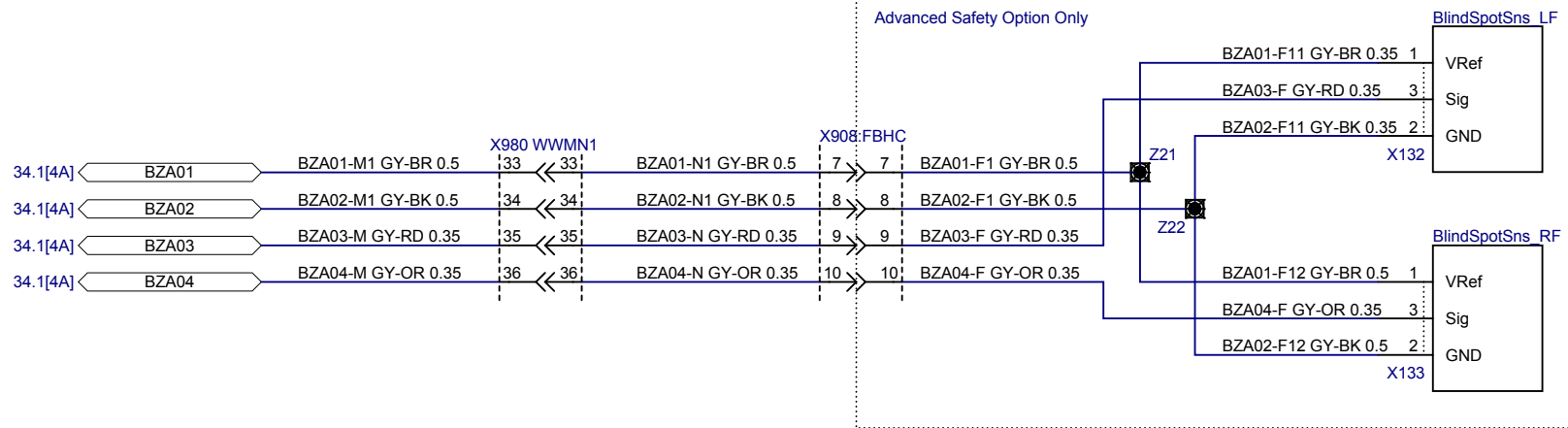


PROJECT NAME: Model S Wiring Diagram: LHD		PHASE: SOP(2012)
SHEET NAME: Advanced Safety - Blind Zone Assist		
ITEM NO. 1004573-00-D	REVISION: 09 (final)	DATE: 5/13/2014
DO NOT SCALE		SHEET 34.1

THE INFORMATION CONTAINED HEREIN IS DEEMED TO BE CONFIDENTIAL, PROPRIETARY, AND A TRADE SECRET OF TESLA MOTORS. THIS INFORMATION MAY NOT BE USED, REPRODUCED, OR DISCLOSED AS THE DIRECT OR INDIRECT BASIS FOR THE DEVELOPMENT, MANUFACTURE, OR SALE OF PROCESSES OR PRODUCTS WITHOUT THE EXPRESSED WRITTEN CONSENT OF TESLA MOTORS.

A

A



B

B

C

C

D

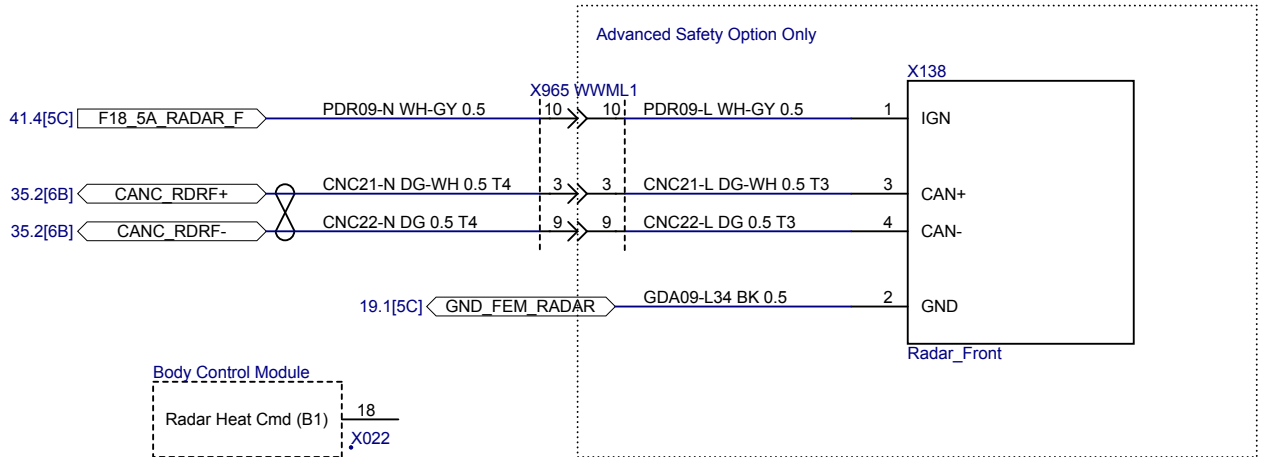
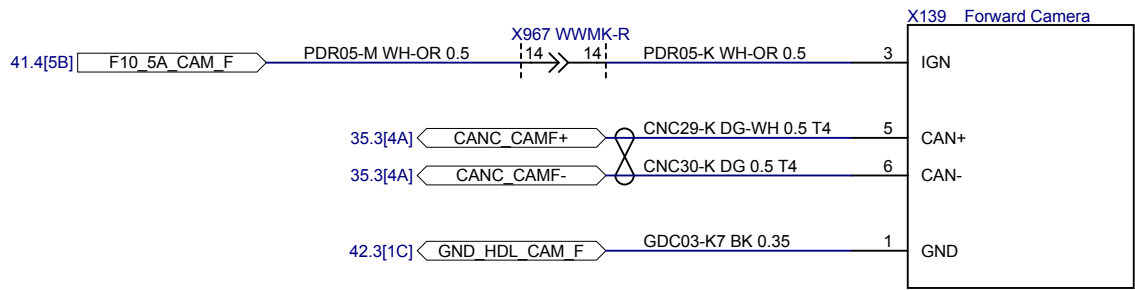
D

Function not supported on corresponding vehicles



PROJECT NAME: Model S Wiring Diagram: LHD		PHASE: SOP(2012)
SHEET NAME: Advanced Safety - Blind Zone Assist		
ITEM NO. 1004573-00-D	REVISION: 09 (final)	DATE: 5/13/2014
DO NOT SCALE		SHEET 34.2

THE INFORMATION CONTAINED HEREIN IS DEEMED TO BE CONFIDENTIAL, PROPRIETARY, AND A TRADE SECRET OF TESLA MOTORS. THIS INFORMATION MAY NOT BE USED, REPRODUCED, OR DISCLOSED AS THE DIRECT OR INDIRECT BASIS FOR THE DEVELOPMENT, MANUFACTURE, OR SALE OF PROCESSES OR PRODUCTS WITHOUT THE EXPRESSED WRITTEN CONSENT OF TESLA MOTORS.

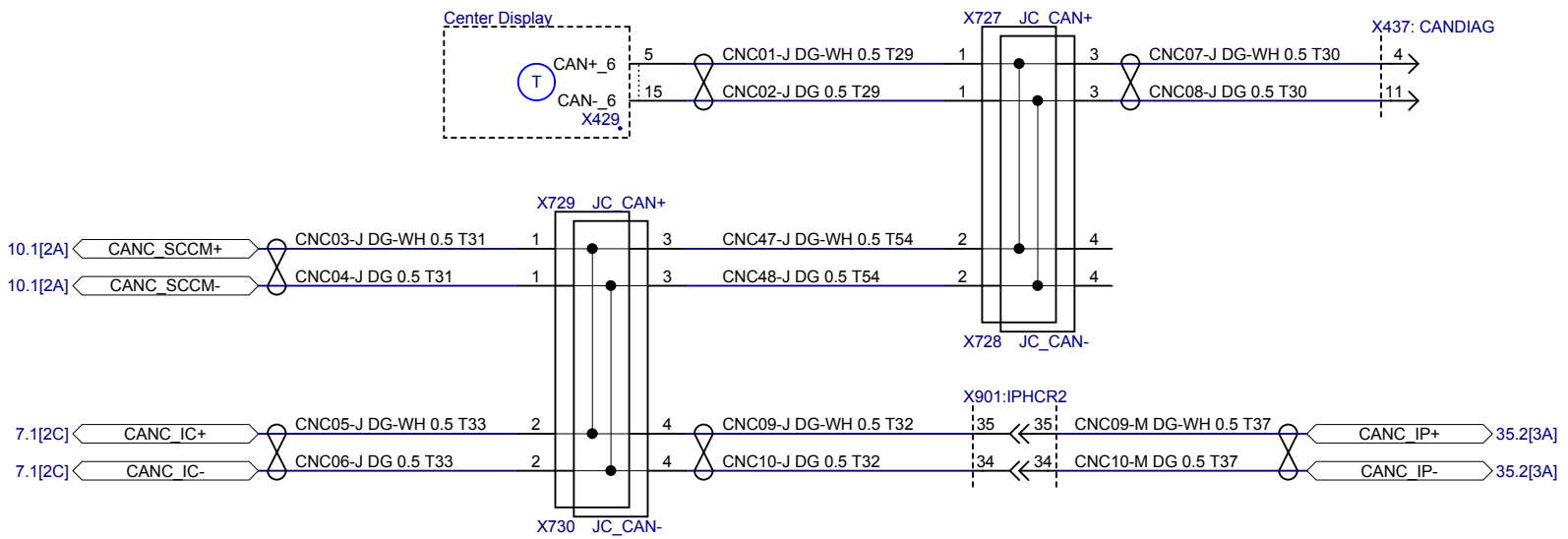


Function not supported on corresponding vehicles



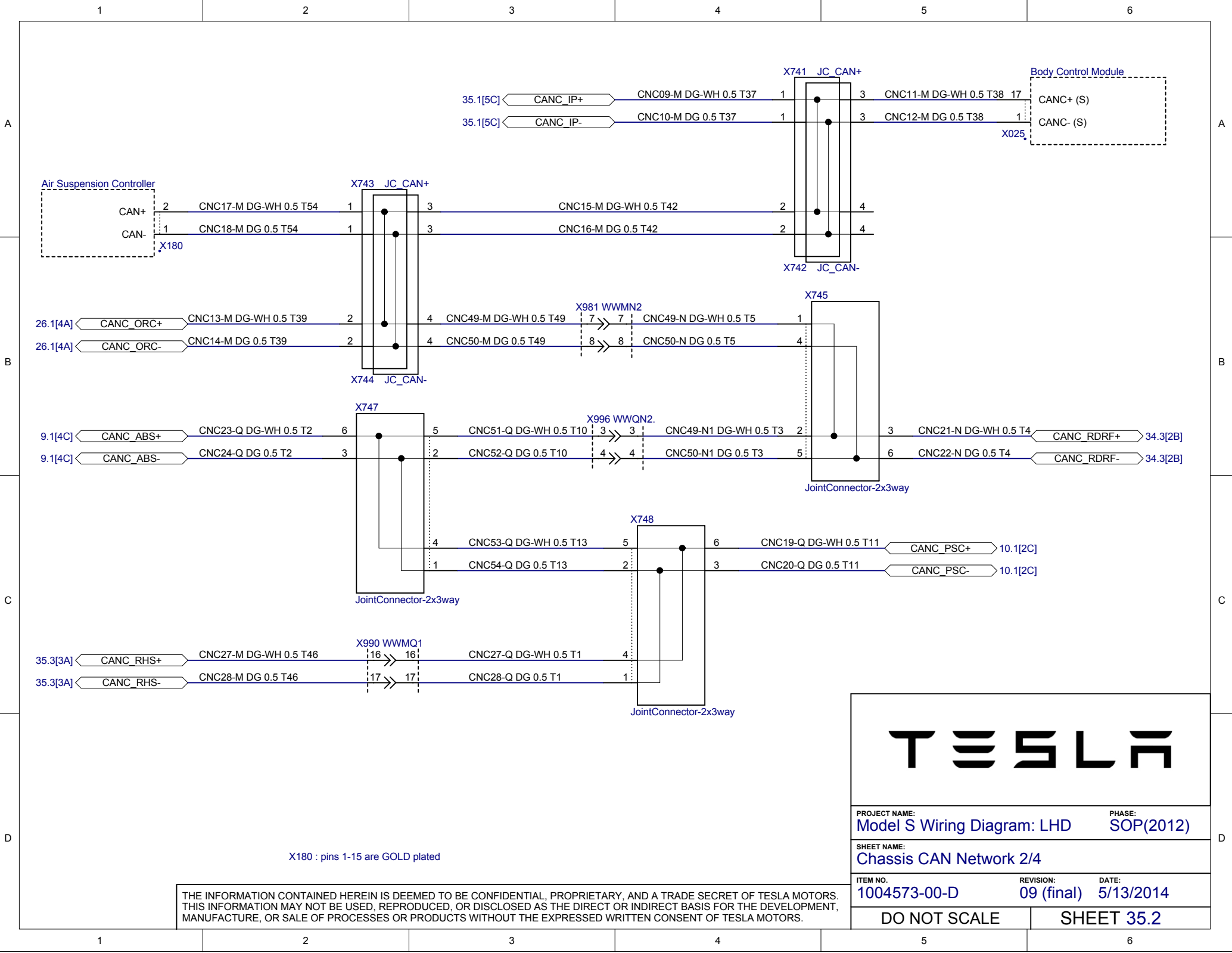
PROJECT NAME: Model S Wiring Diagram: LHD		PHASE: SOP(2012)
SHEET NAME: Advanced Safety - Front Camera and Radar		
ITEM NO. 1004573-00-D	REVISION: 09 (final)	DATE: 5/13/2014
DO NOT SCALE		SHEET 34.3

THE INFORMATION CONTAINED HEREIN IS DEEMED TO BE CONFIDENTIAL, PROPRIETARY, AND A TRADE SECRET OF TESLA MOTORS. THIS INFORMATION MAY NOT BE USED, REPRODUCED, OR DISCLOSED AS THE DIRECT OR INDIRECT BASIS FOR THE DEVELOPMENT, MANUFACTURE, OR SALE OF PROCESSES OR PRODUCTS WITHOUT THE EXPRESSED WRITTEN CONSENT OF TESLA MOTORS.



PROJECT NAME: Model S Wiring Diagram: LHD		PHASE: SOP(2012)
SHEET NAME: Chassis CAN Network 1/4 (IP)		
ITEM NO. 1004573-00-D	REVISION: 09 (final)	DATE: 5/13/2014
DO NOT SCALE		SHEET 35.1

THE INFORMATION CONTAINED HEREIN IS DEEMED TO BE CONFIDENTIAL, PROPRIETARY, AND A TRADE SECRET OF TESLA MOTORS. THIS INFORMATION MAY NOT BE USED, REPRODUCED, OR DISCLOSED AS THE DIRECT OR INDIRECT BASIS FOR THE DEVELOPMENT, MANUFACTURE, OR SALE OF PROCESSES OR PRODUCTS WITHOUT THE EXPRESSED WRITTEN CONSENT OF TESLA MOTORS.

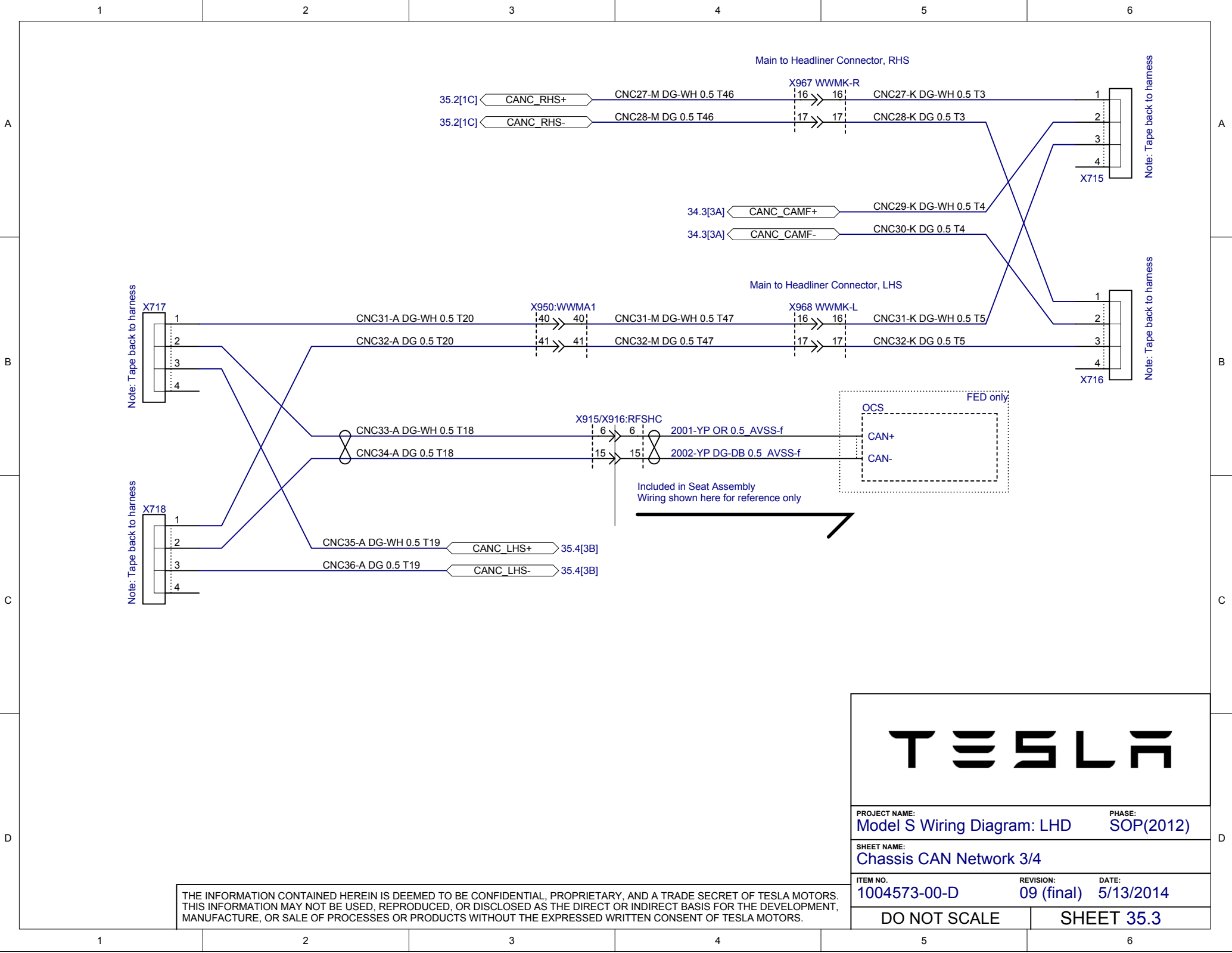


X180 : pins 1-15 are GOLD plated

THE INFORMATION CONTAINED HEREIN IS DEEMED TO BE CONFIDENTIAL, PROPRIETARY, AND A TRADE SECRET OF TESLA MOTORS. THIS INFORMATION MAY NOT BE USED, REPRODUCED, OR DISCLOSED AS THE DIRECT OR INDIRECT BASIS FOR THE DEVELOPMENT, MANUFACTURE, OR SALE OF PROCESSES OR PRODUCTS WITHOUT THE EXPRESSED WRITTEN CONSENT OF TESLA MOTORS.

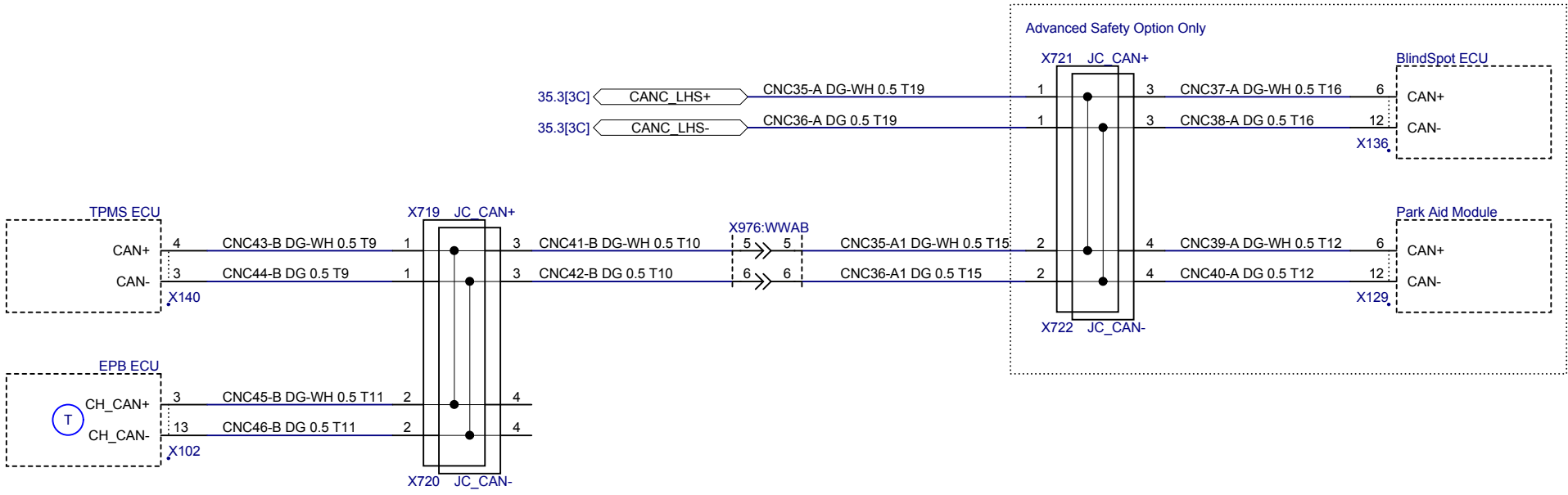
TESLA

PROJECT NAME: Model S Wiring Diagram: LHD		PHASE: SOP(2012)	
SHEET NAME: Chassis CAN Network 2/4			
ITEM NO. 1004573-00-D	REVISION: 09 (final)	DATE: 5/13/2014	
DO NOT SCALE		SHEET 35.2	



PROJECT NAME: Model S Wiring Diagram: LHD		PHASE: SOP(2012)
SHEET NAME: Chassis CAN Network 3/4		
ITEM NO. 1004573-00-D	REVISION: 09 (final)	DATE: 5/13/2014
DO NOT SCALE		SHEET 35.3

THE INFORMATION CONTAINED HEREIN IS DEEMED TO BE CONFIDENTIAL, PROPRIETARY, AND A TRADE SECRET OF TESLA MOTORS. THIS INFORMATION MAY NOT BE USED, REPRODUCED, OR DISCLOSED AS THE DIRECT OR INDIRECT BASIS FOR THE DEVELOPMENT, MANUFACTURE, OR SALE OF PROCESSES OR PRODUCTS WITHOUT THE EXPRESSED WRITTEN CONSENT OF TESLA MOTORS.



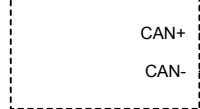
PROJECT NAME: Model S Wiring Diagram: LHD		PHASE: SOP(2012)
SHEET NAME: Chassis CAN Network 4/4		
ITEM NO. 1004573-00-D	REVISION: 09 (final)	DATE: 5/13/2014
DO NOT SCALE		SHEET 35.4

THE INFORMATION CONTAINED HEREIN IS DEEMED TO BE CONFIDENTIAL, PROPRIETARY, AND A TRADE SECRET OF TESLA MOTORS. THIS INFORMATION MAY NOT BE USED, REPRODUCED, OR DISCLOSED AS THE DIRECT OR INDIRECT BASIS FOR THE DEVELOPMENT, MANUFACTURE, OR SALE OF PROCESSES OR PRODUCTS WITHOUT THE EXPRESSED WRITTEN CONSENT OF TESLA MOTORS.

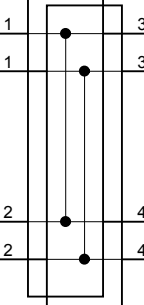
A

A

Radio Head Unit

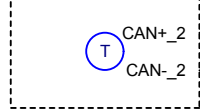


X731 JC_CAN+



X437 CAN DIAG

Center Display



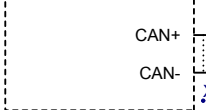
X732 JC_CAN-

X901:IPHCR2

B

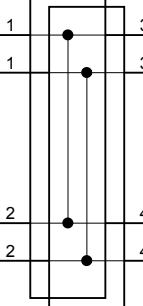
B

Door Control Module RF



X904: RFDHC1

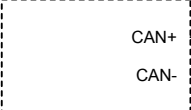
X749 JC_CAN+



C

C

Sunroof Control Module



X919:VWVME

X750 JC_CAN-



PROJECT NAME: Model S Wiring Diagram: LHD PHASE: SOP(2012)

SHEET NAME: Body CAN Network

ITEM NO. 1004573-00-D REVISION: 09 (final) DATE: 5/13/2014

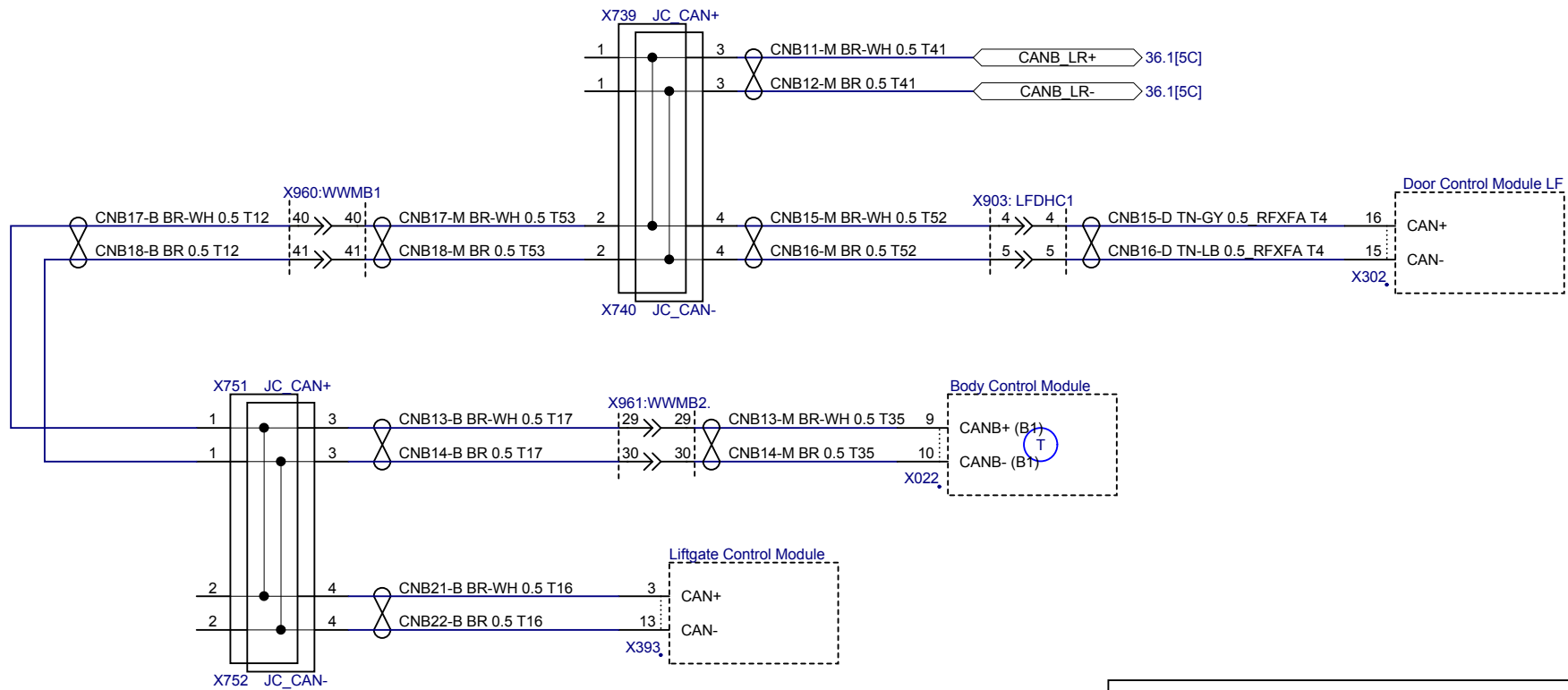
DO NOT SCALE

SHEET 36.1

THE INFORMATION CONTAINED HEREIN IS DEEMED TO BE CONFIDENTIAL, PROPRIETARY, AND A TRADE SECRET OF TESLA MOTORS. THIS INFORMATION MAY NOT BE USED, REPRODUCED, OR DISCLOSED AS THE DIRECT OR INDIRECT BASIS FOR THE DEVELOPMENT, MANUFACTURE, OR SALE OF PROCESSES OR PRODUCTS WITHOUT THE EXPRESSED WRITTEN CONSENT OF TESLA MOTORS.

D

D



PROJECT NAME: Model S Wiring Diagram: LHD PHASE: SOP(2012)

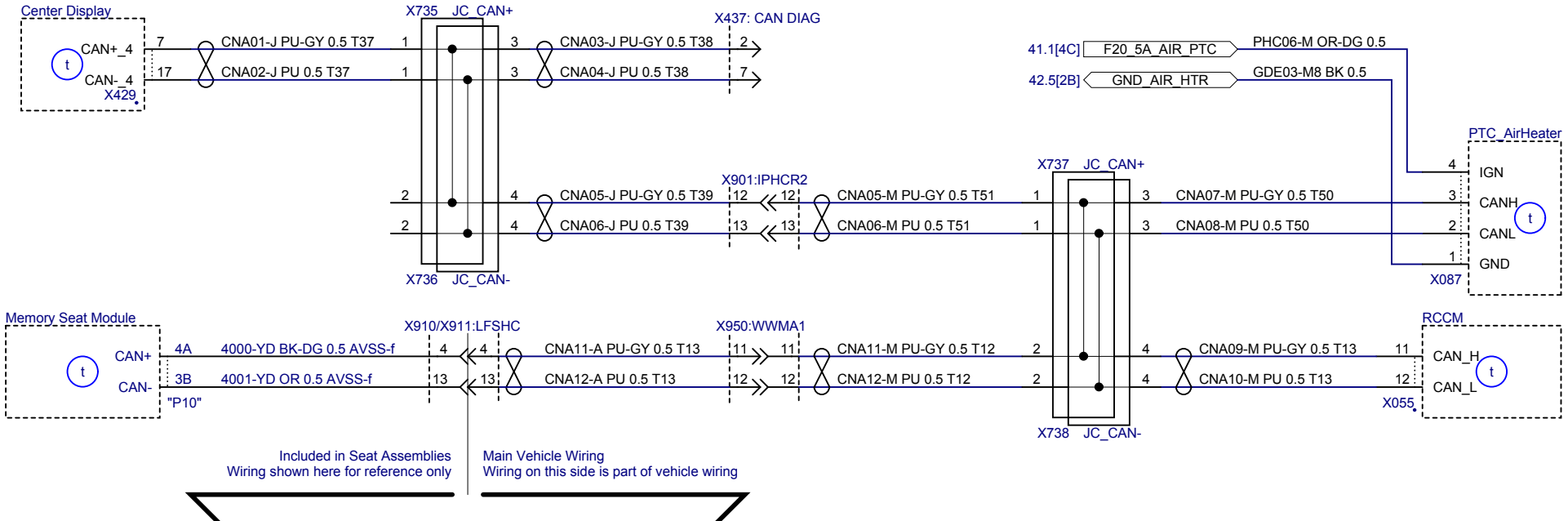
SHEET NAME: Body CAN Network

ITEM NO. 1004573-00-D REVISION: 09 (final) DATE: 5/13/2014

DO NOT SCALE

SHEET 36.2

THE INFORMATION CONTAINED HEREIN IS DEEMED TO BE CONFIDENTIAL, PROPRIETARY, AND A TRADE SECRET OF TESLA MOTORS. THIS INFORMATION MAY NOT BE USED, REPRODUCED, OR DISCLOSED AS THE DIRECT OR INDIRECT BASIS FOR THE DEVELOPMENT, MANUFACTURE, OR SALE OF PROCESSES OR PRODUCTS WITHOUT THE EXPRESSED WRITTEN CONSENT OF TESLA MOTORS.



PROJECT NAME: Model S Wiring Diagram: LHD PHASE: SOP(2012)

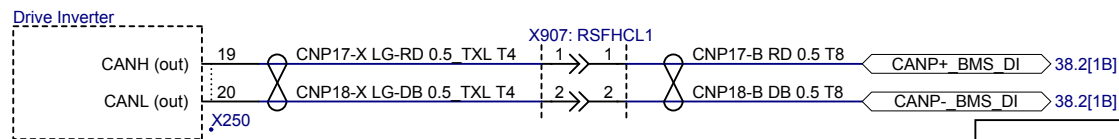
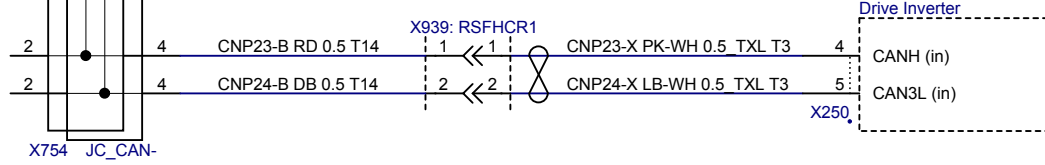
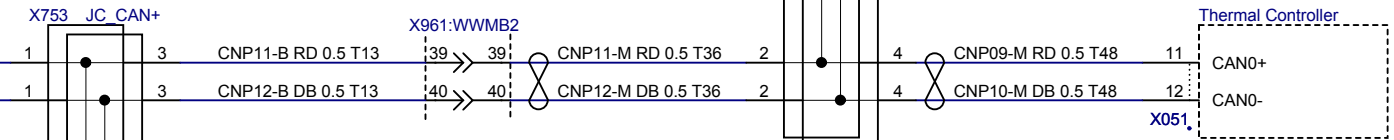
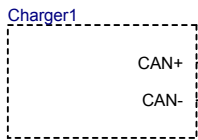
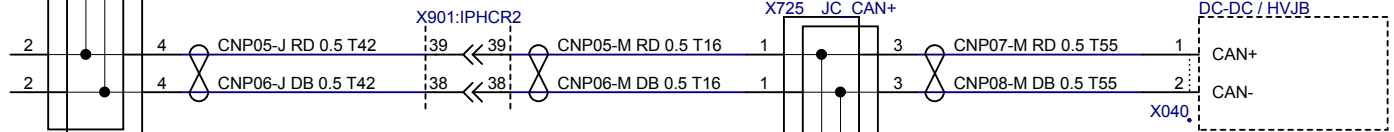
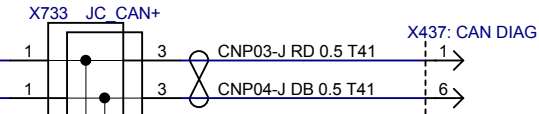
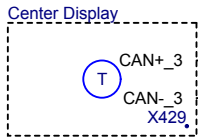
SHEET NAME: Body FT CAN Network

ITEM NO. 1004573-00-D REVISION: 09 (final) DATE: 5/13/2014

DO NOT SCALE

SHEET 37.1

THE INFORMATION CONTAINED HEREIN IS DEEMED TO BE CONFIDENTIAL, PROPRIETARY, AND A TRADE SECRET OF TESLA MOTORS. THIS INFORMATION MAY NOT BE USED, REPRODUCED, OR DISCLOSED AS THE DIRECT OR INDIRECT BASIS FOR THE DEVELOPMENT, MANUFACTURE, OR SALE OF PROCESSES OR PRODUCTS WITHOUT THE EXPRESSED WRITTEN CONSENT OF TESLA MOTORS.



PROJECT NAME: Model S Wiring Diagram: LHD PHASE: SOP(2012)

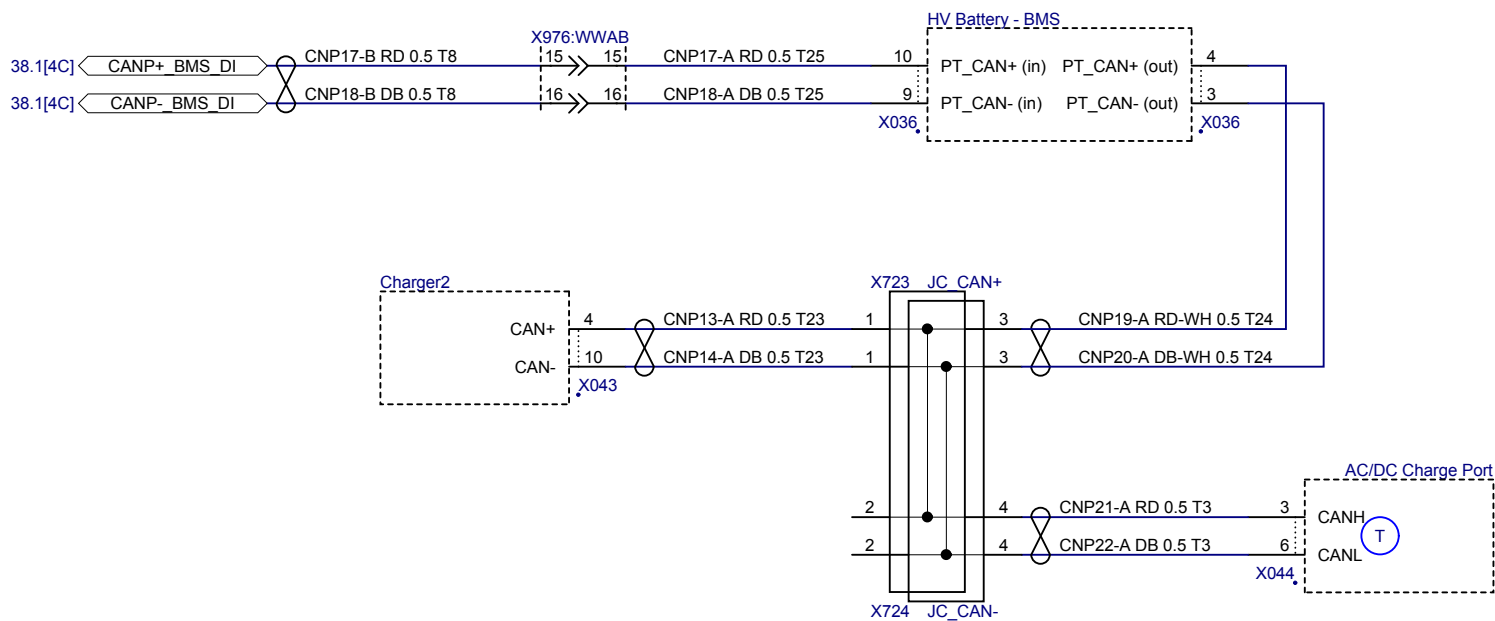
SHEET NAME: PT CAN Network 1/2

ITEM NO. 1004573-00-D REVISION: 09 (final) DATE: 5/13/2014

DO NOT SCALE

SHEET 38.1

THE INFORMATION CONTAINED HEREIN IS DEEMED TO BE CONFIDENTIAL, PROPRIETARY, AND A TRADE SECRET OF TESLA MOTORS. THIS INFORMATION MAY NOT BE USED, REPRODUCED, OR DISCLOSED AS THE DIRECT OR INDIRECT BASIS FOR THE DEVELOPMENT, MANUFACTURE, OR SALE OF PROCESSES OR PRODUCTS WITHOUT THE EXPRESSED WRITTEN CONSENT OF TESLA MOTORS.



PROJECT NAME: Model S Wiring Diagram: LHD PHASE: SOP(2012)

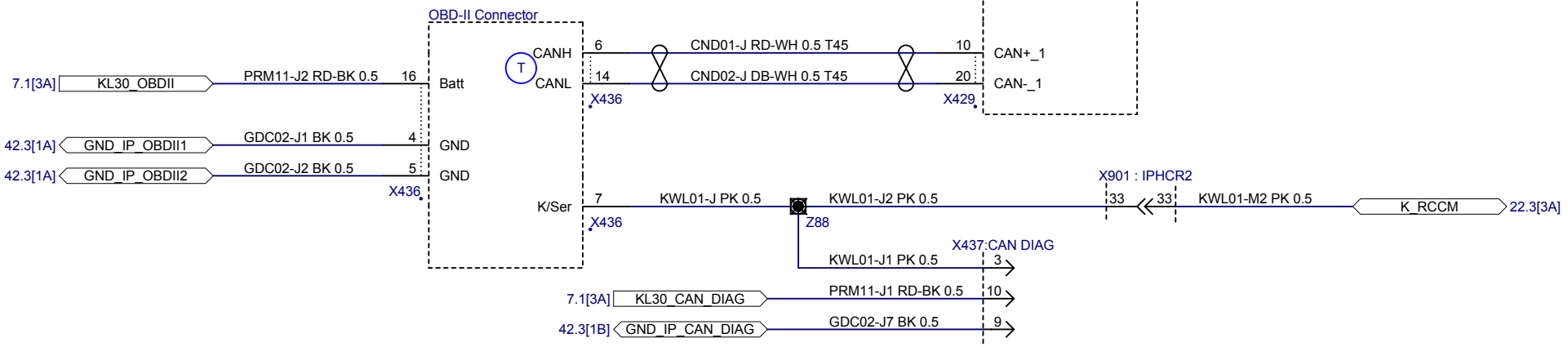
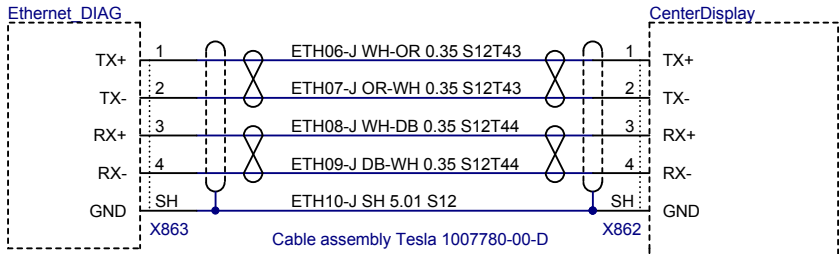
SHEET NAME: PT CAN Network 2/2

ITEM NO. 1004573-00-D REVISION: 09 (final) DATE: 5/13/2014

DO NOT SCALE

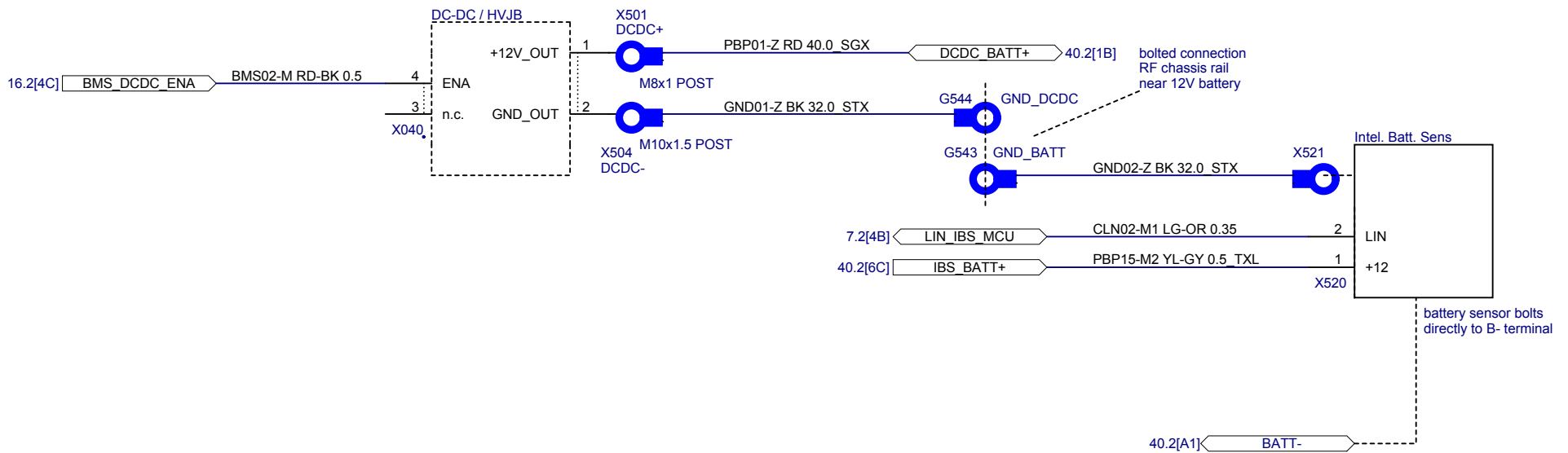
SHEET 38.2

THE INFORMATION CONTAINED HEREIN IS DEEMED TO BE CONFIDENTIAL, PROPRIETARY, AND A TRADE SECRET OF TESLA MOTORS. THIS INFORMATION MAY NOT BE USED, REPRODUCED, OR DISCLOSED AS THE DIRECT OR INDIRECT BASIS FOR THE DEVELOPMENT, MANUFACTURE, OR SALE OF PROCESSES OR PRODUCTS WITHOUT THE EXPRESSED WRITTEN CONSENT OF TESLA MOTORS.



PROJECT NAME: Model S Wiring Diagram: LHD		PHASE: SOP(2012)
SHEET NAME: Vehicle Diagnostic Connections		
ITEM NO. 1004573-00-D	REVISION: 09 (final)	DATE: 5/13/2014
DO NOT SCALE		SHEET 39.1

THE INFORMATION CONTAINED HEREIN IS DEEMED TO BE CONFIDENTIAL, PROPRIETARY, AND A TRADE SECRET OF TESLA MOTORS. THIS INFORMATION MAY NOT BE USED, REPRODUCED, OR DISCLOSED AS THE DIRECT OR INDIRECT BASIS FOR THE DEVELOPMENT, MANUFACTURE, OR SALE OF PROCESSES OR PRODUCTS WITHOUT THE EXPRESSED WRITTEN CONSENT OF TESLA MOTORS.



TESLA

PROJECT NAME: Model S Wiring Diagram: LHD PHASE: SOP(2012)

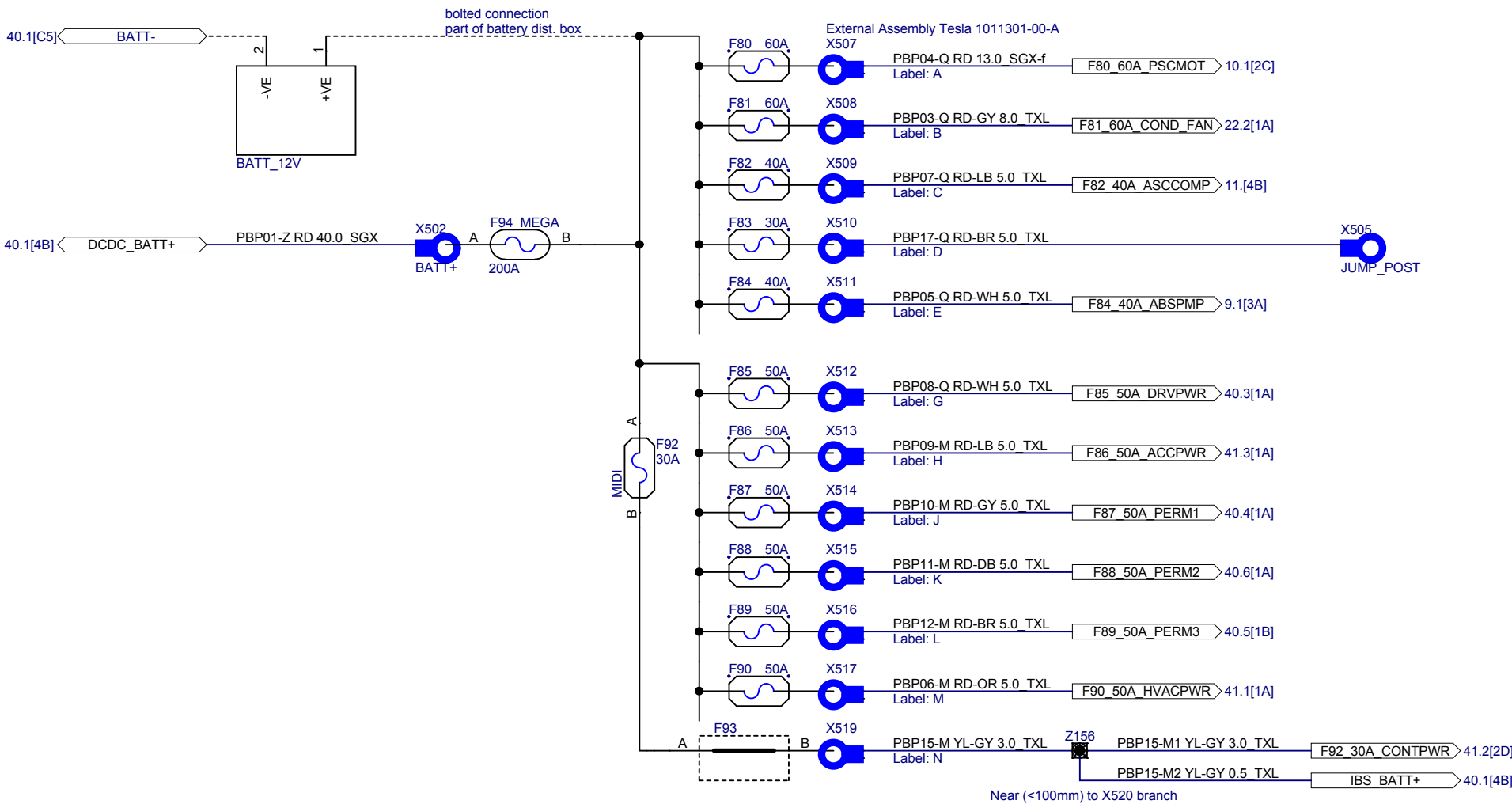
SHEET NAME: DC-DC + 12V Battery Sensor

ITEM NO. 1004573-00-D REVISION: 09 (final) DATE: 5/13/2014

DO NOT SCALE

SHEET 40.1

THE INFORMATION CONTAINED HEREIN IS DEEMED TO BE CONFIDENTIAL, PROPRIETARY, AND A TRADE SECRET OF TESLA MOTORS. THIS INFORMATION MAY NOT BE USED, REPRODUCED, OR DISCLOSED AS THE DIRECT OR INDIRECT BASIS FOR THE DEVELOPMENT, MANUFACTURE, OR SALE OF PROCESSES OR PRODUCTS WITHOUT THE EXPRESSED WRITTEN CONSENT OF TESLA MOTORS.



PROJECT NAME: Model S Wiring Diagram: LHD PHASE: SOP(2012)

SHEET NAME: 12V Battery Distribution

ITEM NO. 1004573-00-D REVISION: 09 (final) DATE: 5/13/2014

DO NOT SCALE

SHEET 40.2

THE INFORMATION CONTAINED HEREIN IS DEEMED TO BE CONFIDENTIAL, PROPRIETARY, AND A TRADE SECRET OF TESLA MOTORS. THIS INFORMATION MAY NOT BE USED, REPRODUCED, OR DISCLOSED AS THE DIRECT OR INDIRECT BASIS FOR THE DEVELOPMENT, MANUFACTURE, OR SALE OF PROCESSES OR PRODUCTS WITHOUT THE EXPRESSED WRITTEN CONSENT OF TESLA MOTORS.

A

A

B

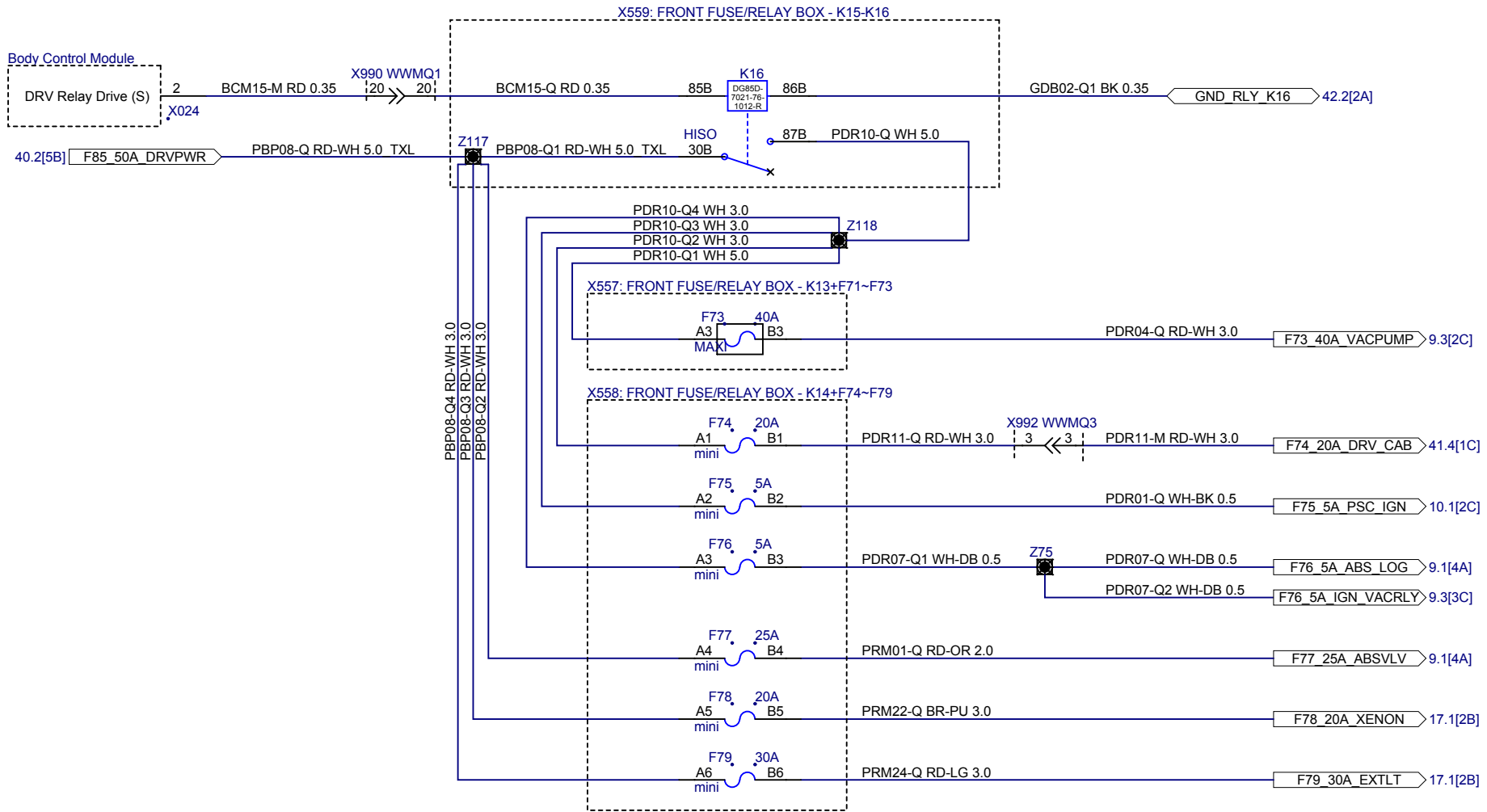
B

C

C

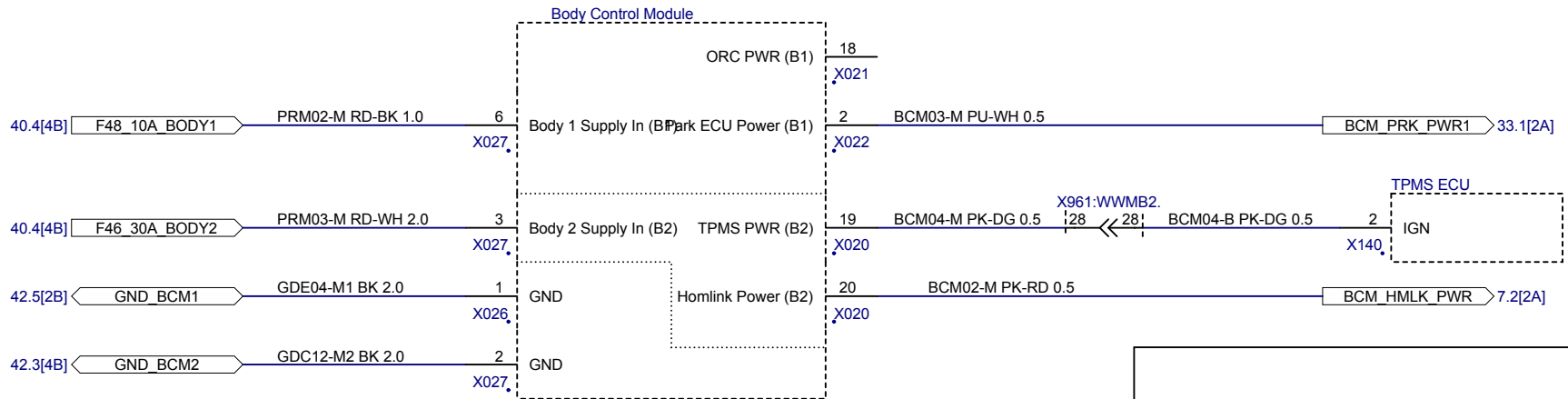
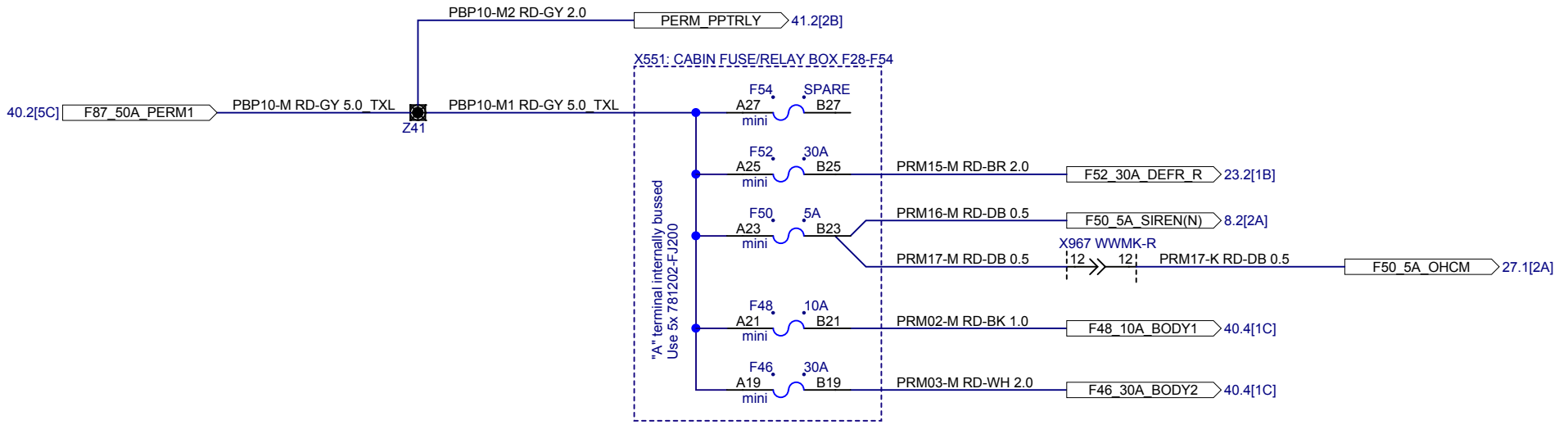
D

D



PROJECT NAME: Model S Wiring Diagram: LHD		PHASE: SOP(2012)
SHEET NAME: Front Power Dist. - Drive, ABS Valves, HVAC		
ITEM NO. 1004573-00-D	REVISION: 09 (final)	DATE: 5/13/2014
DO NOT SCALE		SHEET 40.3

THE INFORMATION CONTAINED HEREIN IS DEEMED TO BE CONFIDENTIAL, PROPRIETARY, AND A TRADE SECRET OF TESLA MOTORS. THIS INFORMATION MAY NOT BE USED, REPRODUCED, OR DISCLOSED AS THE DIRECT OR INDIRECT BASIS FOR THE DEVELOPMENT, MANUFACTURE, OR SALE OF PROCESSES OR PRODUCTS WITHOUT THE EXPRESSED WRITTEN CONSENT OF TESLA MOTORS.



PROJECT NAME: Model S Wiring Diagram: LHD PHASE: SOP(2012)

SHEET NAME: BCM Power Connections + KL30 Dist.

ITEM NO. 1004573-00-D REVISION: 09 (final) DATE: 5/13/2014

DO NOT SCALE

SHEET 40.4

THE INFORMATION CONTAINED HEREIN IS DEEMED TO BE CONFIDENTIAL, PROPRIETARY, AND A TRADE SECRET OF TESLA MOTORS. THIS INFORMATION MAY NOT BE USED, REPRODUCED, OR DISCLOSED AS THE DIRECT OR INDIRECT BASIS FOR THE DEVELOPMENT, MANUFACTURE, OR SALE OF PROCESSES OR PRODUCTS WITHOUT THE EXPRESSED WRITTEN CONSENT OF TESLA MOTORS.

A

A

B

B

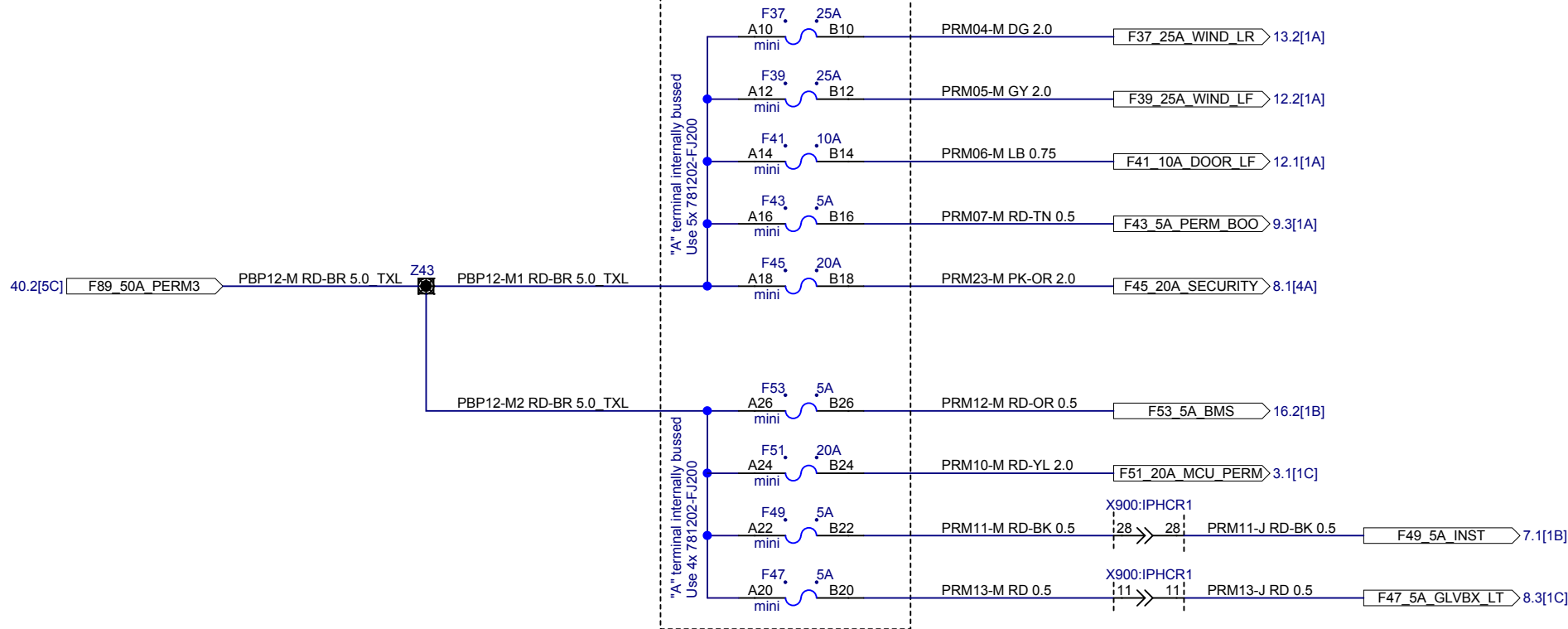
C

C

D

D

X551: CABIN FUSE/RELAY BOX - F28-F54



PROJECT NAME: Model S Wiring Diagram: LHD PHASE: SOP(2012)

SHEET NAME: KL30 Distribution

ITEM NO. 1004573-00-D REVISION: 09 (final) DATE: 5/13/2014

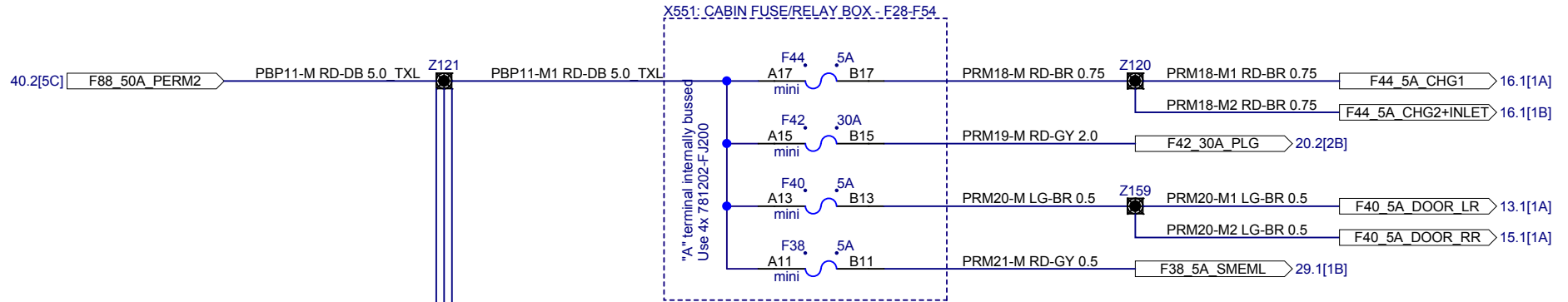
DO NOT SCALE

SHEET 40.5

THE INFORMATION CONTAINED HEREIN IS DEEMED TO BE CONFIDENTIAL, PROPRIETARY, AND A TRADE SECRET OF TESLA MOTORS. THIS INFORMATION MAY NOT BE USED, REPRODUCED, OR DISCLOSED AS THE DIRECT OR INDIRECT BASIS FOR THE DEVELOPMENT, MANUFACTURE, OR SALE OF PROCESSES OR PRODUCTS WITHOUT THE EXPRESSED WRITTEN CONSENT OF TESLA MOTORS.

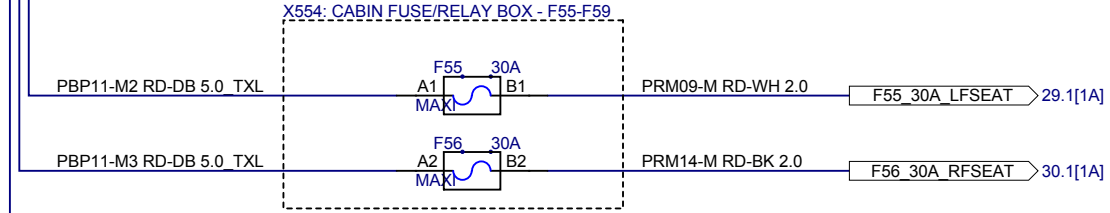
A

A



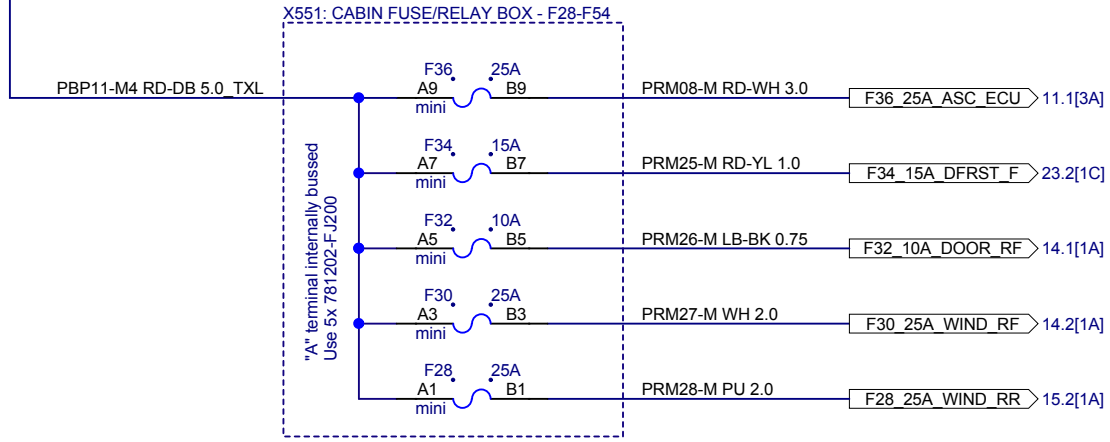
B

B



C

C



D

D



PROJECT NAME: Model S Wiring Diagram: LHD PHASE: SOP(2012)

SHEET NAME: KL30 Distribution

ITEM NO. 1004573-00-D REVISION: 09 (final) DATE: 5/13/2014

DO NOT SCALE

SHEET 40.6

THE INFORMATION CONTAINED HEREIN IS DEEMED TO BE CONFIDENTIAL, PROPRIETARY, AND A TRADE SECRET OF TESLA MOTORS. THIS INFORMATION MAY NOT BE USED, REPRODUCED, OR DISCLOSED AS THE DIRECT OR INDIRECT BASIS FOR THE DEVELOPMENT, MANUFACTURE, OR SALE OF PROCESSES OR PRODUCTS WITHOUT THE EXPRESSED WRITTEN CONSENT OF TESLA MOTORS.

A

A

B

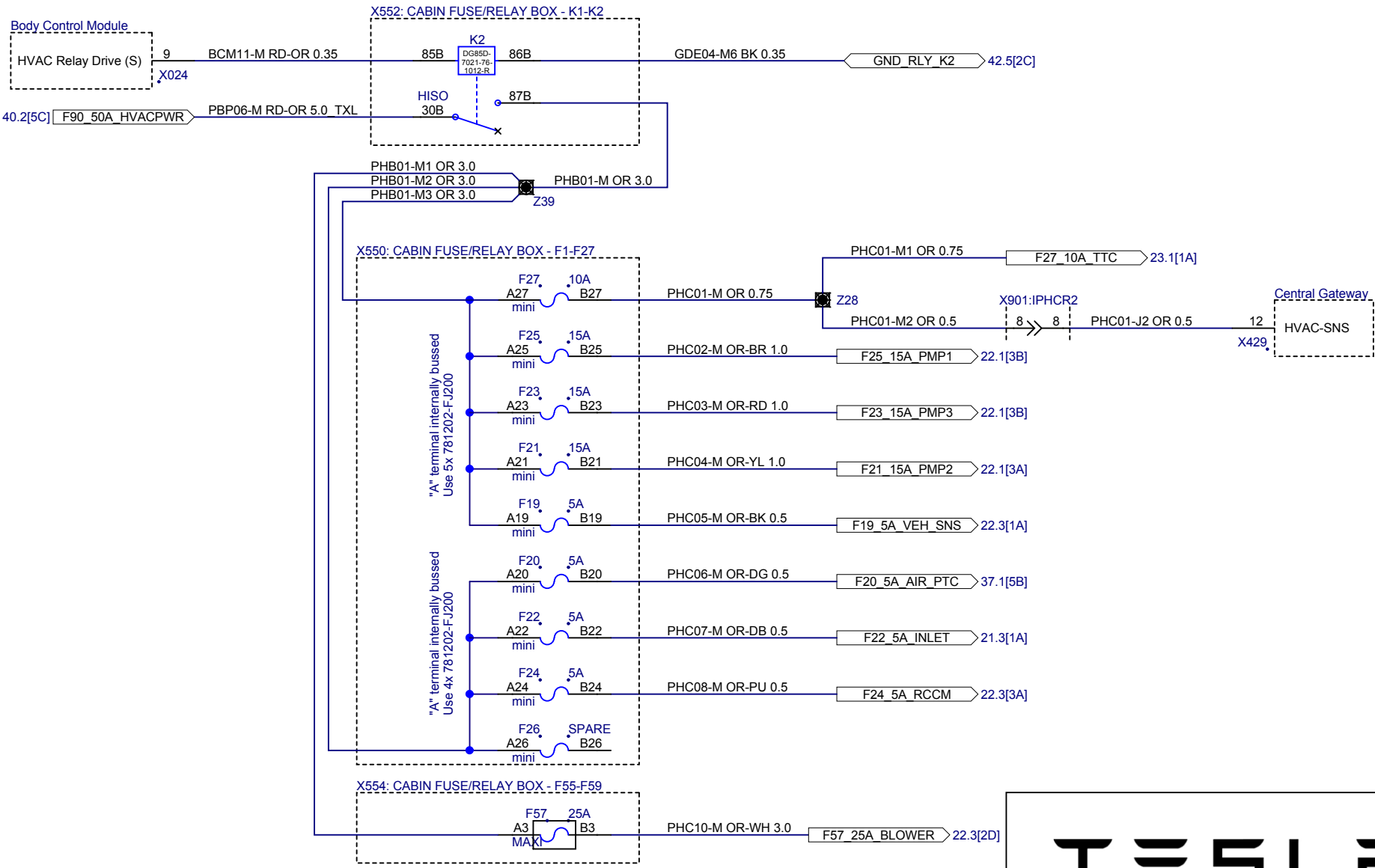
B

C

C

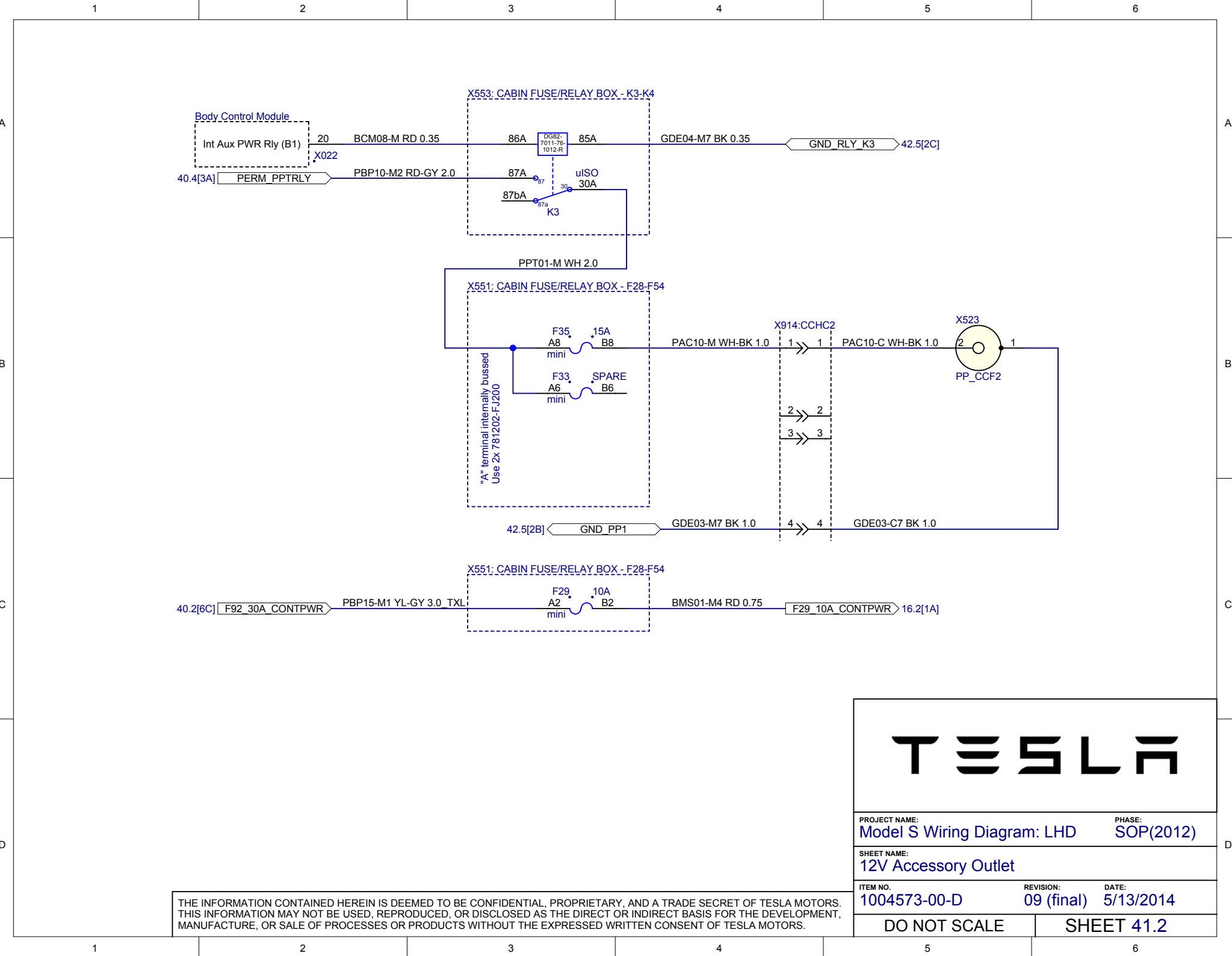
D

D



PROJECT NAME: Model S Wiring Diagram: LHD		PHASE: SOP(2012)
SHEET NAME: Power Distribution - HVAC Low Power		
ITEM NO. 1004573-00-D	REVISION: 09 (final)	DATE: 5/13/2014
DO NOT SCALE		SHEET 41.1

THE INFORMATION CONTAINED HEREIN IS DEEMED TO BE CONFIDENTIAL, PROPRIETARY, AND A TRADE SECRET OF TESLA MOTORS. THIS INFORMATION MAY NOT BE USED, REPRODUCED, OR DISCLOSED AS THE DIRECT OR INDIRECT BASIS FOR THE DEVELOPMENT, MANUFACTURE, OR SALE OF PROCESSES OR PRODUCTS WITHOUT THE EXPRESSED WRITTEN CONSENT OF TESLA MOTORS.



1 2 3 4 5 6

A A

B B

C C

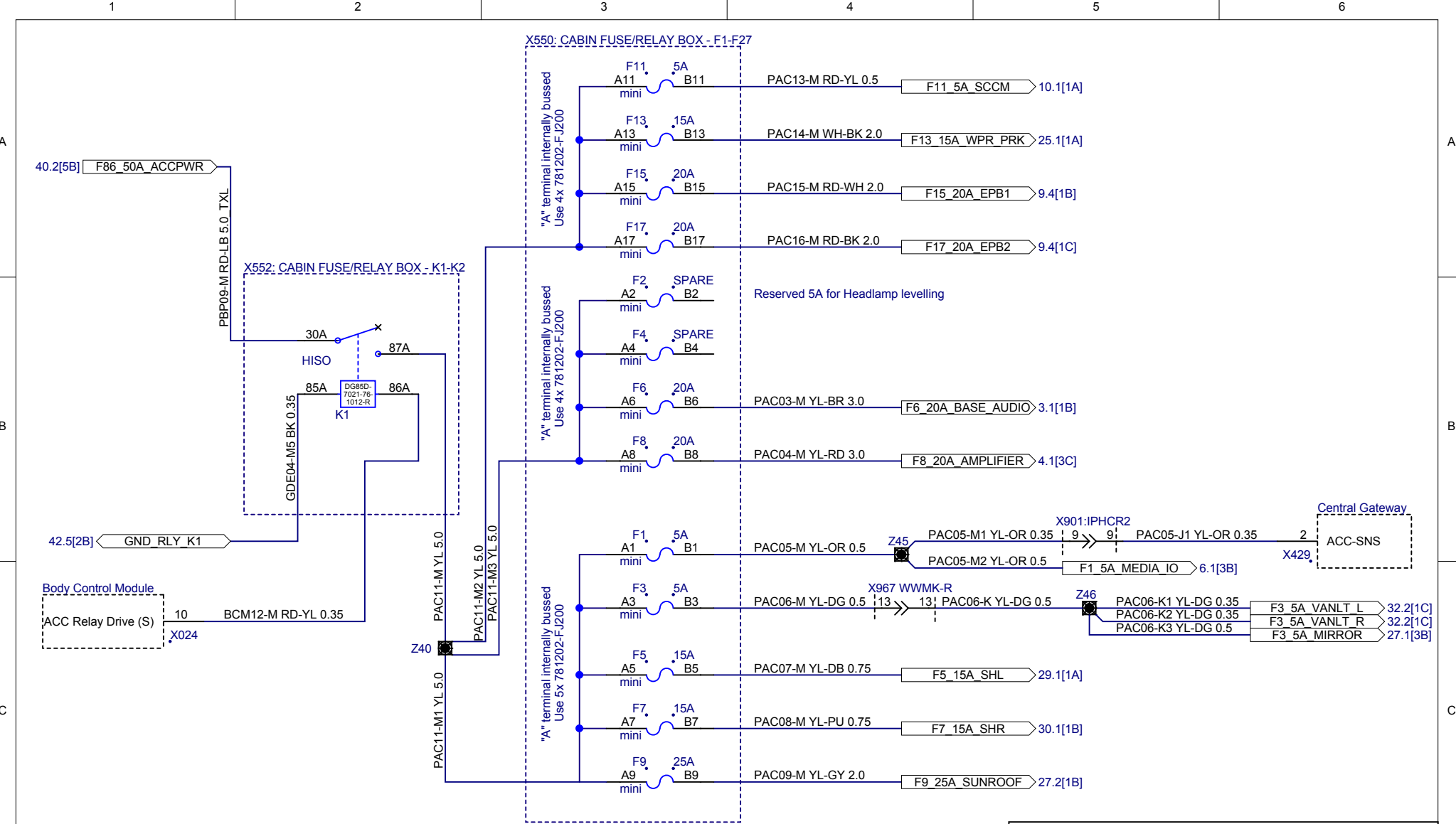
D D

1 2 3 4 5 6



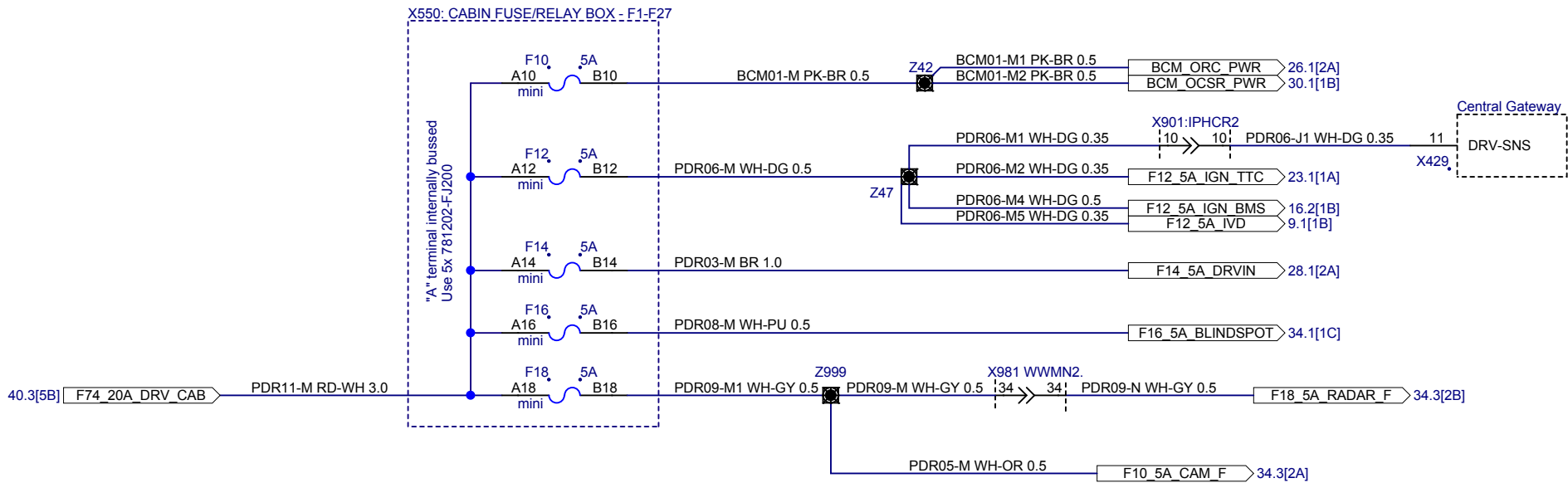
PROJECT NAME: Model S Wiring Diagram: LHD		PHASE: SOP(2012)
SHEET NAME: 12V Accessory Outlet		
ITEM NO. 1004573-00-D	REVISION: 09 (final)	DATE: 5/13/2014
DO NOT SCALE		SHEET 41.2

THE INFORMATION CONTAINED HEREIN IS DEEMED TO BE CONFIDENTIAL, PROPRIETARY, AND A TRADE SECRET OF TESLA MOTORS. THIS INFORMATION MAY NOT BE USED, REPRODUCED, OR DISCLOSED AS THE DIRECT OR INDIRECT BASIS FOR THE DEVELOPMENT, MANUFACTURE, OR SALE OF PROCESSES OR PRODUCTS WITHOUT THE EXPRESSED WRITTEN CONSENT OF TESLA MOTORS.



PROJECT NAME: Model S Wiring Diagram: LHD		PHASE: SOP(2012)
SHEET NAME: Power Distribution - ACC		
ITEM NO. 1004573-00-D	REVISION: 09 (final)	DATE: 5/13/2014
DO NOT SCALE		SHEET 41.3

THE INFORMATION CONTAINED HEREIN IS DEEMED TO BE CONFIDENTIAL, PROPRIETARY, AND A TRADE SECRET OF TESLA MOTORS. THIS INFORMATION MAY NOT BE USED, REPRODUCED, OR DISCLOSED AS THE DIRECT OR INDIRECT BASIS FOR THE DEVELOPMENT, MANUFACTURE, OR SALE OF PROCESSES OR PRODUCTS WITHOUT THE EXPRESSED WRITTEN CONSENT OF TESLA MOTORS.



PROJECT NAME: Model S Wiring Diagram: LHD PHASE: SOP(2012)

SHEET NAME: Power Distribution - DRV

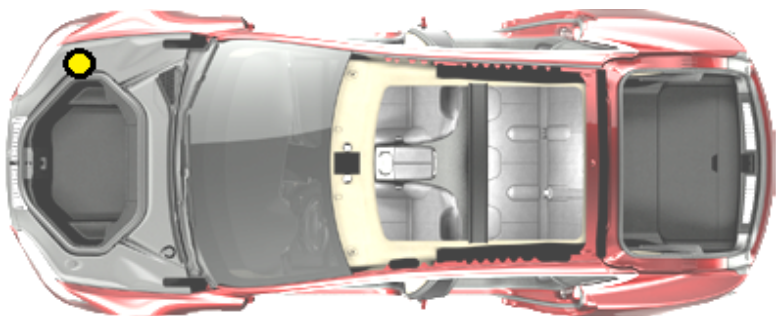
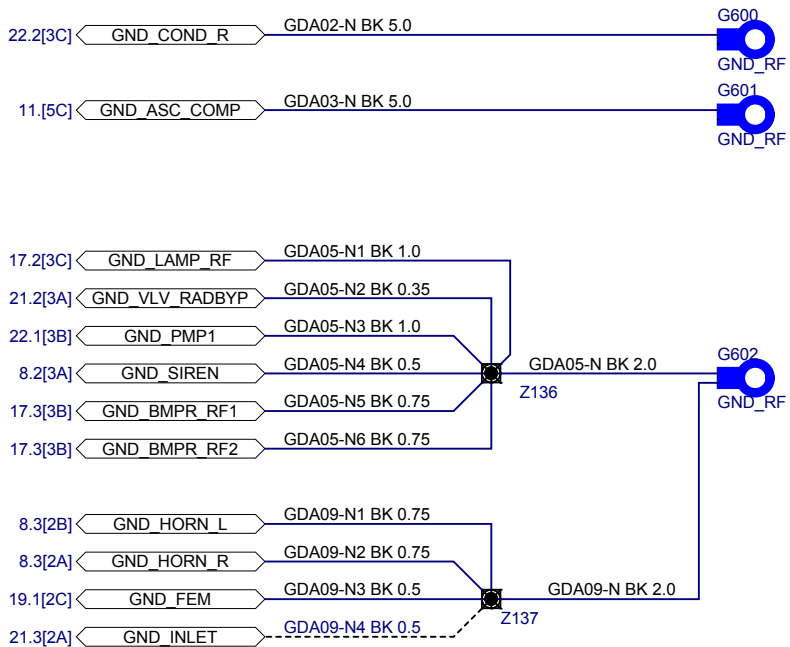
ITEM NO. 1004573-00-D REVISION: 09 (final) DATE: 5/13/2014

DO NOT SCALE

SHEET 41.4

THE INFORMATION CONTAINED HEREIN IS DEEMED TO BE CONFIDENTIAL, PROPRIETARY, AND A TRADE SECRET OF TESLA MOTORS. THIS INFORMATION MAY NOT BE USED, REPRODUCED, OR DISCLOSED AS THE DIRECT OR INDIRECT BASIS FOR THE DEVELOPMENT, MANUFACTURE, OR SALE OF PROCESSES OR PRODUCTS WITHOUT THE EXPRESSED WRITTEN CONSENT OF TESLA MOTORS.

RF Ground Point - Forward of Wheel



PROJECT NAME: Model S Wiring Diagram: LHD PHASE: SOP(2012)

SHEET NAME: Ground Distribution - Right Front

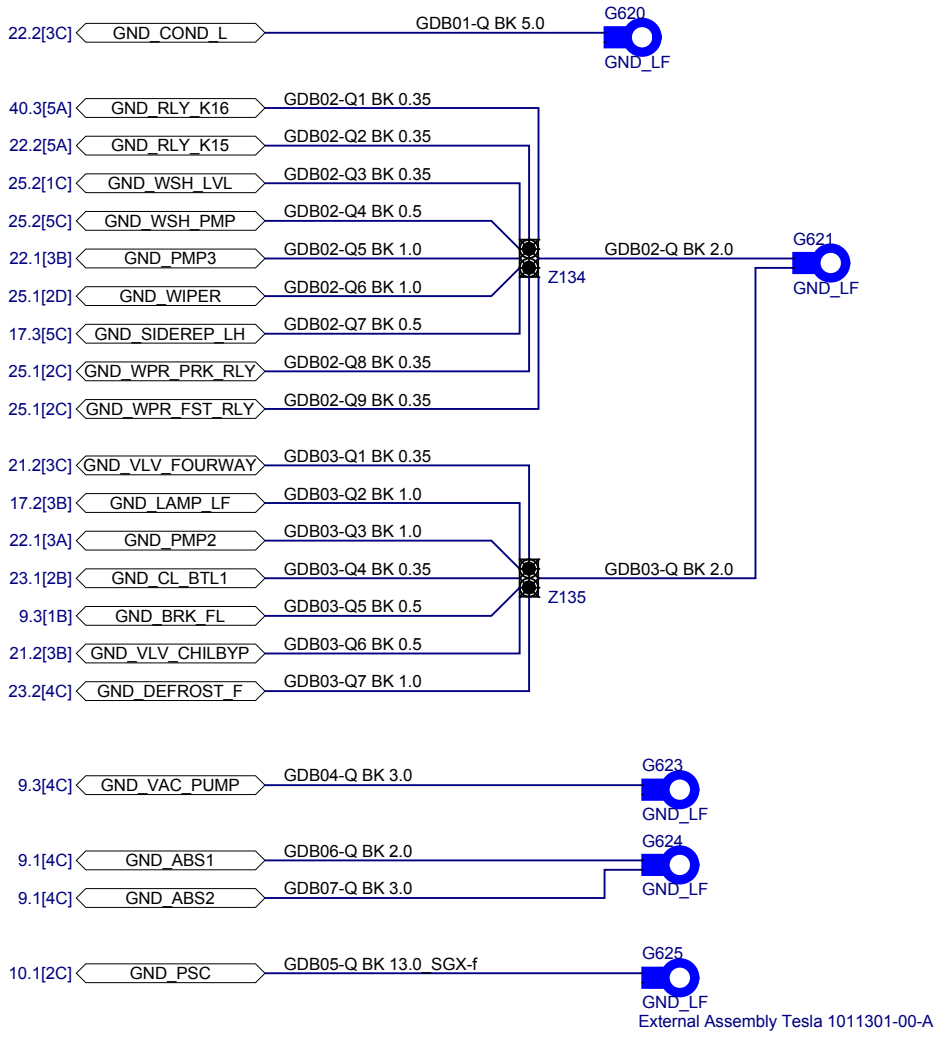
ITEM NO. 1004573-00-D REVISION: 09 (final) DATE: 5/13/2014

DO NOT SCALE

SHEET 42.1

THE INFORMATION CONTAINED HEREIN IS DEEMED TO BE CONFIDENTIAL, PROPRIETARY, AND A TRADE SECRET OF TESLA MOTORS. THIS INFORMATION MAY NOT BE USED, REPRODUCED, OR DISCLOSED AS THE DIRECT OR INDIRECT BASIS FOR THE DEVELOPMENT, MANUFACTURE, OR SALE OF PROCESSES OR PRODUCTS WITHOUT THE EXPRESSED WRITTEN CONSENT OF TESLA MOTORS.

LF Ground Point - Forward of Wheel

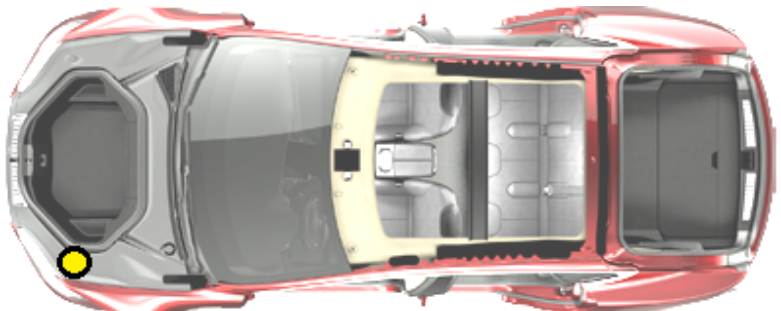


A

B

C

D



PROJECT NAME: Model S Wiring Diagram: LHD PHASE: SOP(2012)

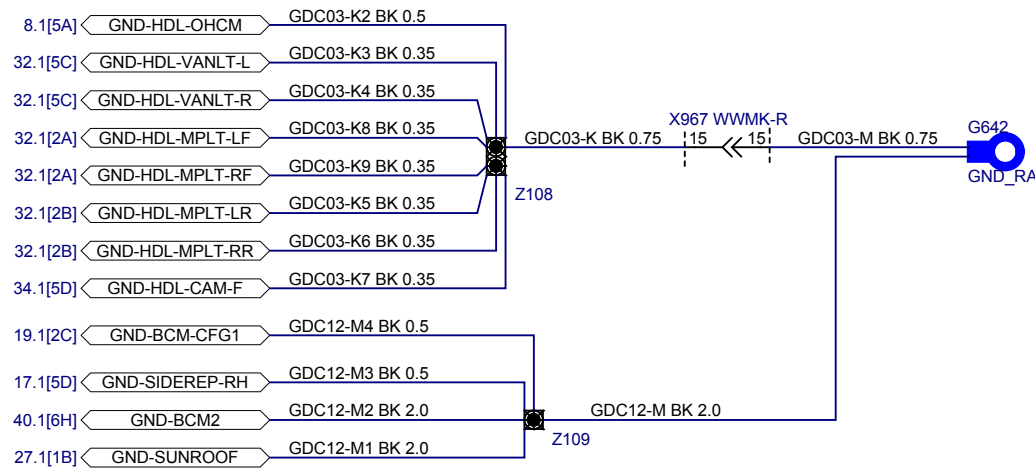
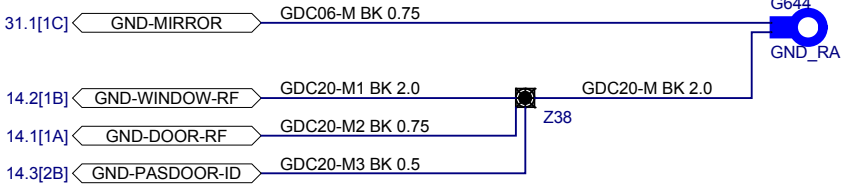
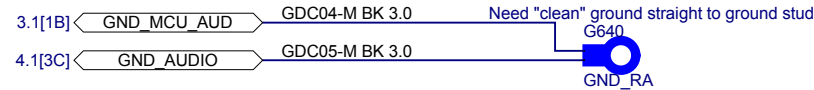
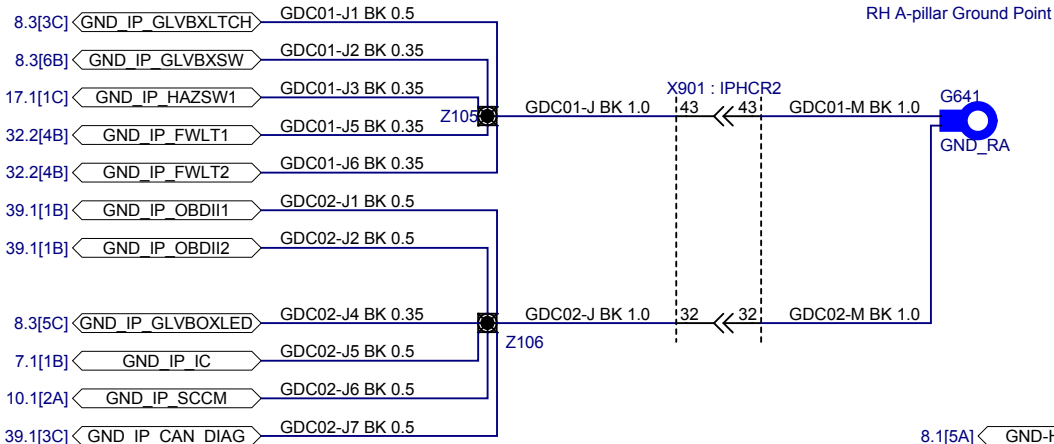
SHEET NAME: Ground Distribution - Left Front

ITEM NO. 1004573-00-D REVISION: 09 (final) DATE: 5/13/2014

DO NOT SCALE

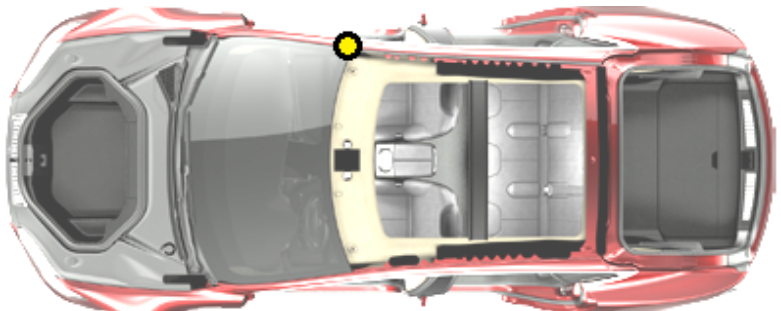
SHEET 42.2

THE INFORMATION CONTAINED HEREIN IS DEEMED TO BE CONFIDENTIAL, PROPRIETARY, AND A TRADE SECRET OF TESLA MOTORS. THIS INFORMATION MAY NOT BE USED, REPRODUCED, OR DISCLOSED AS THE DIRECT OR INDIRECT BASIS FOR THE DEVELOPMENT, MANUFACTURE, OR SALE OF PROCESSES OR PRODUCTS WITHOUT THE EXPRESSED WRITTEN CONSENT OF TESLA MOTORS.



MAIN Body Harness

RIGHT Body Harness

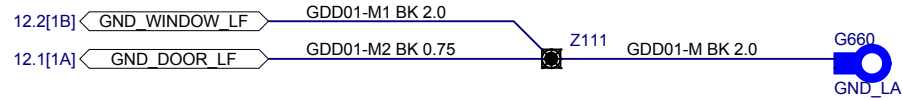


PROJECT NAME: Model S Wiring Diagram: LHD		PHASE: SOP(2012)
SHEET NAME: Ground Distribution - RHS A-Pillar		
ITEM NO. 1004573-00-D	REVISION: 09 (final)	DATE: 5/13/2014
DO NOT SCALE		SHEET 42.3

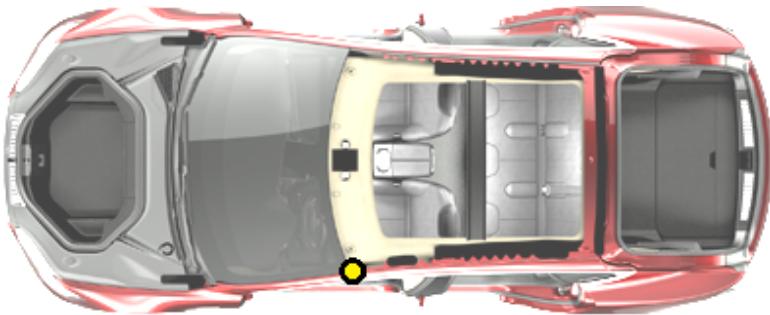
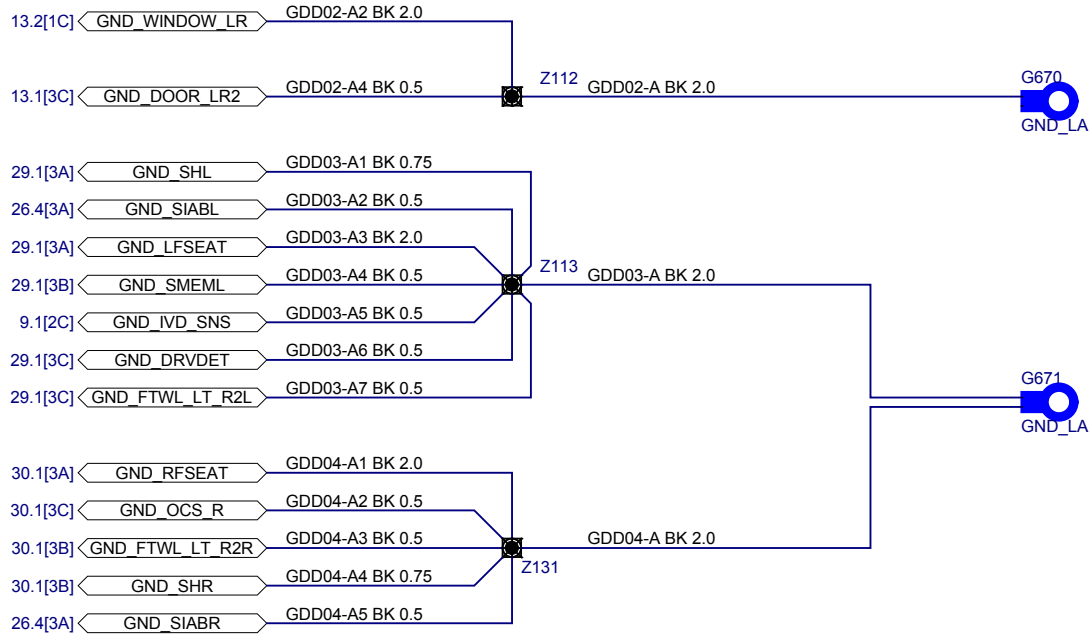
THE INFORMATION CONTAINED HEREIN IS DEEMED TO BE CONFIDENTIAL, PROPRIETARY, AND A TRADE SECRET OF TESLA MOTORS. THIS INFORMATION MAY NOT BE USED, REPRODUCED, OR DISCLOSED AS THE DIRECT OR INDIRECT BASIS FOR THE DEVELOPMENT, MANUFACTURE, OR SALE OF PROCESSES OR PRODUCTS WITHOUT THE EXPRESSED WRITTEN CONSENT OF TESLA MOTORS.

LH A-pillar Ground Point

MAIN Body Harness



LEFT Body Harness



PROJECT NAME: Model S Wiring Diagram: LHD PHASE: SOP(2012)

SHEET NAME: Ground Distribution - LHS A-pillar

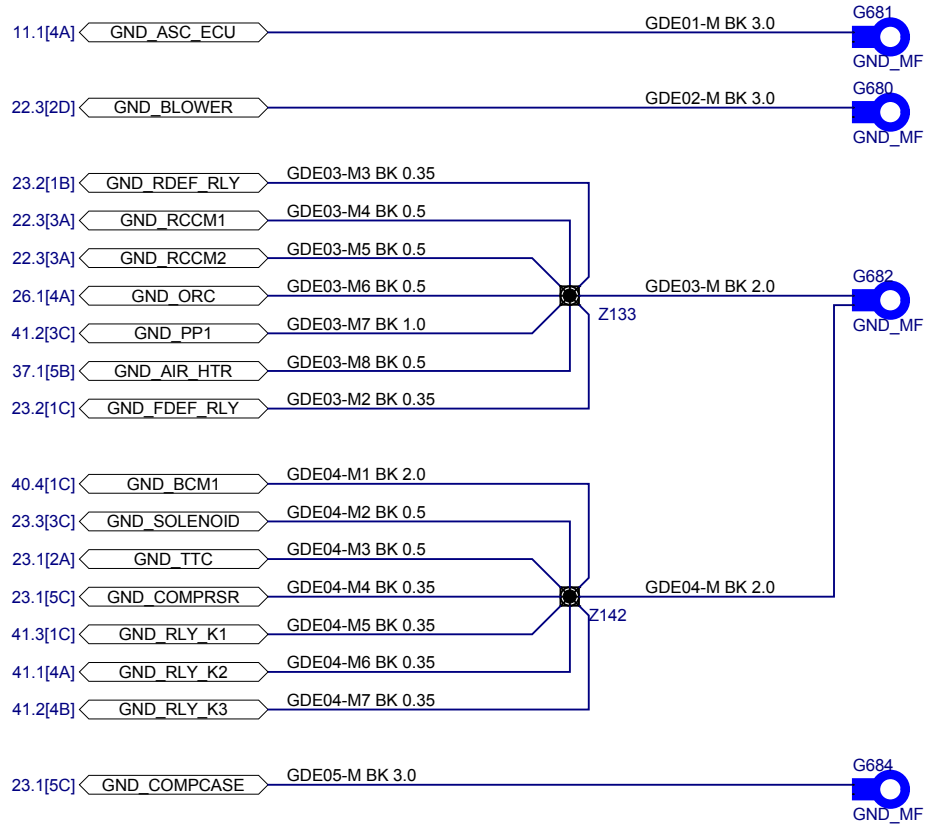
ITEM NO. 1004573-00-D REVISION: 09 (final) DATE: 5/13/2014

DO NOT SCALE

SHEET 42.4

THE INFORMATION CONTAINED HEREIN IS DEEMED TO BE CONFIDENTIAL, PROPRIETARY, AND A TRADE SECRET OF TESLA MOTORS. THIS INFORMATION MAY NOT BE USED, REPRODUCED, OR DISCLOSED AS THE DIRECT OR INDIRECT BASIS FOR THE DEVELOPMENT, MANUFACTURE, OR SALE OF PROCESSES OR PRODUCTS WITHOUT THE EXPRESSED WRITTEN CONSENT OF TESLA MOTORS.

Middle Ground Point



A

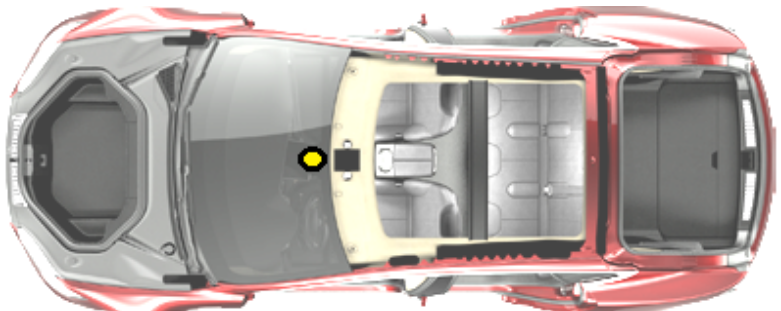
A

B

B

C

C



D

D



PROJECT NAME: Model S Wiring Diagram: LHD PHASE: SOP(2012)

SHEET NAME: Ground Distribution - Lower Center Stack

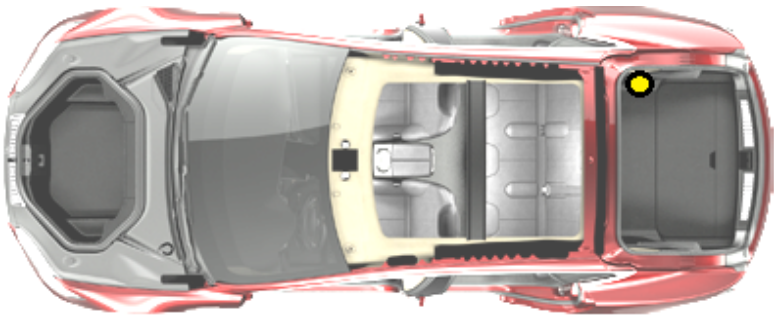
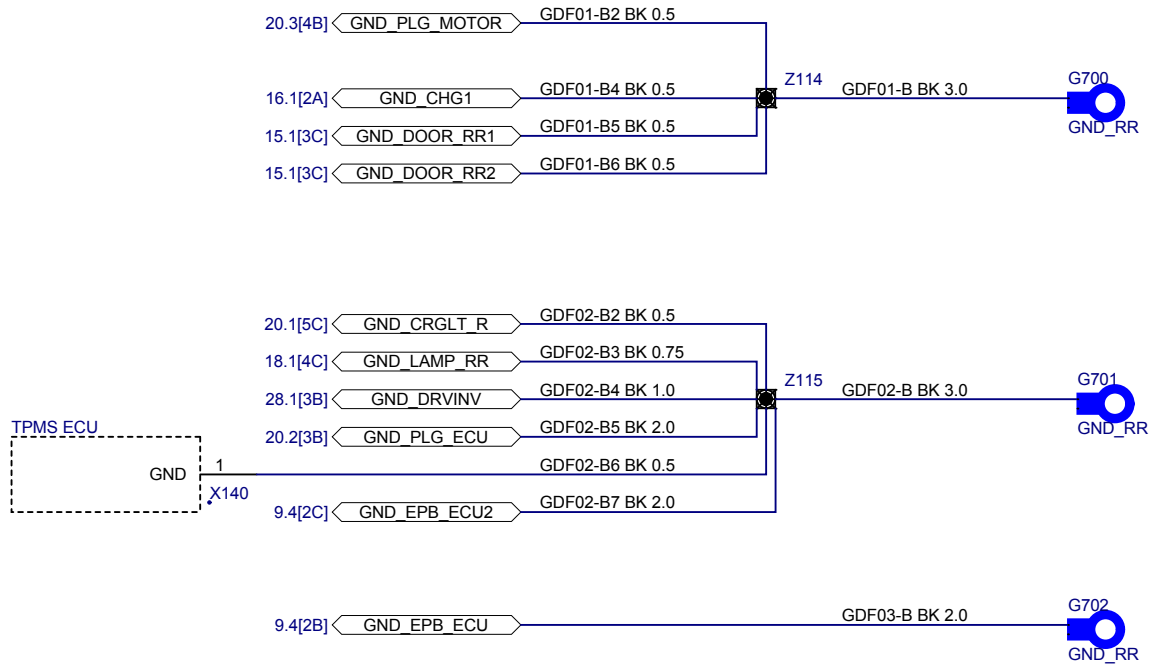
ITEM NO. 1004573-00-D REVISION: 09 (final) DATE: 5/13/2014

DO NOT SCALE

SHEET 42.5

THE INFORMATION CONTAINED HEREIN IS DEEMED TO BE CONFIDENTIAL, PROPRIETARY, AND A TRADE SECRET OF TESLA MOTORS. THIS INFORMATION MAY NOT BE USED, REPRODUCED, OR DISCLOSED AS THE DIRECT OR INDIRECT BASIS FOR THE DEVELOPMENT, MANUFACTURE, OR SALE OF PROCESSES OR PRODUCTS WITHOUT THE EXPRESSED WRITTEN CONSENT OF TESLA MOTORS.

RR Ground Point - Behind Wheel



TESLA

PROJECT NAME: Model S Wiring Diagram: LHD PHASE: SOP(2012)

SHEET NAME: Ground Distribution - Right Rear

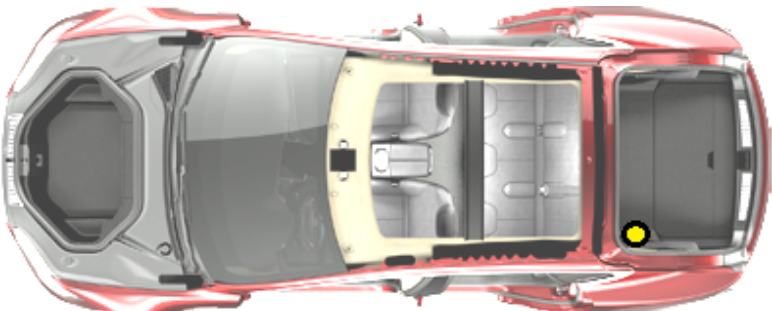
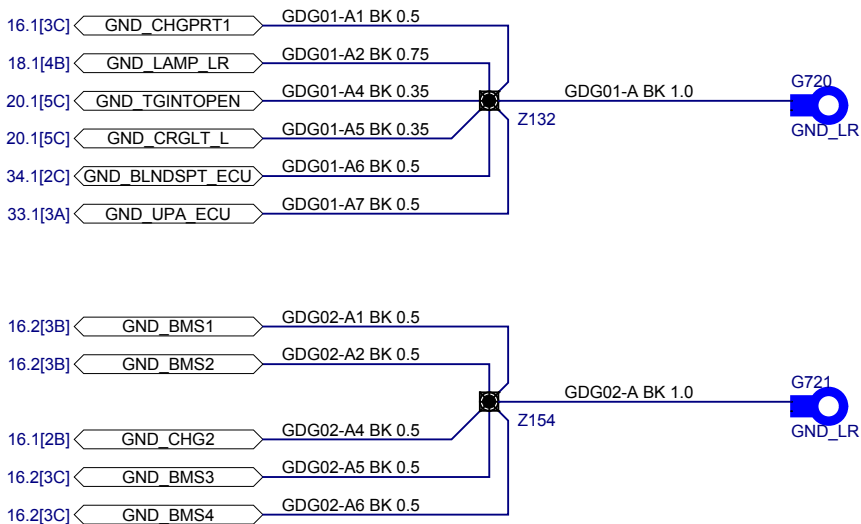
ITEM NO. 1004573-00-D REVISION: 09 (final) DATE: 5/13/2014

DO NOT SCALE

SHEET 42.6

THE INFORMATION CONTAINED HEREIN IS DEEMED TO BE CONFIDENTIAL, PROPRIETARY, AND A TRADE SECRET OF TESLA MOTORS. THIS INFORMATION MAY NOT BE USED, REPRODUCED, OR DISCLOSED AS THE DIRECT OR INDIRECT BASIS FOR THE DEVELOPMENT, MANUFACTURE, OR SALE OF PROCESSES OR PRODUCTS WITHOUT THE EXPRESSED WRITTEN CONSENT OF TESLA MOTORS.

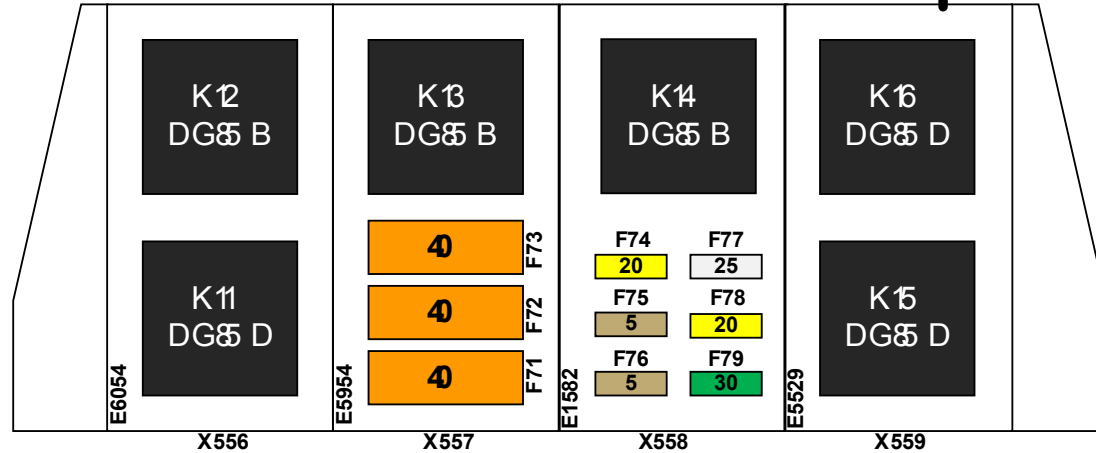
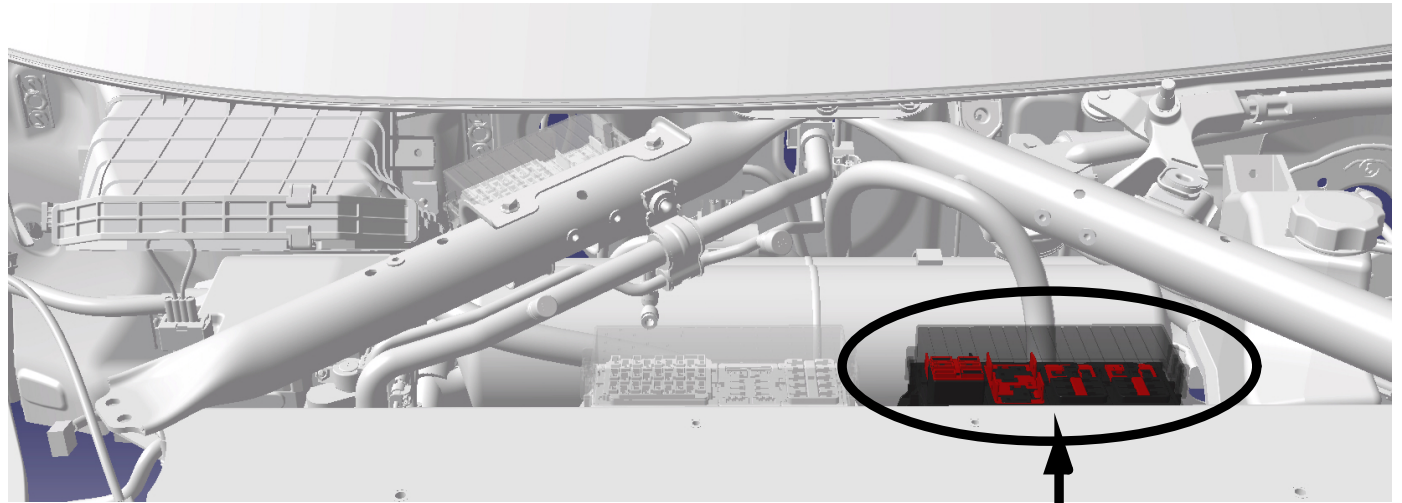
LR Ground Point - Behind Wheel



PROJECT NAME: Model S Wiring Diagram: LHD		PHASE: SOP(2012)	
SHEET NAME: Ground Distribution - Left Rear			
ITEM NO. 1004573-00-D	REVISION: 09 (final)	DATE: 5/13/2014	
DO NOT SCALE		SHEET 42.7	

THE INFORMATION CONTAINED HEREIN IS DEEMED TO BE CONFIDENTIAL, PROPRIETARY, AND A TRADE SECRET OF TESLA MOTORS. THIS INFORMATION MAY NOT BE USED, REPRODUCED, OR DISCLOSED AS THE DIRECT OR INDIRECT BASIS FOR THE DEVELOPMENT, MANUFACTURE, OR SALE OF PROCESSES OR PRODUCTS WITHOUT THE EXPRESSED WRITTEN CONSENT OF TESLA MOTORS.

- K11 Air Suspension Compressor
- K12 Vacuum Pump
- K13 Wiper Park Function
- K14 Wiper Fast Function
- K15 Condenser Fan Power
- K16 Drive Switched Power
- F71 Condenser Fan, Left
- F72 Condenser Fan, Right
- F73 Vacuum Pump
- F74 12V Drive Rail, Cabin
- F75 Power Steering Logic - IGN
- F76 ABS Logic - IGN
- F77 Stability Control Valves
- F78 Headlight Dip/Main Beam
- F79 Lighting (Exterior/Interior)



Assembly AEES R65330-001-A (fuses and relays separate)

4-Module Top Cover

Y5

4-Module Bottom Cover

Y6



PROJECT NAME: Model S Wiring Diagram: LHD PHASE: SOP(2012)

SHEET NAME: Front Fusebox Layout

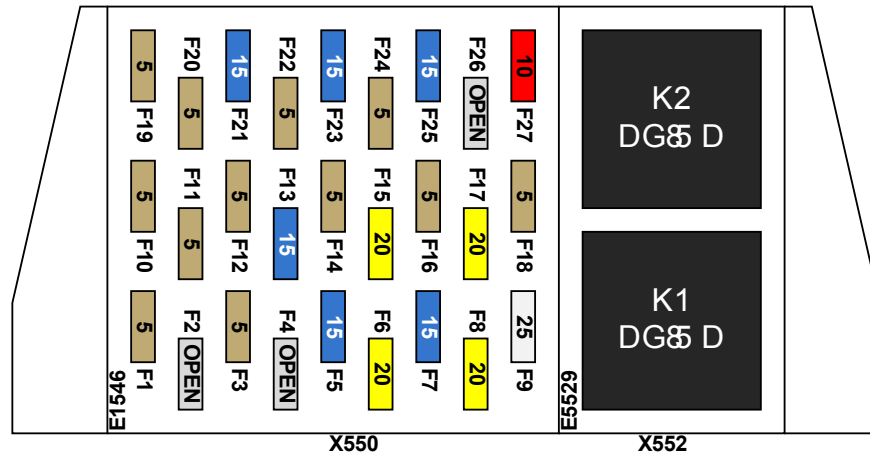
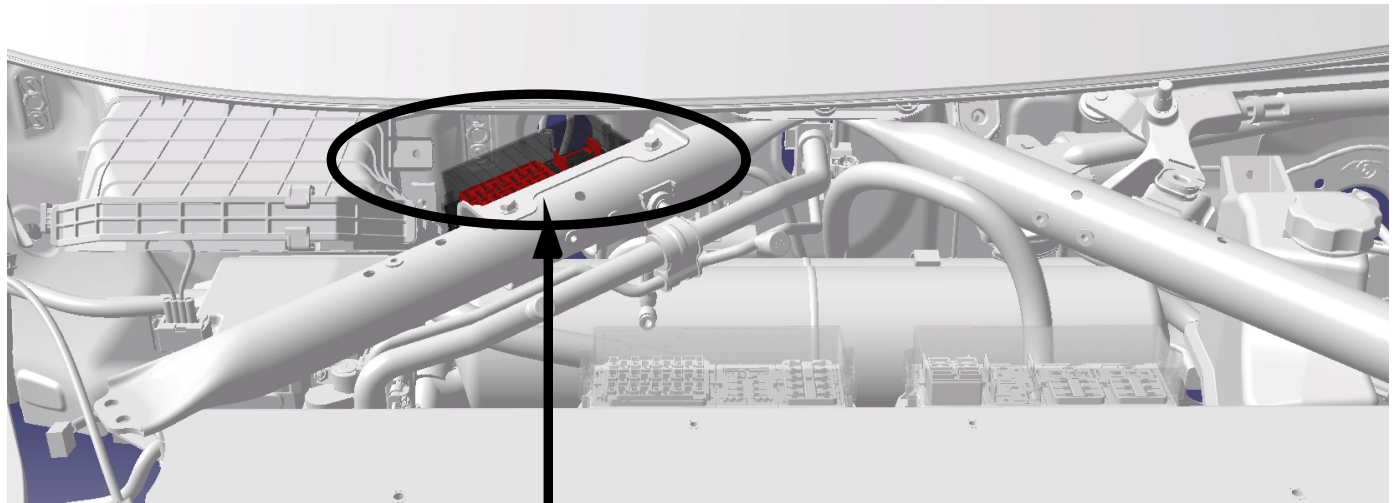
ITEM NO. 1004573-00-D REVISION: 09 (final) DATE: 5/13/2014

DO NOT SCALE

SHEET 44.1

THE INFORMATION CONTAINED HEREIN IS DEEMED TO BE CONFIDENTIAL, PROPRIETARY, AND A TRADE SECRET OF TESLA MOTORS. THIS INFORMATION MAY NOT BE USED, REPRODUCED, OR DISCLOSED AS THE DIRECT OR INDIRECT BASIS FOR THE DEVELOPMENT, MANUFACTURE, OR SALE OF PROCESSES OR PRODUCTS WITHOUT THE EXPRESSED WRITTEN CONSENT OF TESLA MOTORS.

- F1 ACC sense, Radio, USB Hub
- F2 not used
- F3 Vanity Lights, Rear View Mirror
- F4 not used
- F5 Seat Heater, Driver
- F6 Base Audio Amplifier
- F7 Seat Heater, Front Passenger
- F8 Premium Audio Amplifier
- F9 Panoramic Sunroof
- F10 Passive Safety Restraints
- F11 Steering Column Controls
- F12 Drive Sense / Yaw Sensor
- F13 Wiper Park
- F14 Drive Inverter
- F15 Electric Park Brake
- F16 not used
- F17 Electric Park Brake
- F18 not used
- F19 HVAC In-car sensor
- F20 Cabin Air Heater Logic
- F21 Coolant Pump 2
- F22 Inlet Actuators
- F23 Coolant Pump 3
- F24 Cabin Climate Control
- F25 Coolant Pump 1
- F26 not used
- F27 Thermal Controller
- K1 ACC Power Switch
- K2 HVAC Power Switch



Assembly AEES R65328-001-A (fuses and relays separate)

3-Module Top Cover

Y1

3-Module Bottom Cover

Y2

TESLA

PROJECT NAME: Model S Wiring Diagram: LHD PHASE: SOP(2012)

SHEET NAME: "Cabin" Fusebox 1 Layout

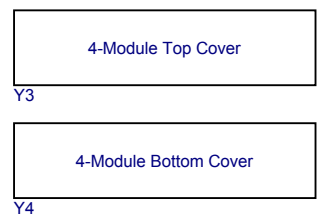
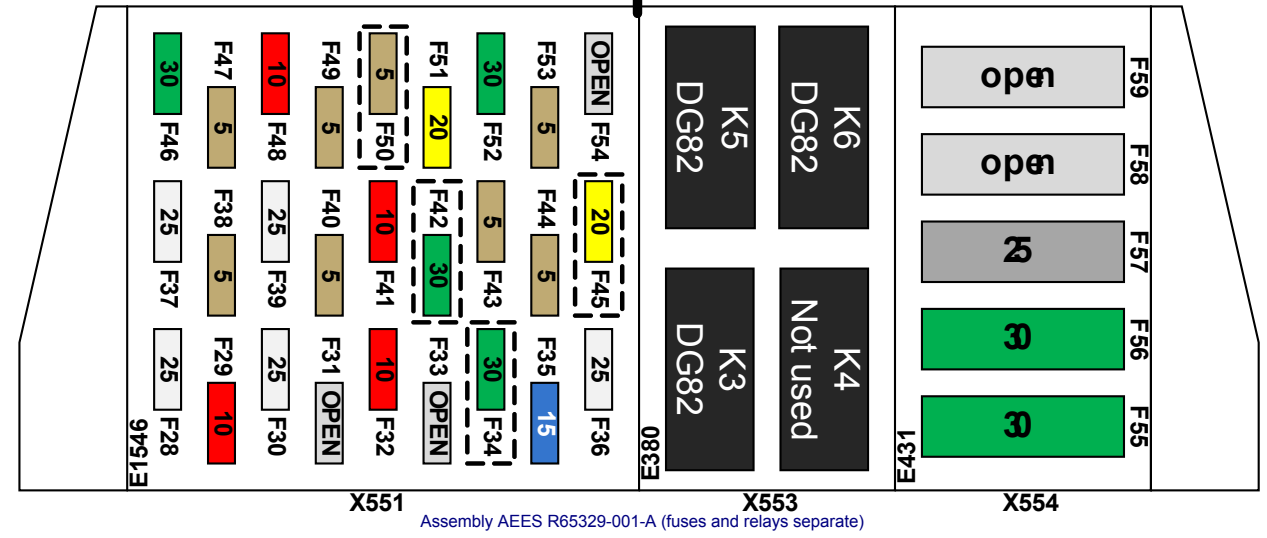
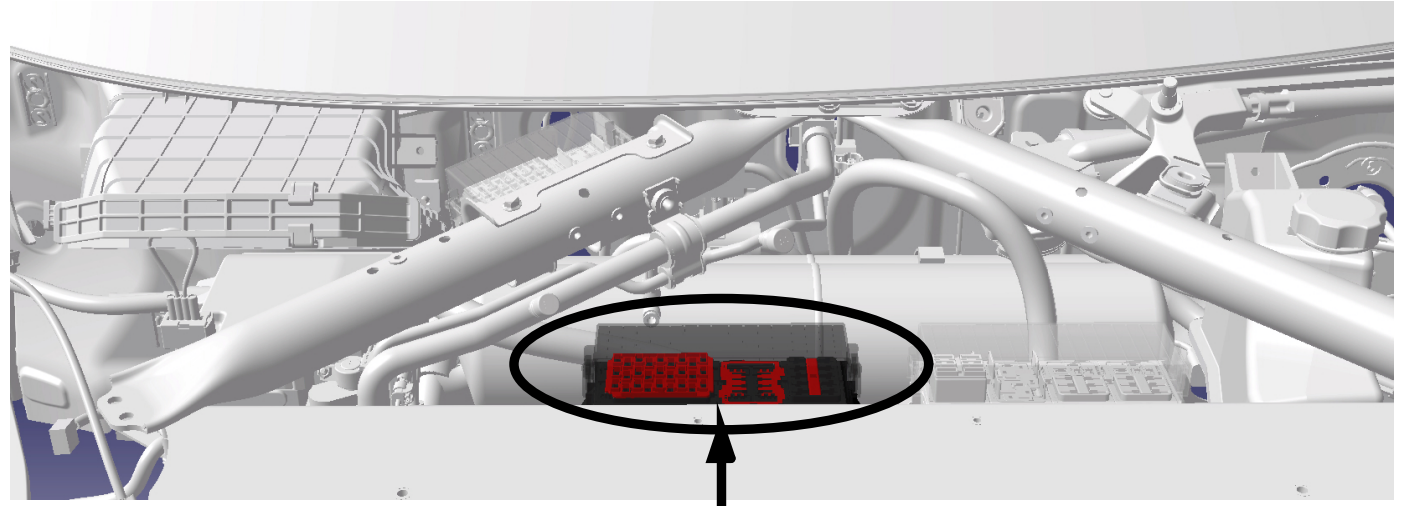
ITEM NO. 1004573-00-D REVISION: 09 (final) DATE: 8/13/2014

DO NOT SCALE

SHEET 44.2

THE INFORMATION CONTAINED HEREIN IS DEEMED TO BE CONFIDENTIAL, PROPRIETARY, AND A TRADE SECRET OF TESLA MOTORS. THIS INFORMATION MAY NOT BE USED, REPRODUCED, OR DISCLOSED AS THE DIRECT OR INDIRECT BASIS FOR THE DEVELOPMENT, MANUFACTURE, OR SALE OF PROCESSES OR PRODUCTS WITHOUT THE EXPRESSED WRITTEN CONSENT OF TESLA MOTORS.

- F28 Window Lift Motor, Right Rear
- F29 Contactor Power
- F30 Window Lift Motor, Right Front
- F31 not used
- F32 Door Controls, Right Side
- F33 not used
- F34 not used
- F35 12V Accessory Outlet
- F36 Air Suspension Ctrl, Valves
- F37 Window Lift Motor, Left Rear
- F38 Driver's Seat Memory
- F39 Window Lift Motor, Left Front
- F40 Rear Door Handles
- F41 Door Controls, Left Side
- F42 Power Liftgate
- F43 Perm. Power Sense, Brake Sw.
- F44 Charger, Charge Port
- F45 Passive Entry, Horns
- F46 Body Controls, Group 2
- F47 Glove Box Light
- F48 Body Controls, Group 1
- F49 Instrument Cluster
- F50 not used
- F51 Touchscreen
- F52 Heated rear window
- F53 Battery Management System
- F54 not used
- F55 Left Front Electric Seat
- F56 Right Front Electric Seat
- F57 Cabin Fan
- F58 not connected
- F59 not connected
- K3 12V Outlet Switch
- K4 not connected
- K5 Rear Defrost Grid
- K6 Front Defrost Grid



TESLA

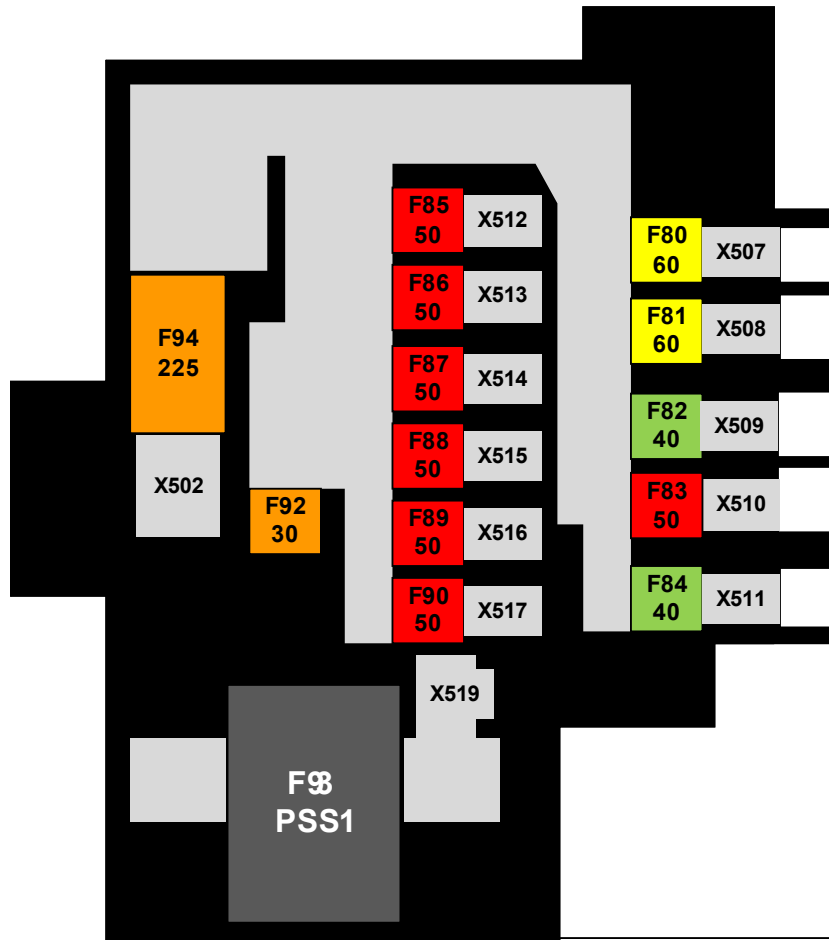
PROJECT NAME: Model S Wiring Diagram: LHD PHASE: SOP(2012)

SHEET NAME: "Cabin" Fusebox 2 Layout

ITEM NO. 1004573-00-D REVISION: 09 (final) DATE: 5/13/2014

DO NOT SCALE SHEET 44.3

THE INFORMATION CONTAINED HEREIN IS DEEMED TO BE CONFIDENTIAL, PROPRIETARY, AND A TRADE SECRET OF TESLA MOTORS. THIS INFORMATION MAY NOT BE USED, REPRODUCED, OR DISCLOSED AS THE DIRECT OR INDIRECT BASIS FOR THE DEVELOPMENT, MANUFACTURE, OR SALE OF PROCESSES OR PRODUCTS WITHOUT THE EXPRESSED WRITTEN CONSENT OF TESLA MOTORS.



Loc.	Description / Function	Type	Des.
F80	Power Steering	MIDI	X507
F81	Condenser Fans Master Fuse	MIDI	X508
F82	Air Suspension Compressor	MIDI	X509
F83	Jump Post	MIDI	X510
F84	ABS Motor	MIDI	X511
F85	Drive 12V Power Master Fuse	MIDI	X512
F86	ACC 12V Bus Master Fuse	MIDI	X513
F87	Permanent Power Group 1	MIDI	X514
F88	Permanent Power Group 2	MIDI	X515
F89	Permanent Power Group 3	MIDI	X516
F90	HVAC 12V Bus Master Fuse	MIDI	X517
F92	Contactor Power	MIDI	X503
F93	BDS: Contactor Power Cutoff	PSS1	X519
F94	Battery-DCDC Master Fuse	MEGA	X502

TESLA

PROJECT NAME: Model S Wiring Diagram: LHD PHASE: SOP(2012)

SHEET NAME: Battery-Mounted Fusebox Layout

ITEM NO. 1004573-00-D REVISION: 09 (final) DATE: 5/13/2014

DO NOT SCALE

SHEET 44.4

THE INFORMATION CONTAINED HEREIN IS DEEMED TO BE CONFIDENTIAL, PROPRIETARY, AND A TRADE SECRET OF TESLA MOTORS. THIS INFORMATION MAY NOT BE USED, REPRODUCED, OR DISCLOSED AS THE DIRECT OR INDIRECT BASIS FOR THE DEVELOPMENT, MANUFACTURE, OR SALE OF PROCESSES OR PRODUCTS WITHOUT THE EXPRESSED WRITTEN CONSENT OF TESLA MOTORS.